



# SURGICAL INSTRUMENTS

Manufacturer & Exporter of Quality Instruments



[www.softtechsurgical.com](http://www.softtechsurgical.com)

SOFT TECH Surgical has been manufacturing and distributing high quality surgical & dental instrument of all kind. Over these years, SOFT TECH Surgical established its name for excellence, world over. SOFT TECH Surgical is one of the leading manufacturer and exporter of Surgical Instruments in Sialkot Pakistan, now.

SOFT TECH Surgical has been continuously adding new developments to its production line to facilitate its valued clients to get all their required instruments from the same house.

This General Surgery Catalogue contains our latest development. Esthetic business is expanding globally, to fulfil its needs we have developed a comprehensive range of General Surgery instruments. This instrument range has the same high quality and working precision for which SOFT TECH Surgical is Known.

SOFT TECH Surgical's production team follows the quality standards required by different countries of the world. These includes ISO 9001-2015, ISO 13485-2016, cGMP, FDA, CE 93/42/EEC, CE from Europe, CE from UK.

Management at SOFT TECH Surgical has always been thinking of new and better ways to meet customer requirement and satisfaction. We endeavor to come up to our customer's satisfaction through quality, efficiency, reliability, competitive price and in time delivery.

To know us more and completely, please visit our web [www.softtechsurgical.com](http://www.softtechsurgical.com) we are always at your service.



SOFT TECH  
SURGICAL



27

Wire Extension  
Hand Drills  
& Awls

SOFT TECH Surgical, Manufacturer & Exporter of Quality Instruments



**27-0102**  
Extension piece only

**27-0101**  
Brace only

**HUDSON DRILL**  
**27-0100**  
Hand drill complete,  
consisting of:  
**27-0101** Brace only  
**27-0102** Extension piece  
**27-0103** Burr  
**27-0104** Burr  
**27-0105** Burr  
**27-0106** Burr



**HUDSON  
BURR  
27-0103**  
Ø 9 mm

**HUDSON  
BURR  
27-0104**  
Ø 14 mm

**HUDSON  
BURR  
27-0105**  
16 mm

**HUDSON  
BURR  
27-0106**  
22 mm

**ADSON  
BURR  
27-0107**  
15 mm

**MC KENZIE  
TWIST DRILL  
27-0108**  
13 mm

**CUSHING  
FLAT DRILL  
27-0109**  
14 mm

**TWIST  
DRILL  
27-0110**  
2 mm





HUDSON DOWNS  
BRACE  
27-0120



HUDSON DOWNS  
27-0121  
Extension piece



HUDSON DOWNS  
27-0122  
Ø 10 mm



HUDSON DOWNS  
27-0123  
Ø 12 mm



HUDSON DOWNS  
27-0124  
Ø 15 mm



HUDSON DOWNS  
(LEWIS)  
27-0125  
Ø 10 mm



HUDSON DOWNS  
(LEWIS)  
27-0126  
Ø 12 mm



HUDSON DOWNS  
(LEWIS)  
27-0127  
Ø 15 mm



HUDSON DOWNS  
27-0128  
Ø 11 mm



HUDSON DOWNS  
27-0129  
Ø 13 mm



HUDSON DOWNS  
27-0130  
Ø 16 mm



HUDSON DOWNS  
27-0131  
Ø 11 mm



HUDSON DOWNS  
27-0132  
Ø 13 mm



HUDSON DOWNS  
27-0133  
Ø 16 mm



HUDSON DOWNS  
27-0134  
Ø 19 mm



HUDSON DOWNS  
27-0135  
Ø 22 mm



MC KENZIE  
27-0136  
Ø 16 mm



MC KENZIE  
27-0137

SOFT TECH Surgical, Manufacturer & Exporter of Quality Instruments



1/2

**CHAMPIONNIERE  
BONE DRILL**  
**27-0140**  
170 mm



1/2

**REAMER, WITH  
2 GROOVES**  
**27-0145**  
150 mm



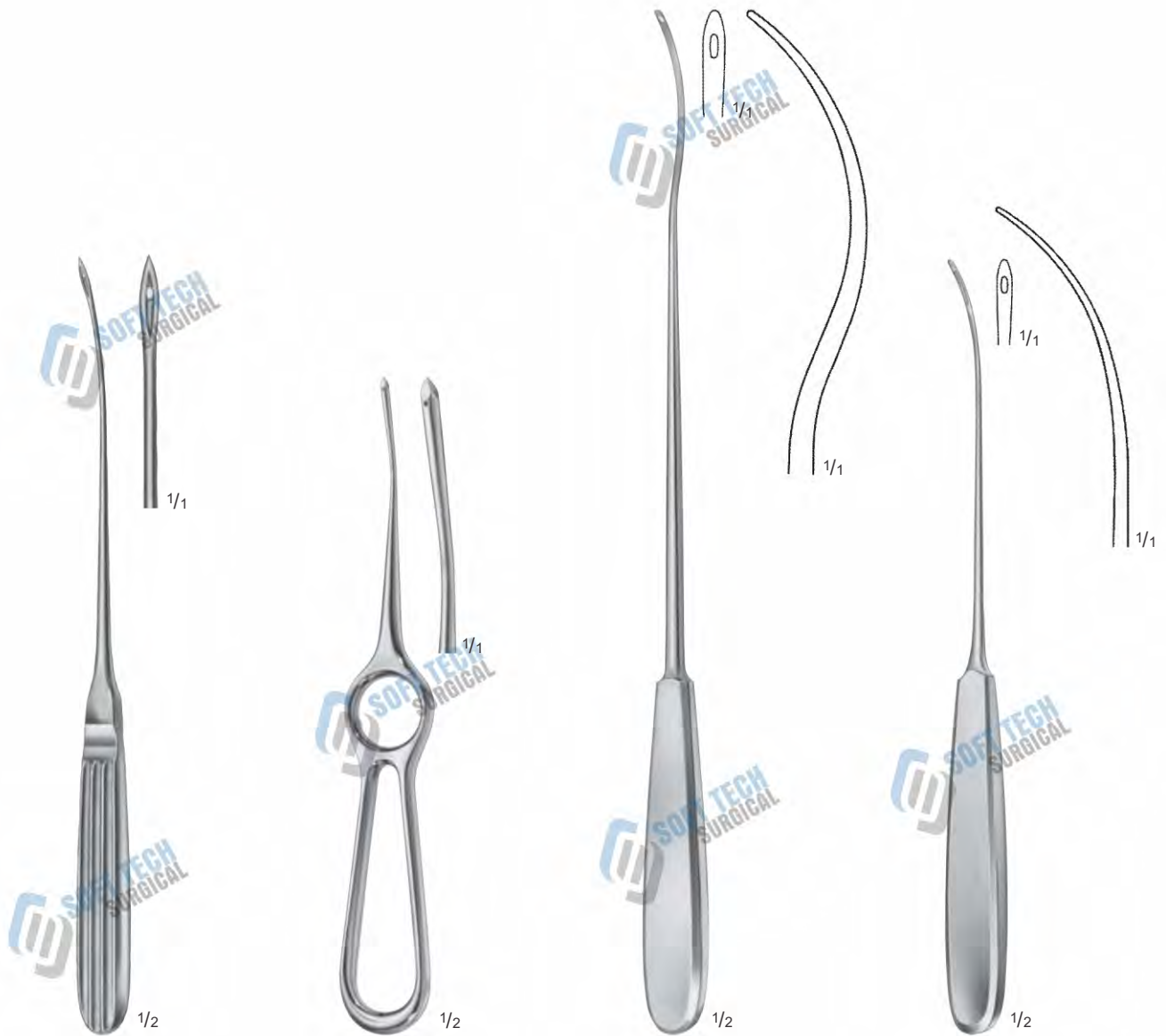
1/2

**REAMER (Awl)**  
**27-0150**  
180 mm



1/2

**PERTHES REAMER**  
**27-0155**  
215 mm



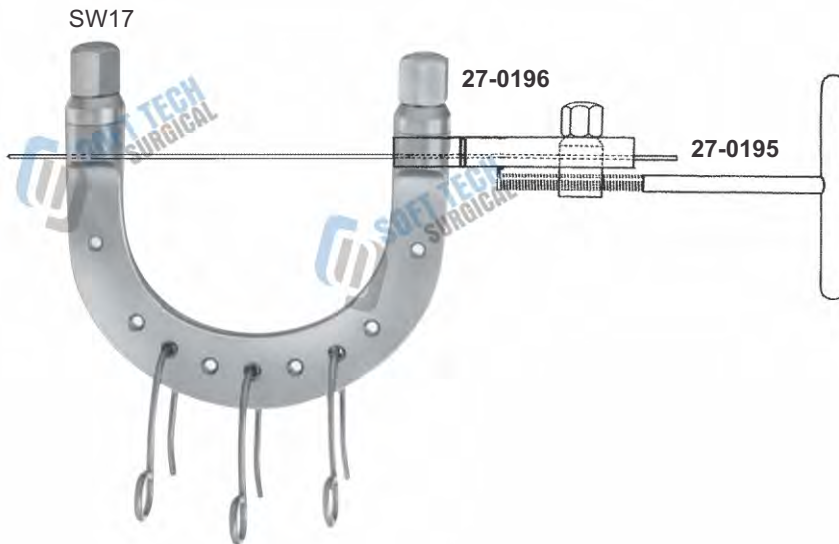
**OBWEGESER AWL**  
**27-0160**  
230 mm

**OBWEGESER LIGATURE**  
**NEEDLE**  
195 mm  
**27-0165**

**BRUNNER LIGATURE**  
**NEEDLE SLIGHTLY**  
**CURVED**  
**27-0170**  
300 mm

**LIGATURE NEEDLE**  
**MALLEABLE**  
**27-0175**  
230 mm

SOFT TECH Surgical, Manufacturer & Exporter of Quality Instruments



Inside dimensions

**KIRSCHNER**

Wire traction bows, to be used with KIRSCHNER-wires up to 2.5 mm diam., with 3 hooks, stainless steel

	Width	Depth	
<b>27-0180</b>	200 mm	155 mm	for the hip
<b>27-0181</b>	155 mm	155 mm	for the femur
<b>27-0182</b>	135 mm	130 mm	for the knee
<b>27-0183</b>	120 mm	120 mm	for the knee
<b>27-0184</b>	105 mm	100 mm	for the knee
<b>27-0185</b>	95 mm	110 mm	for the calcaneus for
<b>27-0186</b>	95 mm	70 mm	the arm and elbow



**27-0190**

Wrench, double-ended, for wire traction bows 27-211 - 27-242



**27-0195**

Wire tightener with clamping jaws



**27-192**

Traction hook only, large size



**27-0193**

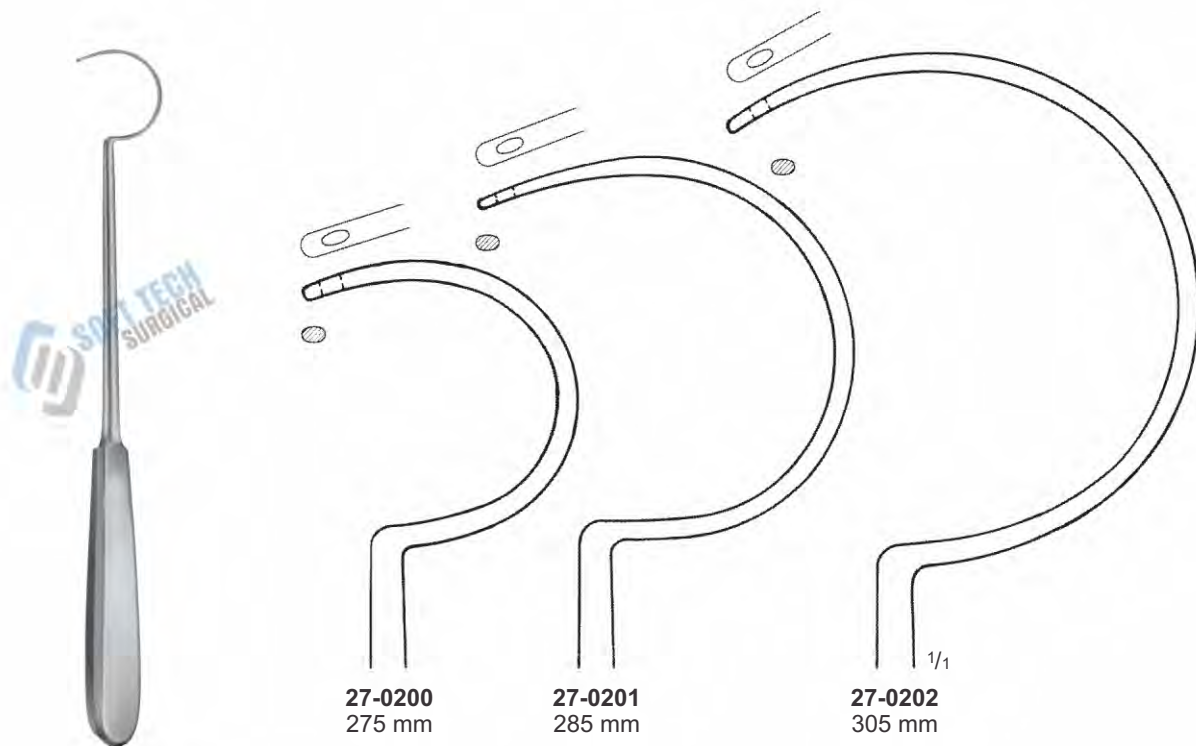
Traction hook only, small size



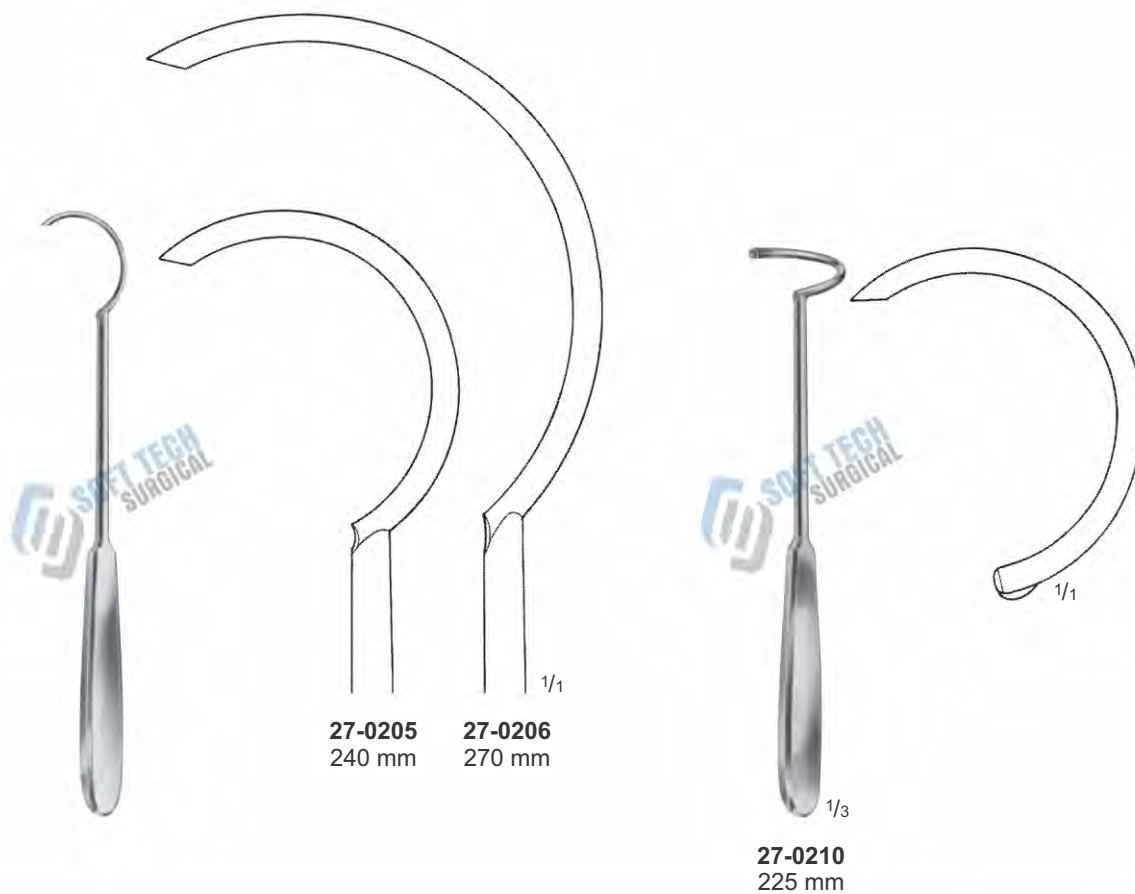
**27-0196**

Fixation clamp, to secure clamping jaw of **27-0195**, stainless steel





DEMEL WIRE GUIDES



SOFT TECH Surgical, Manufacturer & Exporter of Quality Instruments



TC WIRE  
TWISTER  
27-0215  
150 mm



TC WIRE  
TWISTER  
27-0220  
Ligature forceps  
150 mm



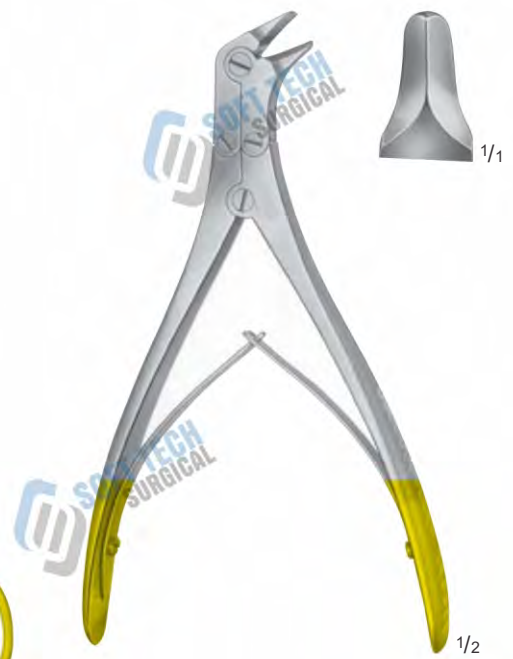
BAUMGARTNER  
WIRE TWISTER  
27-0225  
200 mm



NEEDLEHOLDER  
FOR STERNUM-SUTURE  
27-0230  
175 mm



BERRY  
NEEDLE HOLDER  
27-0235  
185 mm



WIRE CUTTER, SPECIALLY  
HARDENED CUTTING EDGES,  
ANGLED  
27-0240  
slender pattern wire up  
to diam. 0.9 mm , 170 mm



**MARBURG MODELL,  
FLAT NOSED PLIERS**  
**27-0245**  
serrated jaws  
140 mm



**GOSLEE FLAT NOSED PLIERS**  
**27-0250**  
one jaw smooth,  
one jaw serrated  
140 mm



**FLAT NOSED PLIERS, WITH  
SERRATED JAWS**  
**27-0255**  
170 mm



**FLAT NOSED PLIERS**  
**27-0260**  
190 mm



SOFT TECH Surgical, Manufacturer & Exporter of Quality Instruments



EXTRACTION PLIERS FOR  
BORING WIRES



PARALLEL FLAT-NOSE  
PLIERS  
**27-0270**  
185 mm



UTILITY PLIERS, SLIP  
JOINT  
**27-0275**  
195 mm



WISE GRIP  
**27-0280**  
200 mm





Round pliers

ROUND PLIERS



WIRE BENDING PLIERS FOR WIRES  
UPTO 1.8 mm diam  
27-0290



UNIVERSAL SCISSORS  
27-0295  
120 mm  
1.2 mm  
0.6 mm



UNIVERSAL SCISSORS  
27-0300 120 mm  
1.2 mm  
0.8 mm

SOFT TECH Surgical, Manufacturer & Exporter of Quality Instruments



WIRE CUTTER,  
SPECIALLY  
HARDENED CUTTING  
EDGES

**27-0305** 3.0 mm  
235 mm 2.2 mm



HARVEY, WIRE CUTTER,  
ESPECIALLY  
HARDENED CUTTING  
EDGES

**27-0310** 3.0 mm  
235 mm 2.2 mm



WIRE CUTTER  
FRONTAL- AND  
LATERAL CUTTING  
ACTION

**27-0315**  
180 mm  
2.0 mm  
1.5 mm



REILL, WIRE CUTTER,  
SPECIAL HARDENED  
CUTTING EDGES

**27-0320**  
175 mm  
2.0mm  
1.5mm



Wire Cutting Pliers,  
Lateral Cutting Action  
**27-0325**  
145 mm  
1.5 mm  
1.0 mm



Wire Cutting Pliers,  
Lateral Cutting Action  
**27-0330**  
145 mm  
2.0 mm  
1.5 mm



Wire Cutting Pliers,  
Lateral Cutting Action  
**27-0335**  
3.0 mm  
2.0 mm  
220 mm



Wire Cutting Plier  
TC Carbide  
**27-0340**  
CUTTER, tibia head screws,  
bolts, pins,  
470 mm



SOFT TECH Surgical, Manufacturer & Exporter of Quality Instruments



**NAIL EXTRACTING  
FORCEPS**  
**27-0345**  
135 mm



**NAIL SPLITTING  
FORCEPS FOR  
INGROWN NAILS**  
**27-0350**  
130 mm



**SYSTRUNK, NAIL  
SPLITTING SCISSORS,  
INGROWN TOENAILS**  
**27-0355**  
130 mm



**FINGERRINGSAW,  
FINGER RING SAW**  
**27-0360**  
150 mm

**27-0365**  
Spare blade





**SOFT TECH  
SURGICAL**

# **General Surgery**


## **Instruments Catalogue**

### **SOFT TECH Surgical**

Muslim Town, Airport Road  
Kotli Behram, Sialkot 51310  
Pakistan.

Email : [info@softtechsurgical.com](mailto:info@softtechsurgical.com)  
Website : [www.softtechsurgical.com](http://www.softtechsurgical.com)

Phone : +92 52 3573488  
+92 52 3242929  
+92 52 4264934  
Fax : +92 52 3242929

 +92 336 4770459