



SOFT TECH
SURGICAL

21

Cardiovascular
&
Thoracic
Surgery



SOFT TECH Surgical, Manufacturer & Exporter of Quality Instruments



CLIP APPLIER SMALL
21-0100
150 mm



21-0110
25°

21-0111
65°

CLIP APPLIER SMALL
280 mm



21-0105
25°

21-0106
65°

CLIP APPLIER SMALL
200 mm



CLIP APPLIER MEDIUM
21-0115
150 mm



21-0125
25°

21-0126
65°



21-0120
25°

21-0121
65°

CLIP APPLIER MEDIUM
200 mm



CLIP APPLIER MEDIUM
280 mm

SOFT TECH Surgical, Manufacturer & Exporter of Quality Instruments



CLIP APPLIER LARGE MEDIUM
200 mm,

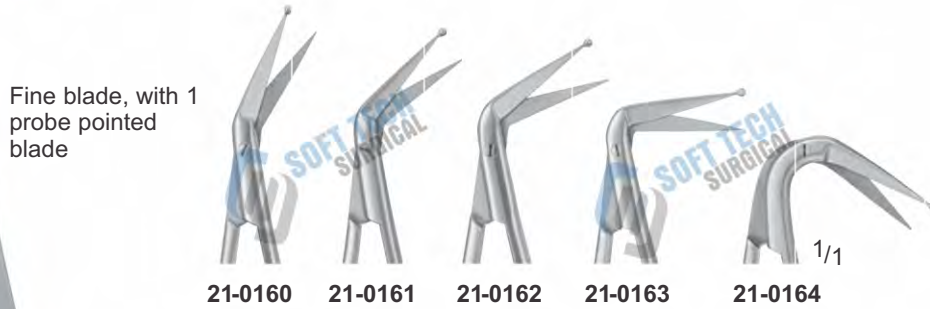
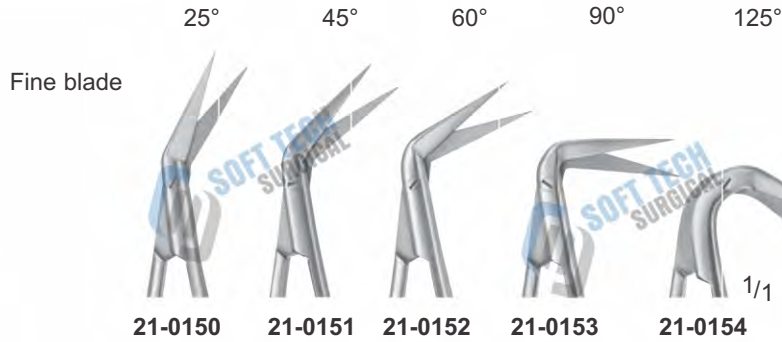


CLIP APPLIER LARGE MEDIUM
280 mm,





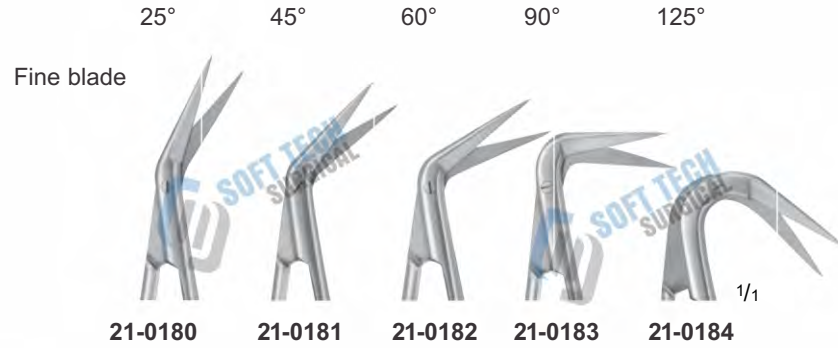
SOFT TECH Surgical, Manufacturer & Exporter of Quality Instruments



MICRO SCISSORS ANGLED
165 mm

General Surgery
Instruments
Micro Scissors spring Type
With Round Handle

SOFT TECH Surgical, Manufacturer & Exporter of Quality Instruments



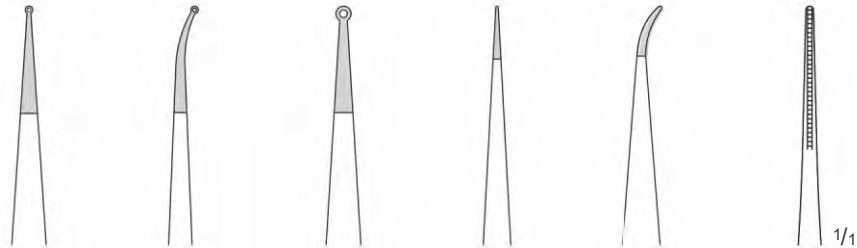
MICRO SCISSORS ANGLED
165 mm

SOFT TECH Surgical, Manufacturer & Exporter of Quality Instruments

Diamond Dust Jaws



1 mm, ring 1 mm, ring 2 mm, ring straight curved 1 mm, DeBaKey tip



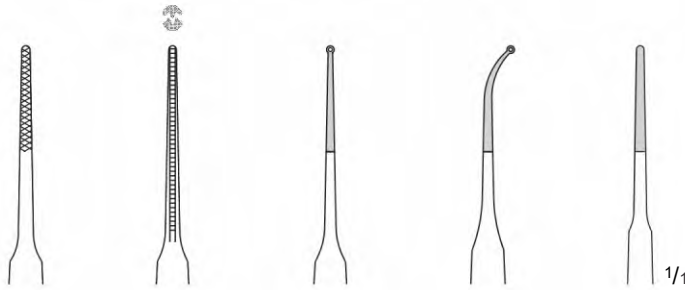
150 mm	21-0210	21-0220	21-0230	21-0240	21-0250	21-0260
185 mm	21-0211	21-0221		21-0241	21-0251	21-0261
210 mm	21-0212	21-0222		21-0242	21-0252	
230 mm	21-0213	21-0223		21-0243	21-0253	
250 mm	21-0214	21-0224				



MICRO RING FORCEPS
WITH COUNTER BALANCE

Diamond Dust Jaws SOFT TECH Surgical, Manufacturer & Exporter of Quality Instruments

1 mm, cross serrated DeBaKey tip 1 mm, ring 1 mm, ring 1 mm,



180 mm	21-0265	21-0270	21-0275	21-0280	21-0285
200 mm	21-0266	21-0270			21-0286
250 mm					

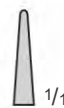
GERALD FORCEPS



180 mm 1/1 200 mm 1/1 250 mm 1/1

SOFT TECH Surgical, Manufacturer & Exporter of Quality Instruments

Diamond Dust Jaws



120 mm **21-0290**

145 mm **21-0300**

160 mm **21-0291** **21-0301**

185 mm **21-0292** **21-0302**

210 mm **21-0293** **21-0303**

230 mm **21-0294** **21-0304**

21-0310



with
ratchet

21-0311

21-0320

21-0312

21-0320



120 mm **21-330**

145 mm **21-0340**

160 mm **21-0331** **21-0341**

185 mm **21-0332** **21-0342**

210 mm **21-0333** **21-0343**

230 mm **21-0334** **21-0344**



without
ratchet

MICRO NEEDLE HOLDER
ROUND HANDLE

General Surgery
Instruments
Micro Needle
Holders With Flat Handles



SOFT TECH Surgical, Manufacturer & Exporter of Quality Instruments
Diamond Dust Jaws



MICRO NEEDLE HOLDER
FLAT HANDLE



with ratchet



- 145 mm **21-0350**
- 185 mm **21-0351**
- 210 mm **21-0352**
- 230 mm **21-0353**



without ratchet



- 145 mm **21-0355**
- 185 mm **21-0356**
- 210 mm **21-0357**
- 230 mm **21-0358**

SOFT TECH Surgical, Manufacturer & Exporter of Quality Instruments

Diamond Dust Jaws



GLASSER MICRO
NEEDLE HOLDER WITH CATCH
21-0360
125 mm



GLASSER MICRO
NEEDLE HOLDER WITH CATCH
21-0365
180 mm

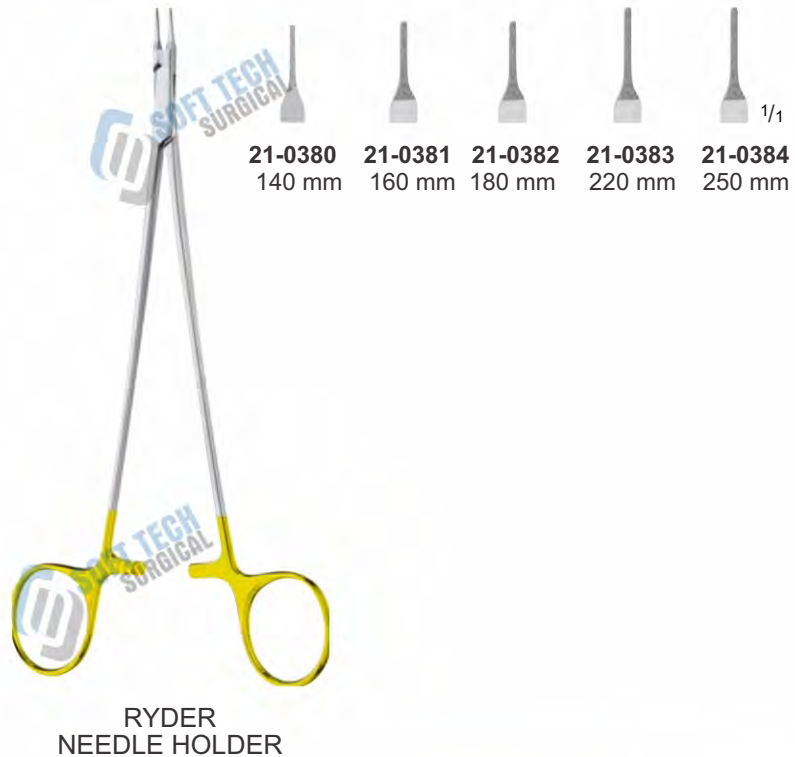
SOFT TECH Surgical, Manufacturer & Exporter of Quality Instruments
Diamond Dust Jaws



MICRO NEEDLE
HOLDER WITH RATCHET
21-0370
210 mm



MICRO NEEDLE
HOLDER WITHOUT RATCHET
21-0375
210 mm



RYDER
NEEDLE HOLDER

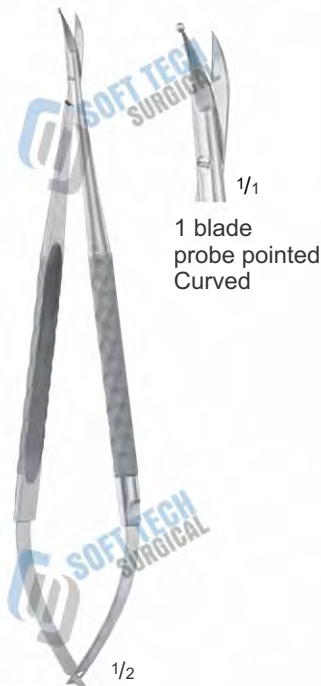
SOFT TECH Surgical, Manufacturer & Exporter of Quality Instruments



MICRO SCISSORS STRAIGHT
21-0385
180 mm



MICRO SPRING FORCEPS
180 mm



Micro scissors
21-0395
180 mm



**SELF-RETAINING
RETRACTOR**
3 x 3 TEETH
SEMI SHARP
21-0400
120 mm



MICRO RING FORCEPS
21-0410
180 mm



MICRO RING FORCEPS
21-0415
185 mm



MICRO TISSUE FORCEP
21-0420
180 mm
Diamond Dust Jaws



MICRO DISSECTING FORCEP
21-0425
180 mm
Diamond Dust Jaws



MICRO NEEDLE HOLDER
180 mm
Diamond Dust Jaws

SOFT TECH Surgical, Manufacturer & Exporter of Quality Instruments



**CASTROVIEJO
NEEDLE HOLDER
STRAIGHT, WITH CATCH
145 mm**



**MICRO NEEDLE HOLDER
STRAIGHT
WITHOUT CATCH
160 mm**



**JACOBSON MICRO
NEEDLE HOLDER
WITHOUT CATCH
180 mm**



**YASARGIL MICRO
NEEDLE HOLDER
STRAIGHT WITH CATCH
21-0455
200 mm**



CASTROVIEJO
NEEDLE
HOLDER SMOOTH JAW
21-0460
145 mm



CASTROVIEJO
NEEDLE HOLDER
21-0461
145 mm



CASTROVIEJO
NEEDLE HOLDER
21-0465
180 mm



CASTROVIEJO
NEEDLE HOLDER
21-0466
215 mm

SOFT TECH Surgical, Manufacturer & Exporter of Quality Instruments



MICRO
NEEDLE HOLDER
ROUND HANDLE
WITH CATCH
21-0470
180 mm



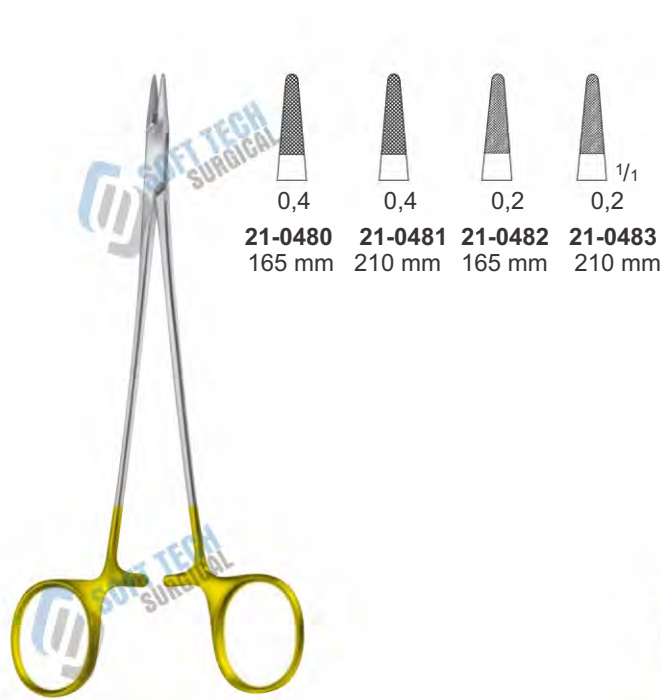
MICRO
NEEDLE HOLDER
ROUND HANDLE
WITH CATCH
21-0471
200 mm,



REIN-KUPKA
NEEDLE HOLDER
ERGONOMIC HANDLE
WITHOUT LOCK
21-0475
190 mm



REIN-KUPKA
NEEDLE HOLDER
ERGONOMIC HANDLE
WITH LOCK
21-0476
190 mm



DE BAKEY
NEEDLE
HOLDER DELICATE



NEEDLE HOLDER
DELICATE



DE BAKEY
NEEDLE HOLDER

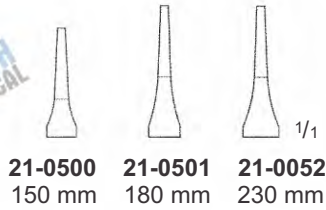


DE BAKEY
NEEDLE HOLDER
ONE EXTENDED HANDLE AND CURVED
RINGS

SOFT TECH Surgical, Manufacturer & Exporter of Quality Instruments



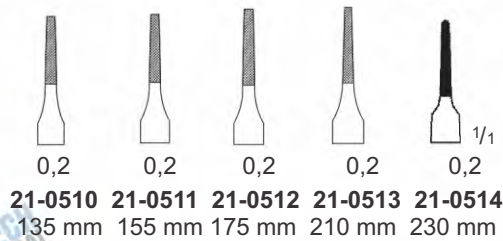
**RYDER
NEEDLE HOLDER
SMOOTH JAW**



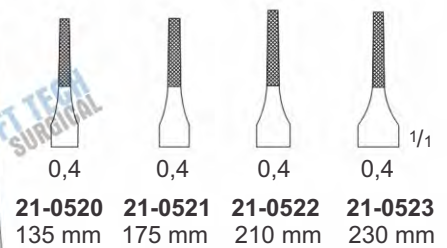
**TC
NEEDLE HOLDER
21-0505
200 mm**

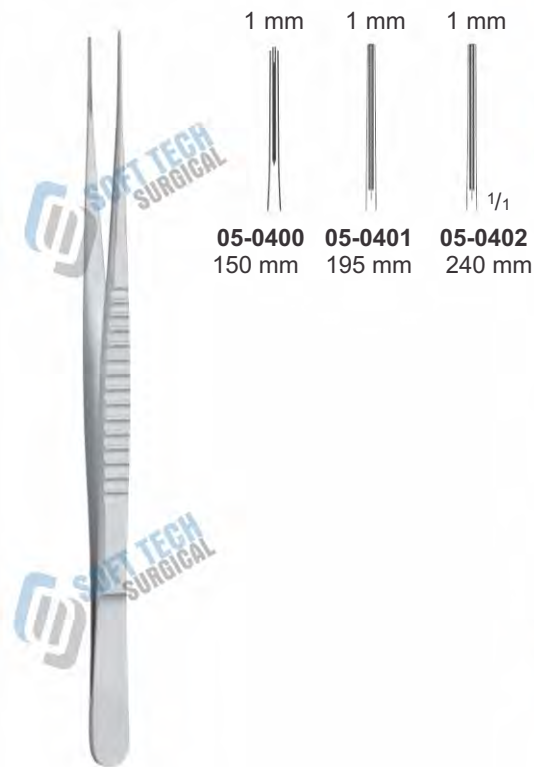


**RYDER
NEEDLE HOLDER
DELICATE**



**RYDER
NEEDLE HOLDER**





DE BAKEY
VASCULAR FORCEPS



DE BAKEY
ATRAUMATA
DISSECTING FORCEPS



DE BAKEY
ATRAUMATA
DISSECTING FORCEPS



DE BAKEY
ATRAUMATA
DISSECTING FORCEPS

SOFT TECH Surgical, Manufacturer & Exporter of Quality Instruments



DE BAKY ATRAUMATA
DISSECTING FORCEPS

COOLEY ATRAUMATIC FORCEPS



DE BAKY ATRAUMATA
DISSECTING FORCEPS
05-0450
150 mm

DE BAKY ATRAUMATA
DISSECTING FORCEPS
05-0455
200 mm

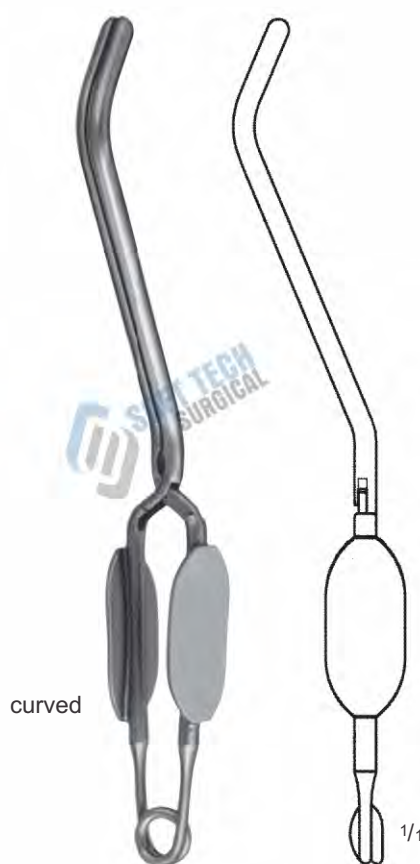
COOLEY DISSECTING FORCEPS
21-0565
200 mm



straight

21-0570
MÜLLER VESSEL CLIP FOR VEIN, CLOSING
PRESSURE, 250G

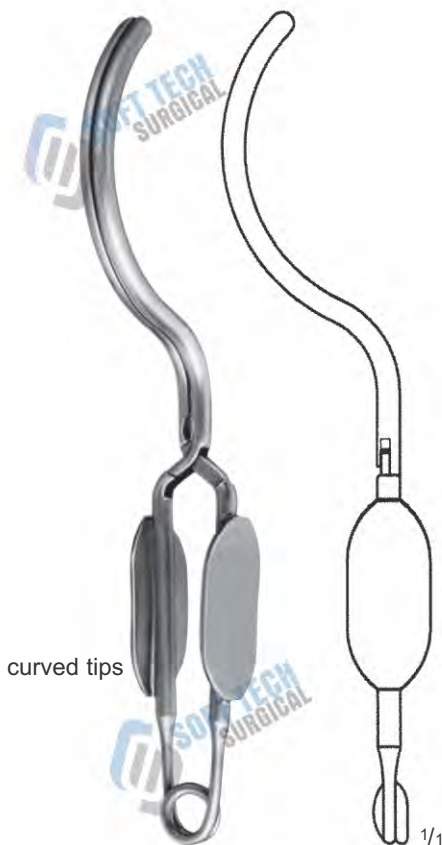
21-0571
MÜLLER VESSEL CLIP FOR ARTERY, CLOSING
PRESSURE, 350G



curved

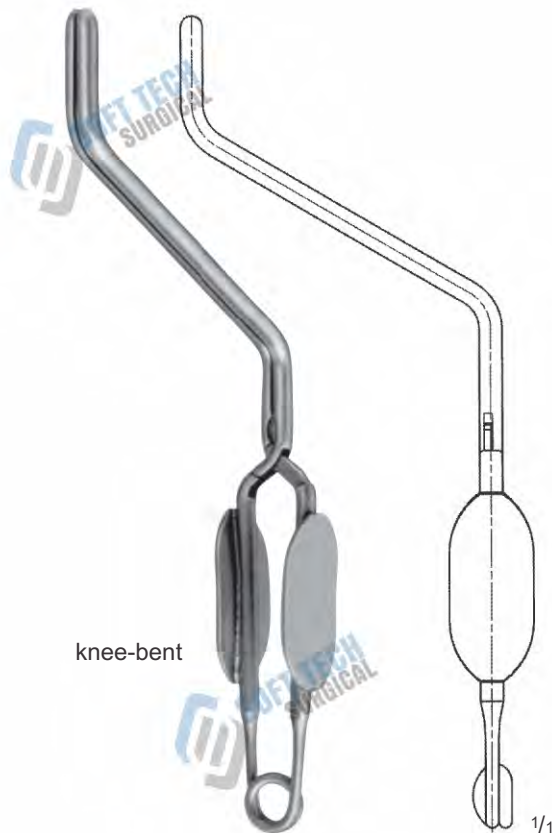
21-0575
MÜLLER VESSEL CLIP FOR VEIN, CLOSING
PRESSURE, 250G

21-0576
MÜLLER VESSEL CLIP FOR ARTERY, CLOSING
PRESSURE, 350G



21-0580
MÜLLER VESSEL CLIP FOR VEIN, CLOSING
PRESSURE, 250G

21-0581
MÜLLER VESSEL CLIP FOR ARTERY, CLOSING
PRESSURE, 350G



21-0585
MÜLLER VESSEL CLIP FOR VEIN, CLOSING
PRESSURE, 250G

21-0586
MÜLLER VESSEL CLIP FOR ARTERY, CLOSING
PRESSURE, 350G

MÜLLER TEMPORARY VESSEL
CLIP FOR ARTERY



	Total length:	Jaw length:
21-0595	38 mm	12 mm
21-0596	48 mm	16 mm
21-0597	38 mm,	12 mm
21-0598	48 mm	16 mm
21-0599	58 mm"	16 mm
21-0600	58 mm	16 mm



JOHNS-HOPKINS APPLYING-
REMOVING FORCEPS
21-0590
240 mm



JOHNS-HOPKINS BULLDOG
CLAMP CURVED

	Total length:	Jaw length:
21-0605	38 mm	12 mm
21-0606	48 mm	17 mm
21-0607	56 mm,	25 mm
21-0608	63 mm	30 mm
21-0609	70 mm"	33 mm
21-0610	80 mm	42 mm
21-0611	91 mm	52 mm

SOFT TECH Surgical, Manufacturer & Exporter of Quality Instruments



DE BAKEY-HESS BULLDOG
CLAMP CURVED

21-0615

Total length: 34 mm

Jaw length: 20 mm

STR



BULLDOG CLAMP

21-0616

Total length: 35 mm

Jaw length: 14 mm

CVD



21-0617

Total length: 35 mm

Jaw length: 14 mm

STR



21-0618

Total length: 45 mm

Jaw length: 19 mm

CVD



21-0619

Total length: 45 mm

Jaw length: 19 mm



DE BAKEY-HESS BULLDOG
CLAMP CURVED

21-0520

Total length: 43 mm

Jaw length: 30 mm



DIETRICH MICRO BULLDOG CLAMP STRAIGHT

21-0521

Total length: 55 mm

Jaw length: 13 mm

21-0522

Total length: 48 mm

Jaw length: 10 mm

21-0523

Total length: 48 mm

Jaw length: 13 mm



ATRAUMATA – ATRAUMATIC MICRO BULLDOG CLAMP STRAIGHT

21-0630 21-0631 21-0632

Total length: 50 mm 55 mm 60 mm
Jaw length: 10 mm 14 mm 20 mm

ATRAUMATA – ATRAUMATIC MICRO BULLDOG CLAMP

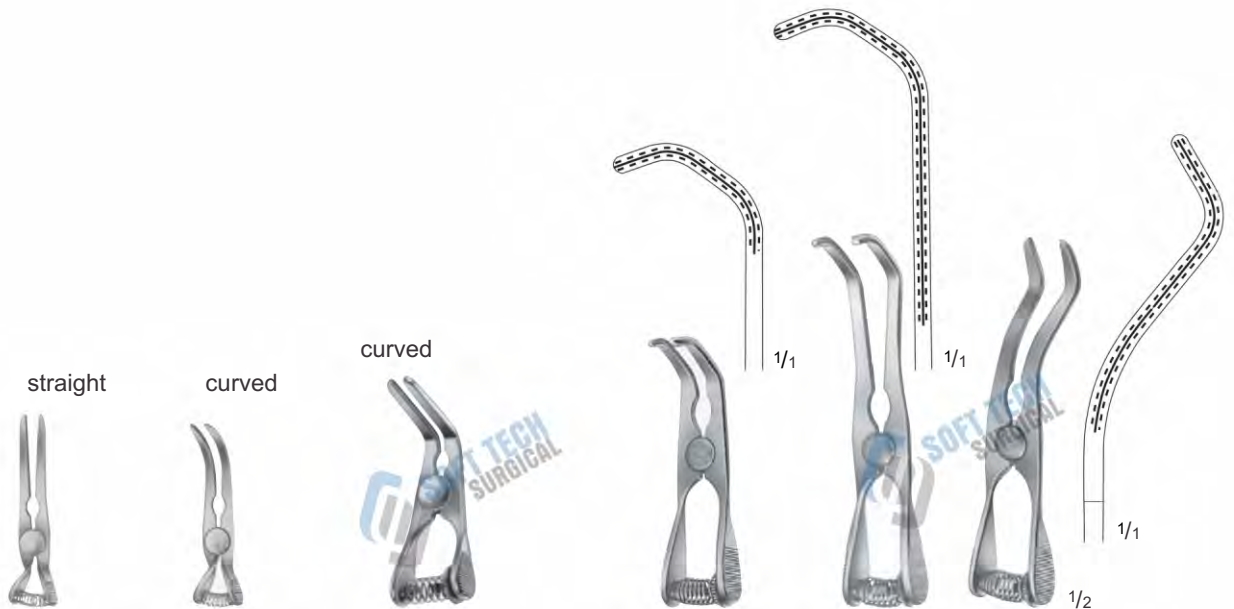
21-0633 21-0634 21-0635

Total length: 50 mm 55 mm 55 mm
Jaw length: 10 mm 14 mm 20 mm

ATRAUMATA – ATRAUMATIC MICRO BULLDOG CLAMP

21-0636

Total length: 55 mm
Jaw length: 20 mm



ATRAUMATA – ATRAUMATIC MICRO BULLDOG CLAMP

21-0640 21-0641 21-0642

Total length: 50 mm 48 mm 52 mm
Jaw length: 27 mm 27 mm 35 mm

GLOVER ATRAUMATA BULLDOG CLAMP

DE BAKEY ATRAUMATA BULLDOG CLAMP

21-0643 21-0644 21-0645

Total length: 73 mm 99 mm 95 mm
Jaw length: 38 mm 63 mm 54 mm

SOFT TECH Surgical, Manufacturer & Exporter of Quality Instruments



STRAIGHT

DE BAKEY ATRAUMATA BULLDOG CLAMP

21-0650 21-0651 21-0652 21-0653

Total length: 80 mm 90 mm 105 mm 124 mm

Length of jaw: 25 mm 35 mm 50 mm 68 mm



CURVED

DE BAKEY ATRAUMATA BULLDOG CLAMP

21-0655 21-0656 21-0657 21-0658

78 mm 86 mm 97 mm 114 mm

23 mm 31 mm 42 mm 58 mm



STRAIGHT

GLOVER ATRAUMATA BULLDOG CLAMP

21-0660 21-0661 21-0662

Total length: 68 mm 96 mm 117 mm

Length of jaw: 33 mm 50 mm 69 mm



CURVED

GLOVER ATRAUMATA BULLDOG CLAMP

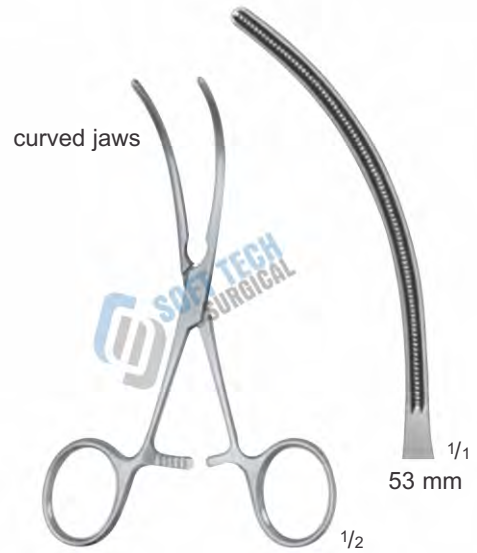
21-0665 21-0666 21-0667

65 mm 91 mm 110 mm

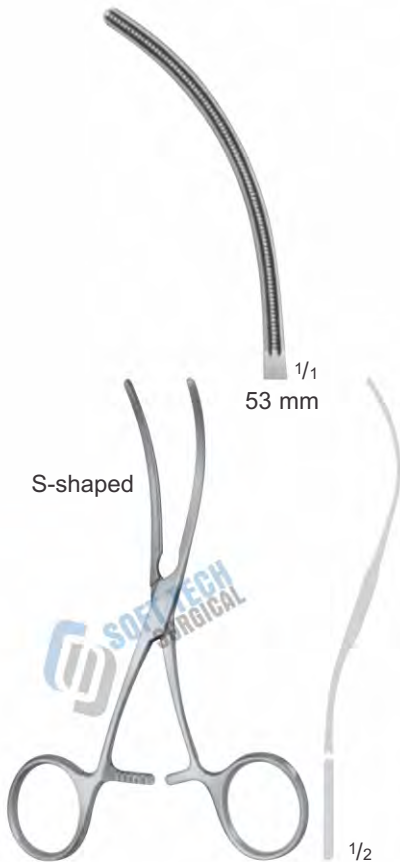
33 mm 50 mm 69 mm



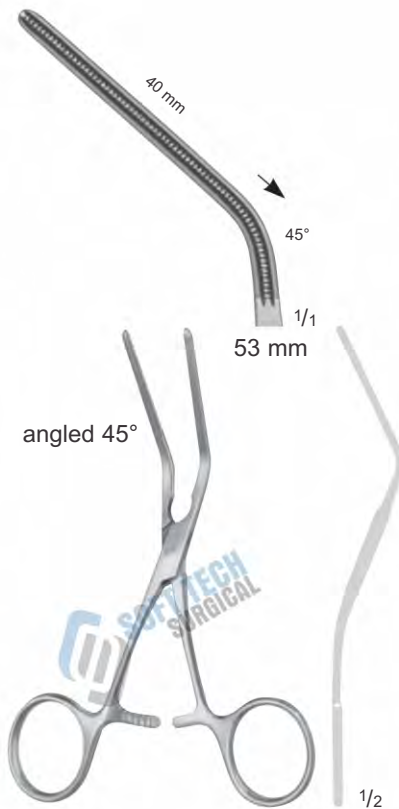
DE BAKEY, ATRAUMATA
BULLDOG CLAMP
21-0670
130 mm



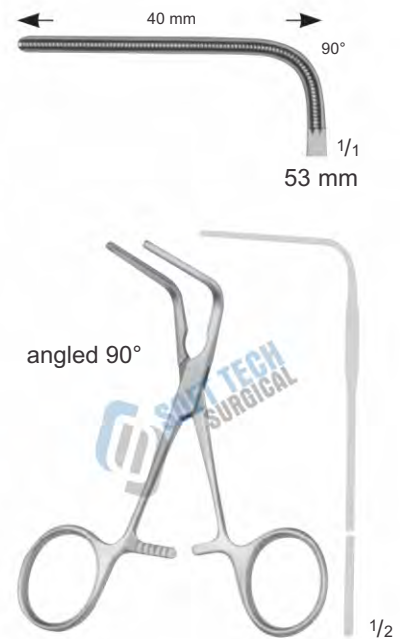
DE BAKEY, ATRAUMATA
BULLDOG CLAMP
21-0675
125 mm



DE BAKEY, ATRAUMATA
BULLDOG CLAMP
21-0680
125 mm



DE BAKEY, ATRAUMATA
BULLDOG CLAMP
21-685
125 mm

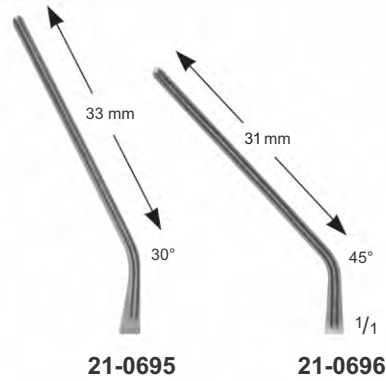


DE BAKEY, ATRAUMATA
BULLDOG CLAMP
21-690
105 mm

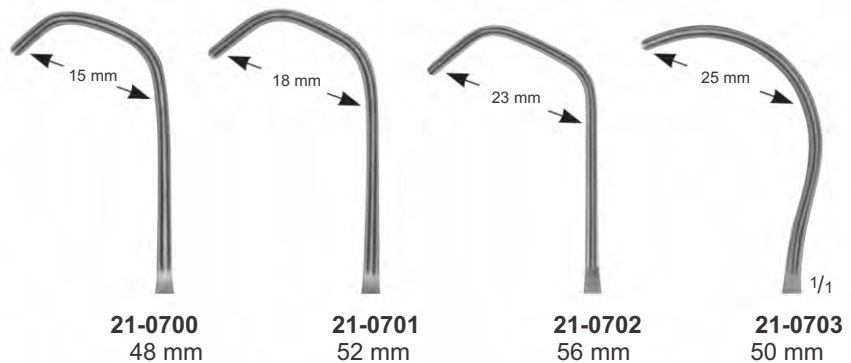
SOFT TECH Surgical, Manufacturer & Exporter of Quality Instruments

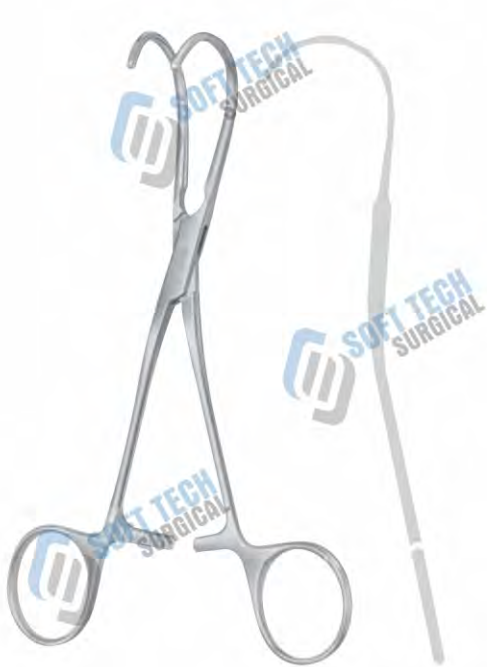


**CASTANEDA, ATRAUMATA
VASCULAR CLAMP
120 mm**

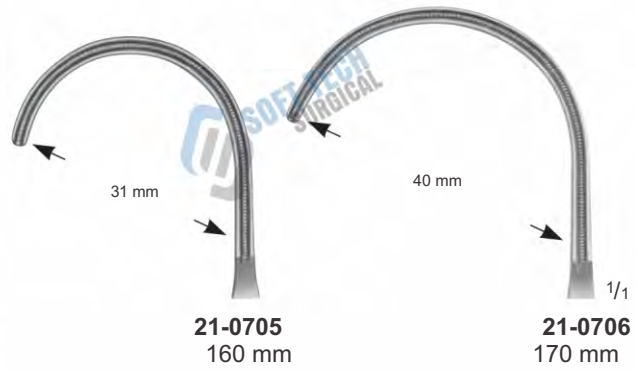


**CASTANEDA, ATRAUMATA
VASCULAR CLAMP
155 mm**

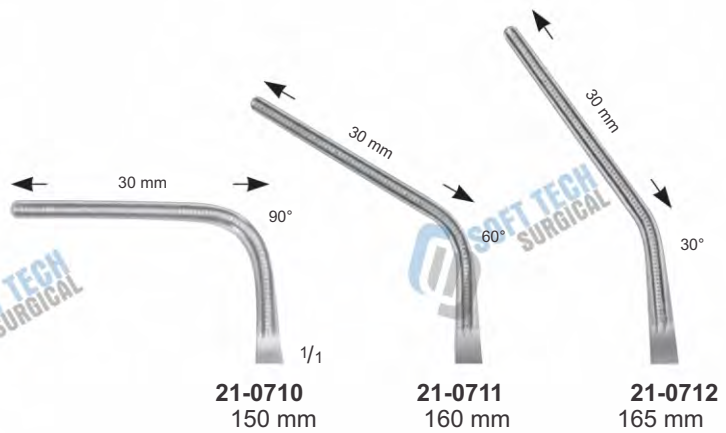




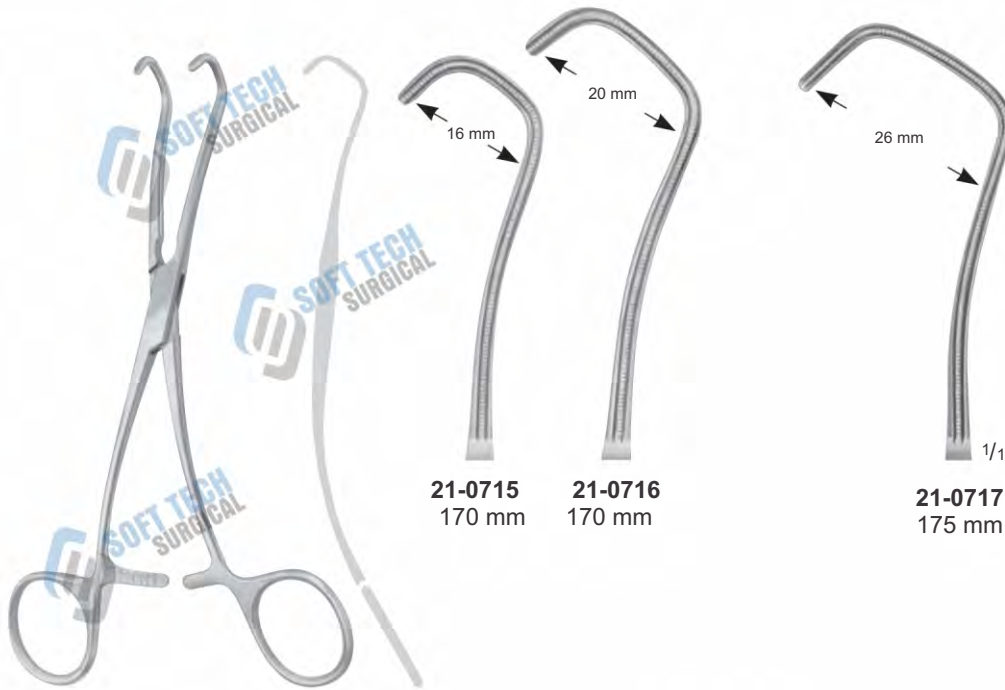
DE BAKEY, ATRAUMATA
 ANASTOMOSIS CLAMP



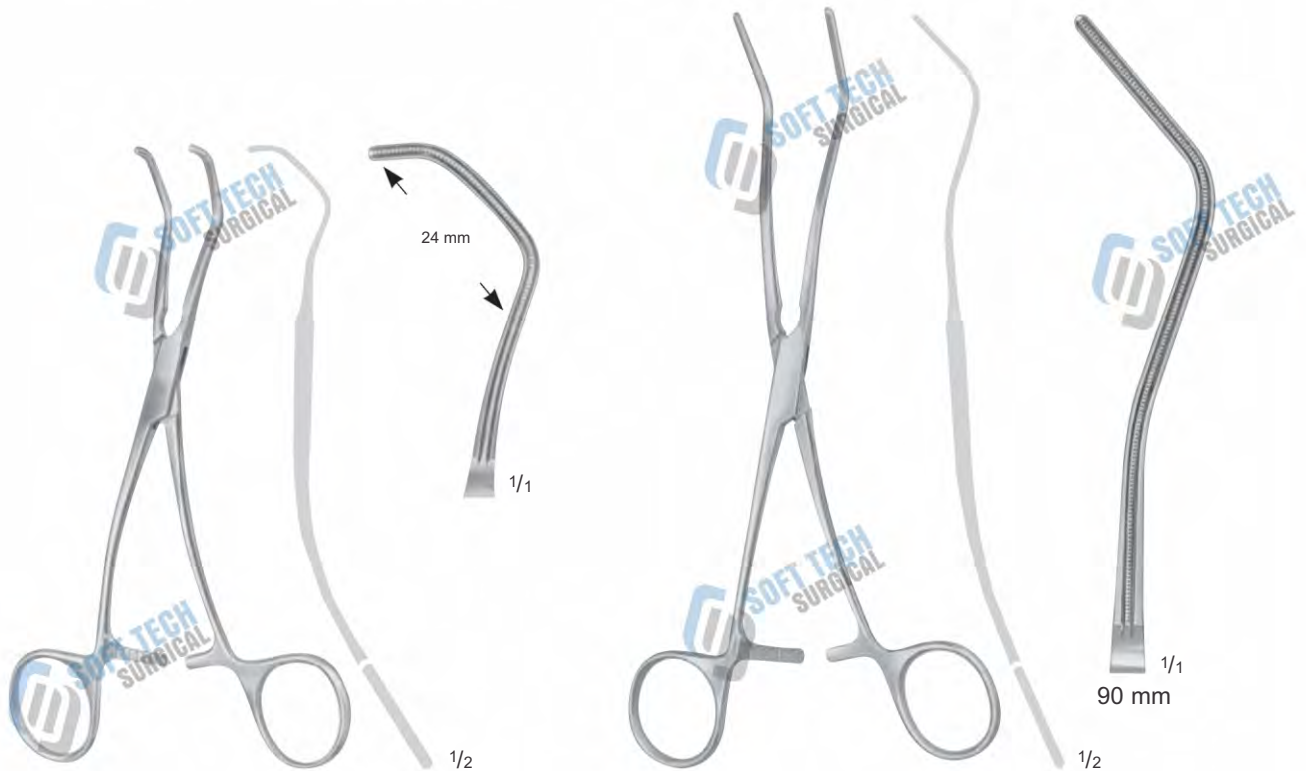
COOLEY, ATRAUMATA
 VASCULAR CLAMP



SOFT TECH Surgical, Manufacturer & Exporter of Quality Instruments



DERRA, ATRAUMATA
VASCULAR CLAMP



COOLEY
ATRAUMATA VASCULAR CLAMP
21-0720
160 mm

COOLEY
ATRAUMATA -VASCULAR CLAMP
21-0725
200 mm



ATRAUMATA MOSQUITO
CLAMP
125 mm



ATRAUMATA MOSQUITO
CLAMP
165 mm



DE BAKEY, ATRAUMATA
VASCULAR CLAMP
155 mm



DE BAKEY, ATRAUMATA
VASCULAR CLAMP
180 mm

SOFT TECH Surgical, Manufacturer & Exporter of Quality Instruments



PEAN, ATRAUMATA VASCULAR
CLAMP
155 mm

21-0750
50 mm
STR

21-0751
50 mm
CVD



DE BAKEY-PEAN ATRAUMATA
VASCULAR CLAMP

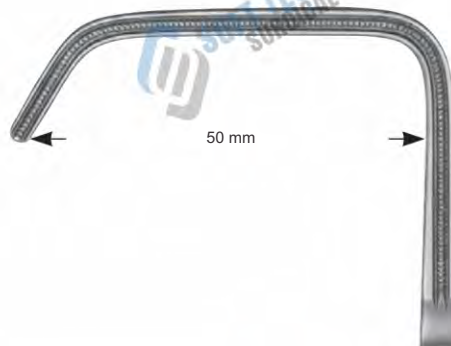


21-0755 60 mm 200 mm STR
21-0756 89 mm 265 mm STR
21-0757 99 mm 280 mm STR

21-0760 60 mm 200 mm CVD
21-0761 89 mm 260 mm CVD
21-0762 99 mm 275 mm CVD



21-0765



21-0766



21-0767^{1/1}

HOPT, ATRAUMATA KIDNEY
CLAMP PANKREAS CLAMP

- 21-0765 230 mm
- 21-0766 235 mm
- 21-0767 245 mm

SOFT TECH Surgical, Manufacturer & Exporter of Quality Instruments



21-0770
81 mm

21-0771
81 mm



**DE BAKEY RUMEL ATRAUMATA
DISSECTING FORCEPS**
245 mm



**DE BAKEY- MIXTER ATRAUMATA
DISSECTING FORCEPS**
21-0780
285 mm



**DE BAKEY-MC QUIGG-MIXTER
ATRAUMATA VASCULAR CLAMP**
21-0785
210 mm



21-0790
77 mm
190 mm

21-0791
80 mm
230 mm

DE BAKEY, ATRAUMATA
DISSECTING FORCEPS



GREGORY PROFUNDA CLAMP

21-0795 57 mm (small)
21-0796 62 mm (middle)
200 mm



94 mm

21-0805
51 mm
210 mm

21-0806
75 mm
230 mm

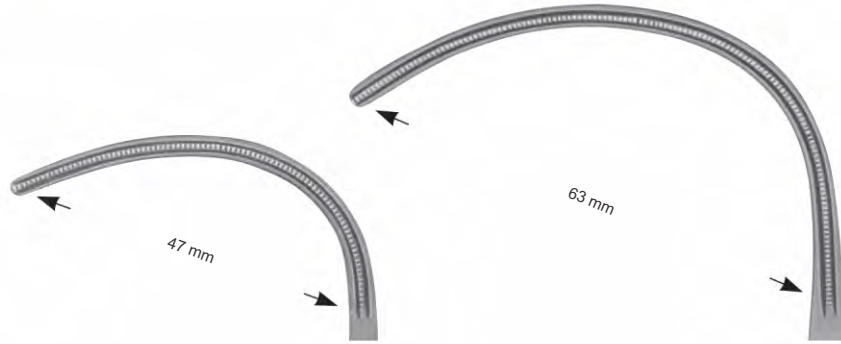
DE BAKEY, ATRAUMATA
DISSECTING FORCEPS
21-0800
240 mm

DE BAKEY, ATRAUMATA,
DISSECTING FORCEPS

SOFT TECH Surgical, Manufacturer & Exporter of Quality Instruments



GLOVER, ATRAUMATA VASCULAR
CLAMP CURVED



21-0810
70 mm
195 mm

63 mm

21-0811
95 mm
210 mm



GLOVER, ATRAUMATA
VASCULAR CLAMP CURVED

21-0815
220 mm

60 mm
1/1



GLOVER, ATRAUMATA
VASCULAR CLAMP CURVED

21-0820
215 mm

65 mm
1/1



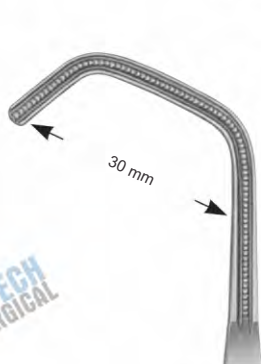
GLOVER, ATRAUMATA
VASCULAR CLAMP CURVED

21-0825
245 mm

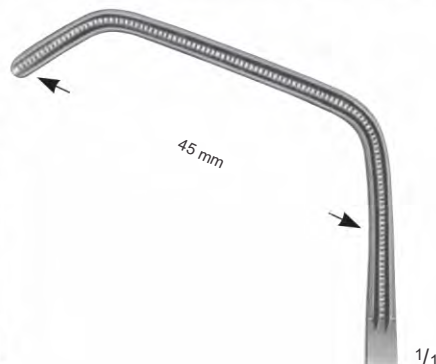
86 mm
1/1



DE BAKEY BECK, ATRAUMATA
VASCULAR CLAMP



21-0830
65 mm
205 mm



21-0835
80 mm
210 mm



DE BAKEY-HARKEN, ATRAUMATA
VASCULAR CLAMP



21-0840
86 mm
255 mm



21-0841
86 mm
245 mm

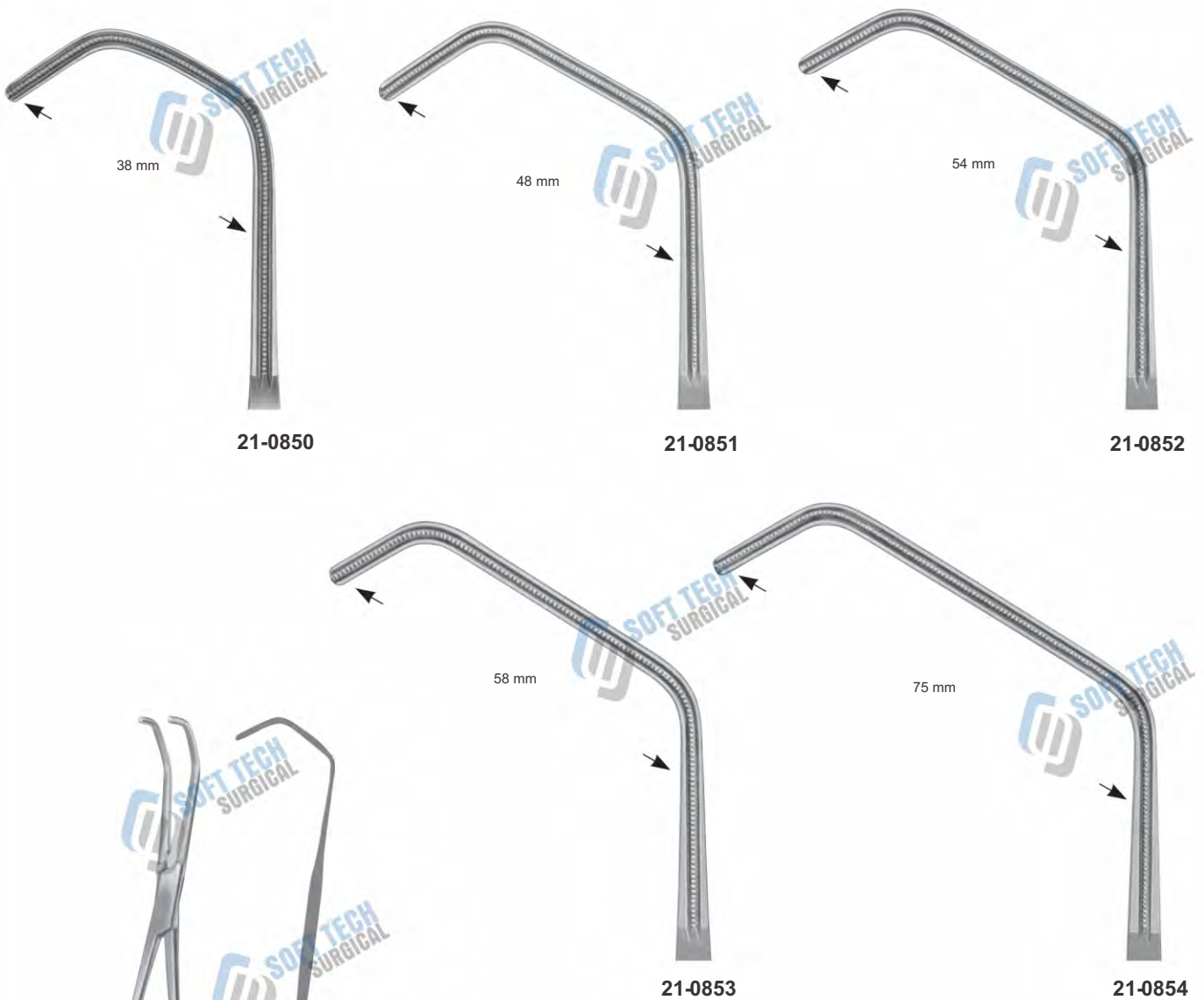


21-0842
86 mm
245 mm



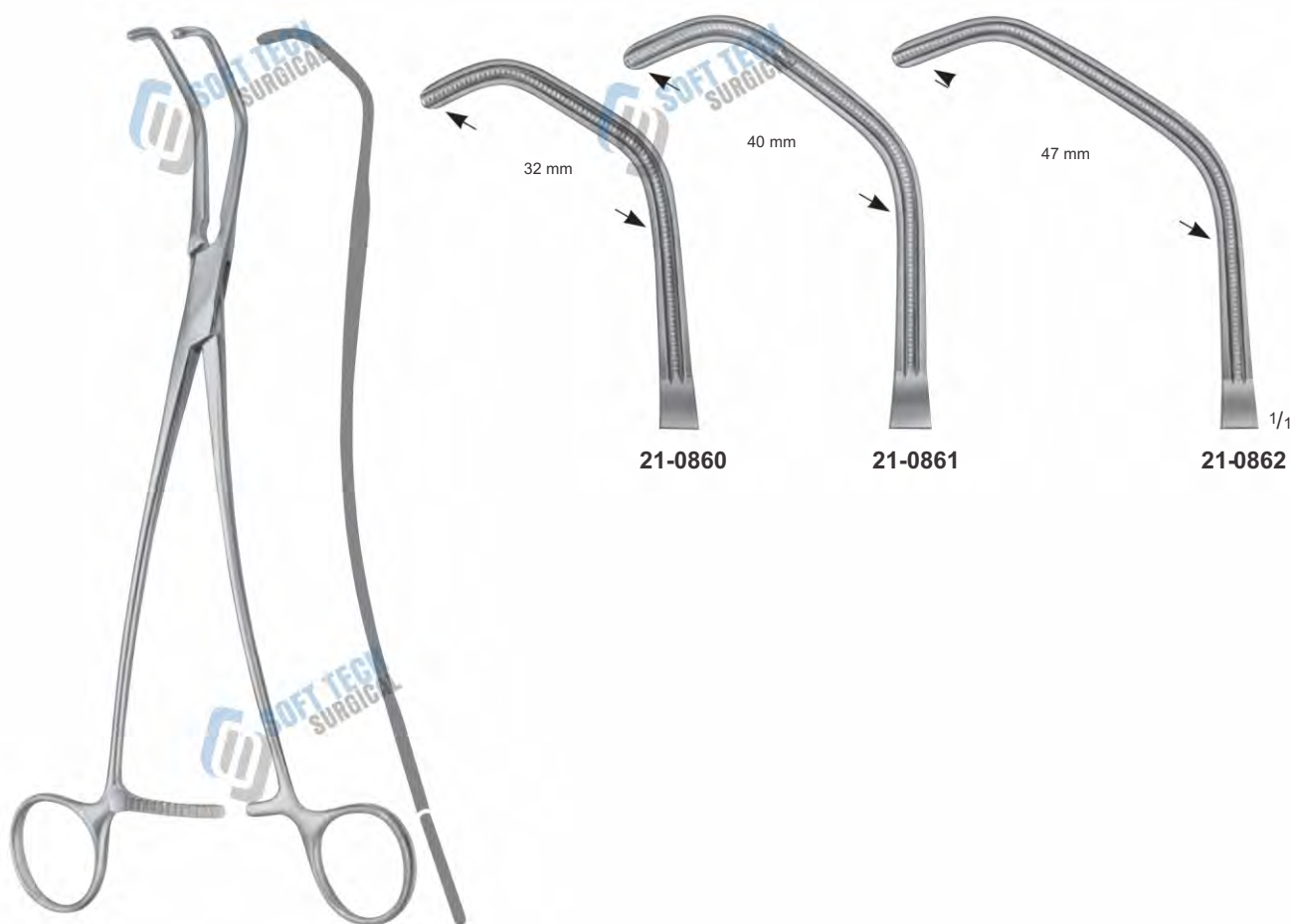
21-0843
86 mm
245 mm

SOFT TECH Surgical, Manufacturer & Exporter of Quality Instruments



DE BAKEY, ATRAUMATA
VASCULAR CLAMP

	21-0850	21-0851	21-0852	21-0853	21-0854
Total Length:	220 mm	265 mm	270 mm	270 mm	280 mm
Jaw length:	85 mm	95 mm	99 mm	103 mm	119 mm



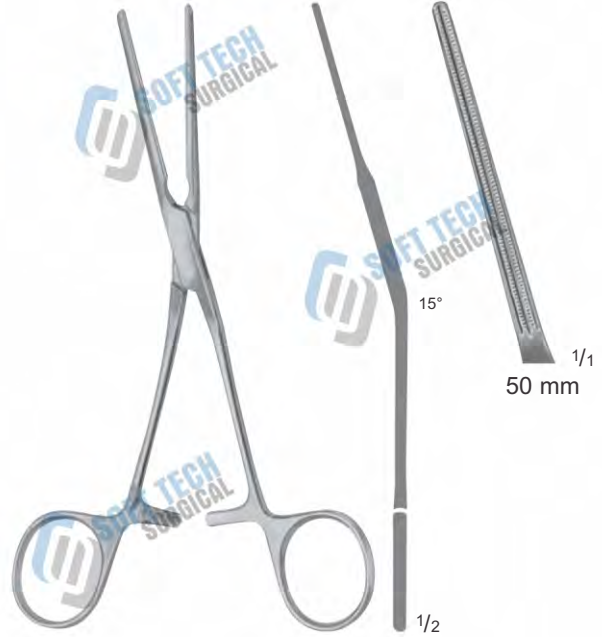
DE BAKEY-SATINSKY, ATRAUMATA
VASCULAR CLAMP

	21-0860	21-0861	21-0862
Total Length:	235 mm	240 mm	245 mm
Jaw length:	68 mm	76 mm	84 mm

SOFT TECH Surgical, Manufacturer & Exporter of Quality Instruments



DE BAKEY
ATRAUMATA COARCTATION FORCEPS



DE BAKEY
ATRAUMATA COARCTATION
FORCEPS ANGLED 15°
21-0870
165 mm



DE BAKEY, ATRAUMATA VASCULAR
CLAMP STRAIGHT



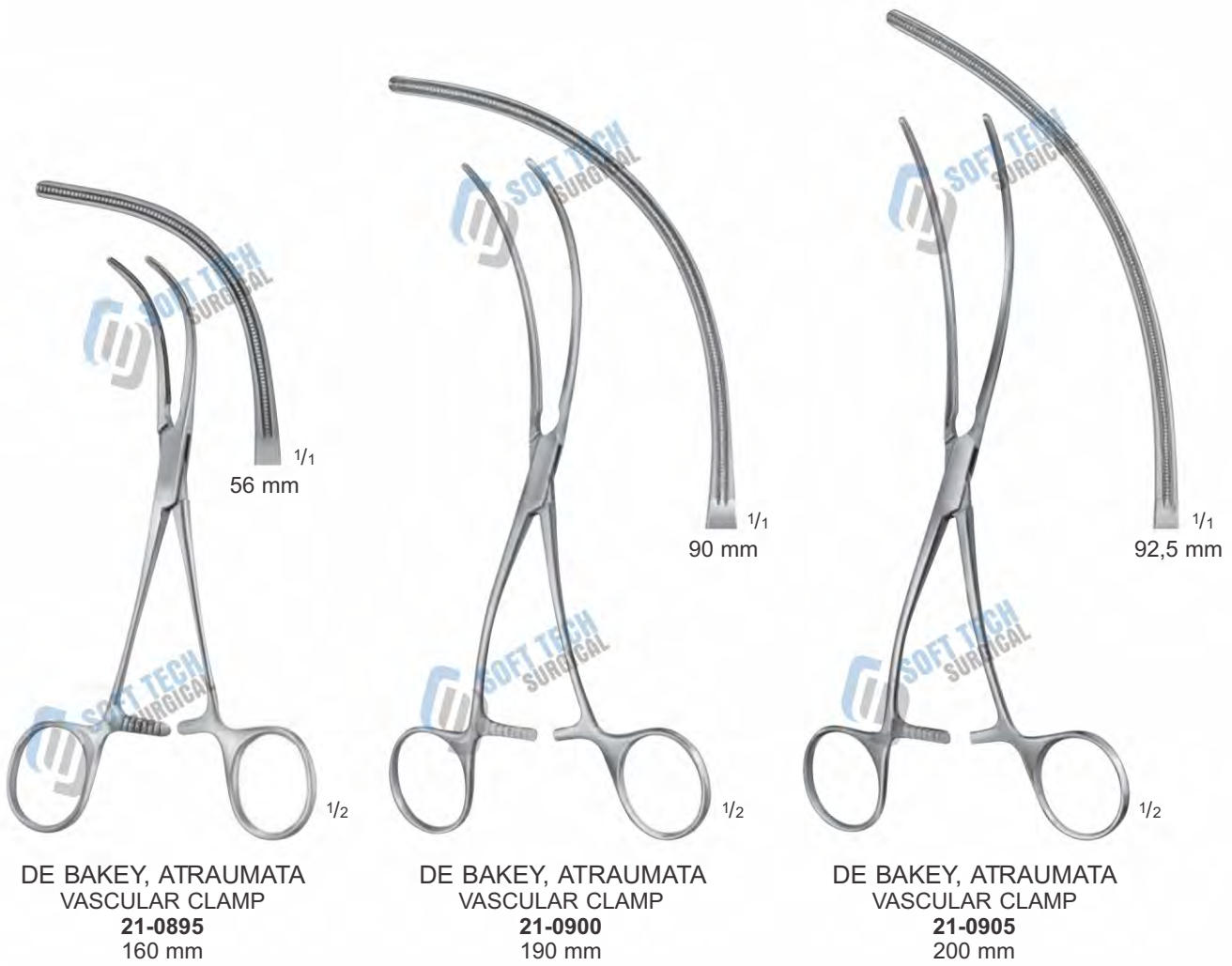
DE BAKEY, ATRAUMATA VASCULAR
CLAMP ANGLED 15°

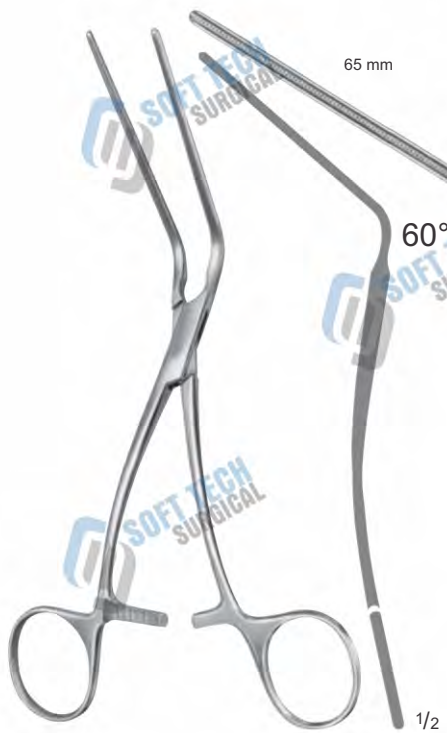


DE BAKEY, ATRAUMATA
VASCULAR CLAMP
21-450
210 mm

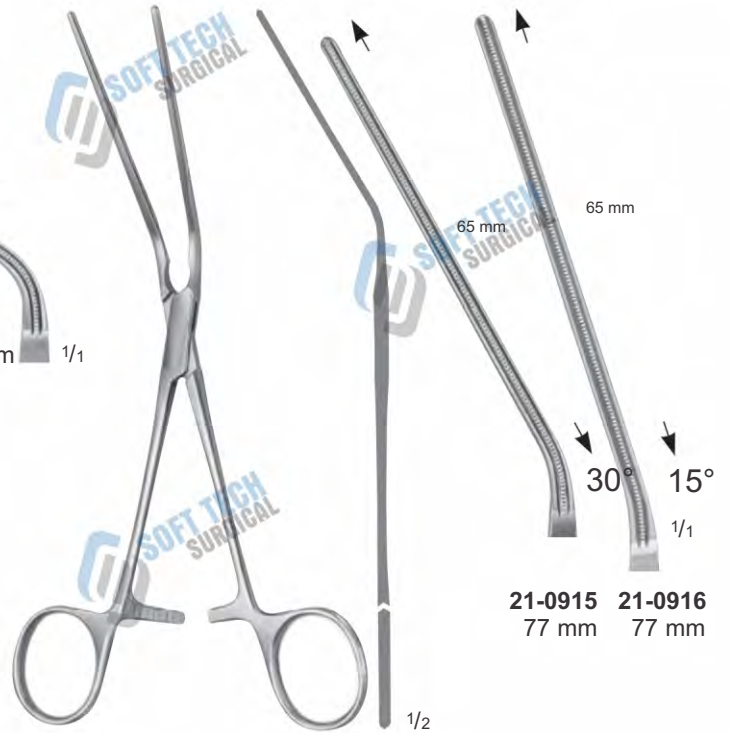


DE BAKEY, ATRAUMATA VASCULAR
CLAMP ANGLED 15°
21-451
210 mm





DE BAKEY, ATRAUMATA VASCULAR CLAMP, ANGLED 60°
21-0910
180 mm



LELAND-JONES, ATRAUMATA VASCULAR CLAMP
190 mm

21-0915 21-0916
77 mm 77 mm



LELAND-JONES, ATRAUMATA VASCULAR CLAMP
21-0920
195 mm



DE BAKEY, ATRAUMATA VASCULAR CLAMP ILIAC CLAMP, ANGLED 60°
21-0925
200 mm

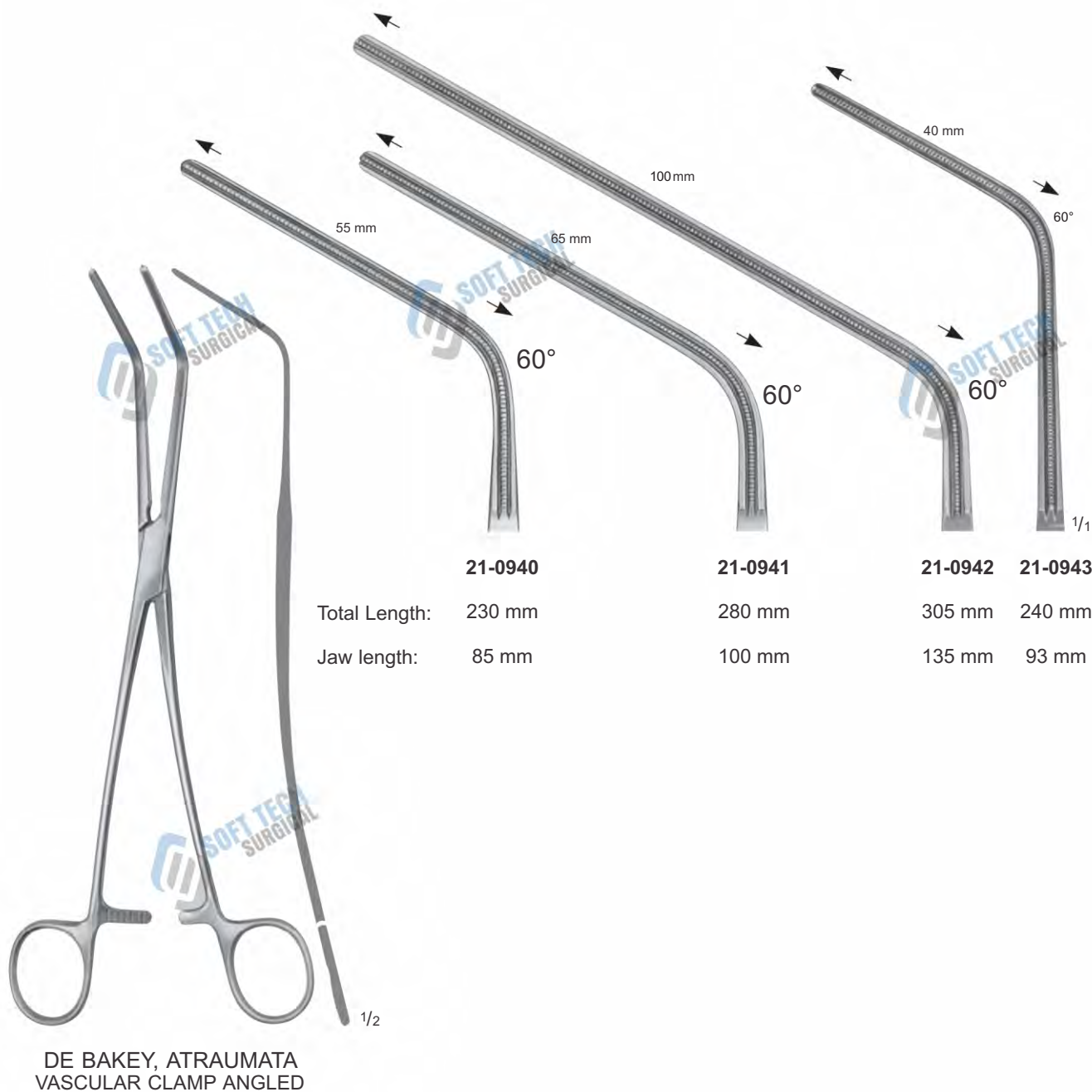
SOFT TECH Surgical, Manufacturer & Exporter of Quality Instruments



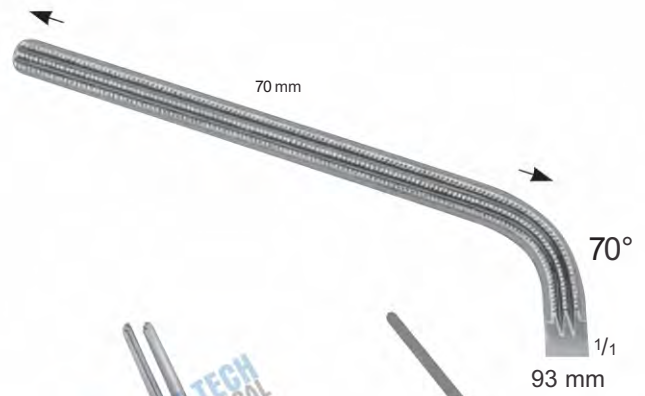
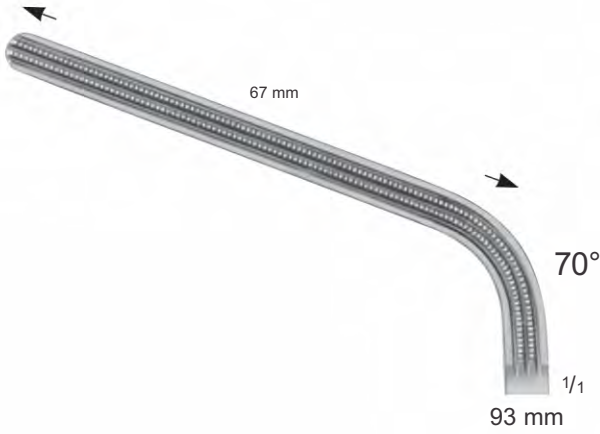
WERTHEIM COMPRESSION FORCEPS
90° ANGLED
21-0930
250 mm



DICK ATRAUMATA VASCULAR CLAMP
PRESSURE CLAMP



SOFT TECH Surgical, Manufacturer & Exporter of Quality Instruments



MORRIS, ATRAUMATA VASCULAR
CLAMP ANGLED
21-0945
175 mm



DE BAKEY, ATRAUMATA VASCULAR
CLAMP ANGLED
21-0950
240 mm

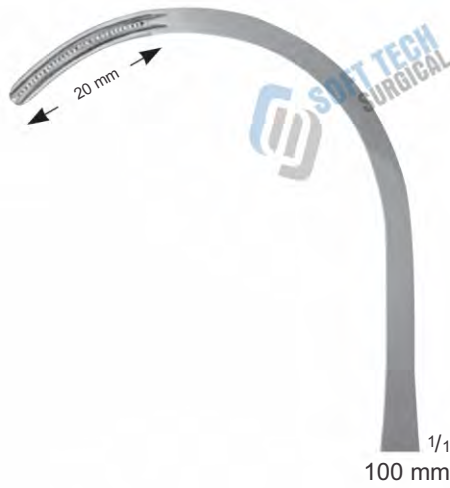


LEES, ATRAUMATA BRONCHUS
CLAMP ANGLED
21-0955
220 mm



LEES ATRAUMATA BRONCHUS
CLAMP
21-0960
245 mm

SOFT TECH Surgical, Manufacturer & Exporter of Quality Instruments



DE BAKAY, ATRAUMATA VASCULAR
CLAMP
21-0965
265 mm



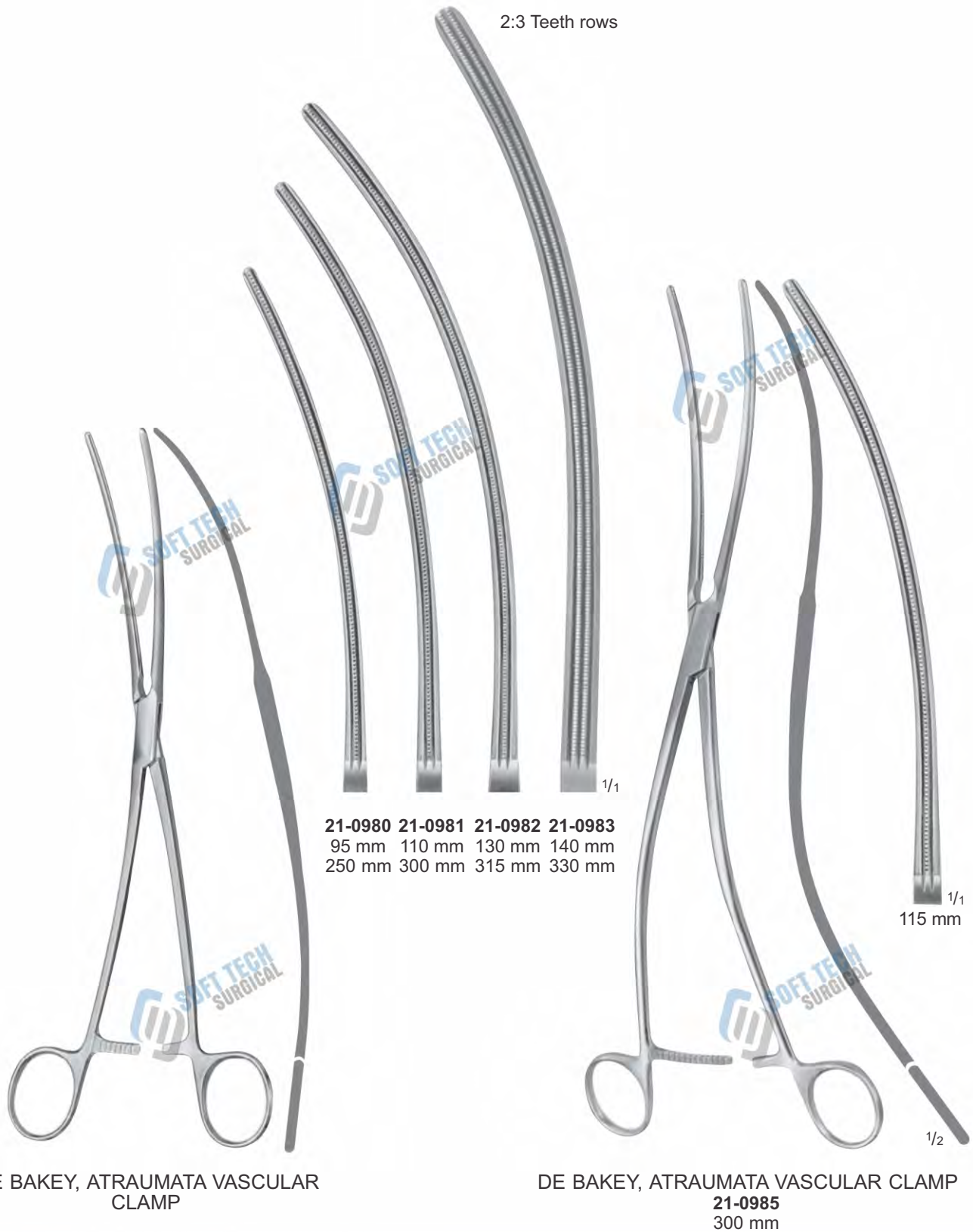
DE BAKAY, ATRAUMATA VASCULAR
CLAMP
21-0970
270 mm



DE BAKEY
ATRAUMATA VASCULAR CLAMP

21-0975	21-0976	21-0977
70 mm	75 mm	85 mm
255 mm	265 mm	280 mm

SOFT TECH Surgical, Manufacturer & Exporter of Quality Instruments





DIETHRICH
ATRAUMATA VASCULAR
CLAMP ANGLED
21-0990
210 mm

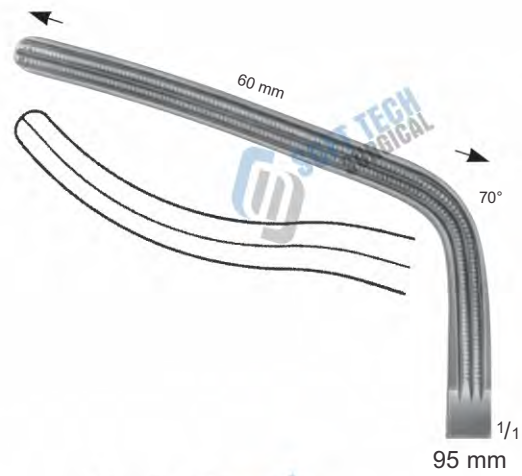


SUBRAMANIAN
VASCULAR AORTA
CLAMP
21-0995
155 mm

SOFT TECH Surgical, Manufacturer & Exporter of Quality Instruments



OCHSNER
ATRAUMATA VASCULAR
CLAMP
21-1000
260 mm



DE BAKY
CLAMP AORTA CLAMP
ANGLED
21-1005
265 mm

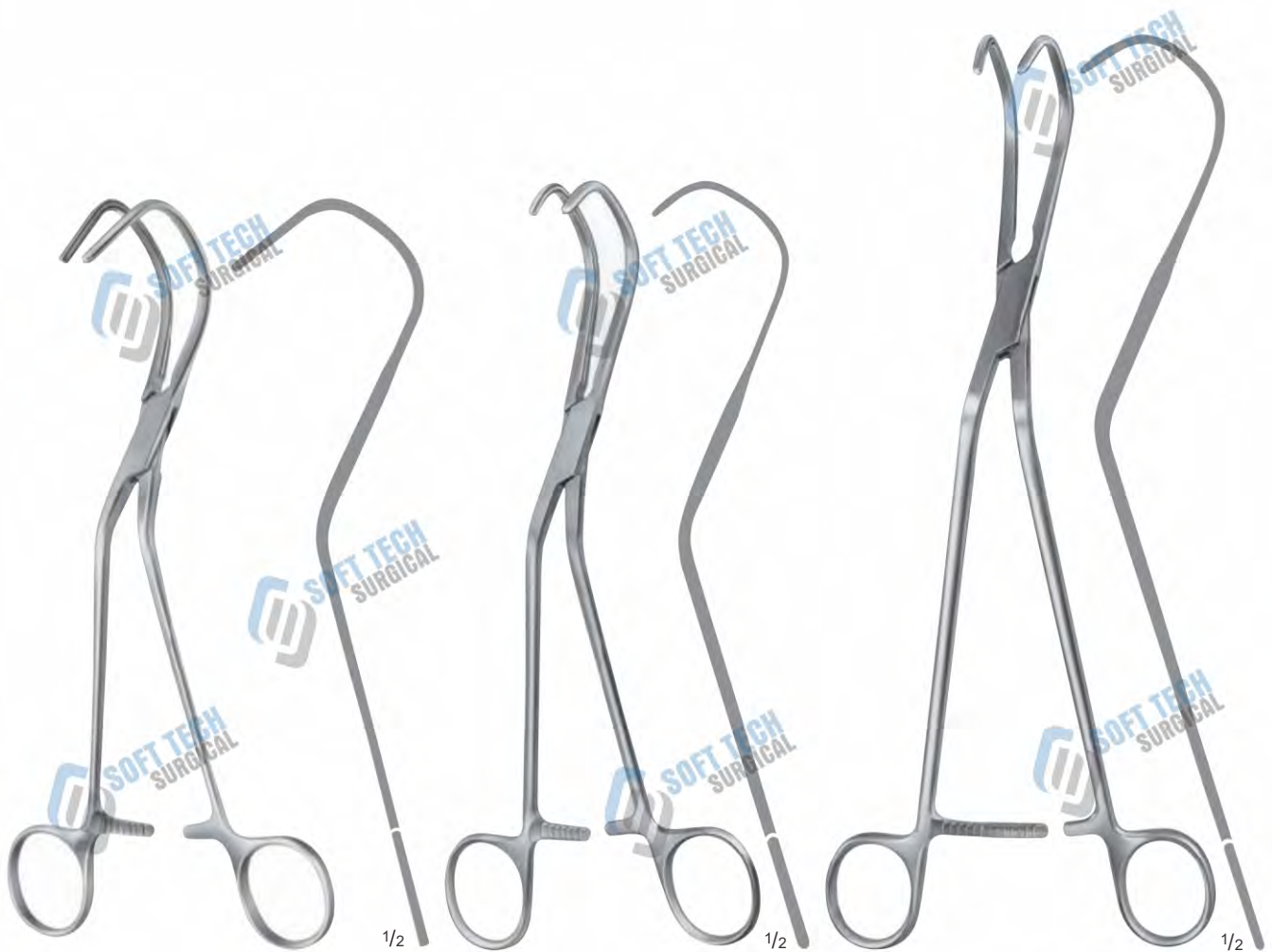
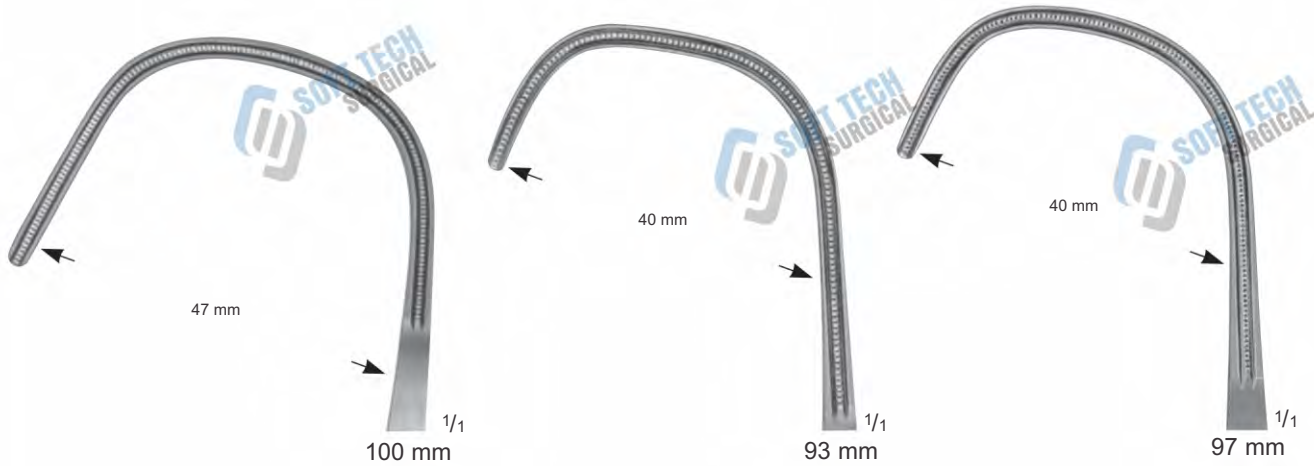


WEBER VASCULAR CLAMP AORTA
ANASTOMOSIS CLAMP, LEFT
21-1010
260 mm



WEBER VASCULAR CLAMP AORTA
ANASTOMOSIS CLAMP, RIGHT
21-1015
260 mm

SOFT TECH Surgical, Manufacturer & Exporter of Quality Instruments



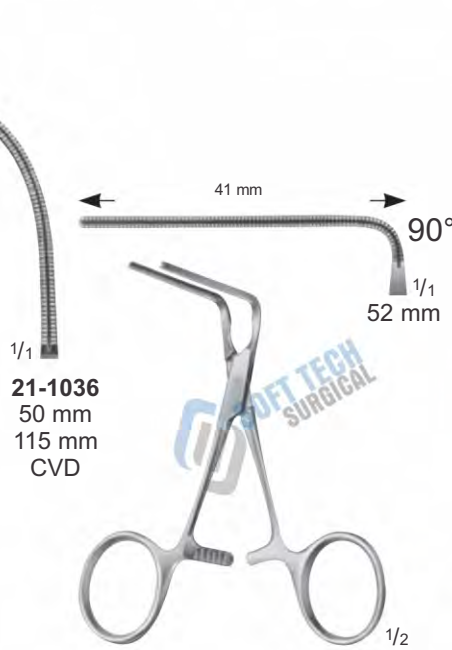
LAMBERT- KAY, ATRAUMATA
VASCULAR CLAMP
21-1020
210 mm

LAMBERT- KAY, ATRAUMATA
VASCULAR CLAMP
21-1025
215 mm

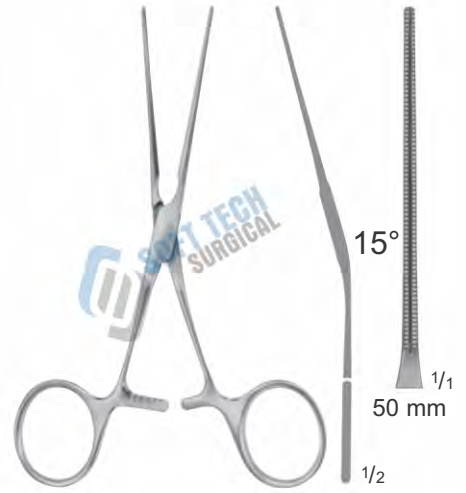
DE BAKY, ATRAUMATA VASCULAR
CLAMP
21-1030
255 mm



COOLEY, ATRAUMATA VASCULAR CLAMP



COOLEY VASCULAR CLAMP 90 DEGREES ANGLED
21-1040
100 mm



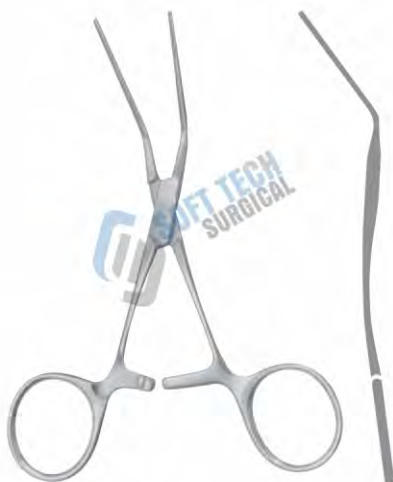
COOLEY, ATRAUMATA -VASCULAR CLAMP ANGLED
21-1045
125 mm



21-1050 50 mm 120 mm
21-1052 50 mm 125 mm
21-1053 52 mm 125 mm



21-1055 50 mm 120 mm
21-1056 50 mm 115 mm



COOLEY ATRAUMATA VASCULAR CLAMP



COOLEY ATRAUMATA VASCULAR CLAMP CURVED

SOFT TECH Surgical, Manufacturer & Exporter of Quality Instruments



COOLEY
ATRAUMATA VASCULAR
CLAMP
21-1060
145 mm



COOLEY
ATRAUMATA VASCULAR
CLAMP
21-1065
140 mm



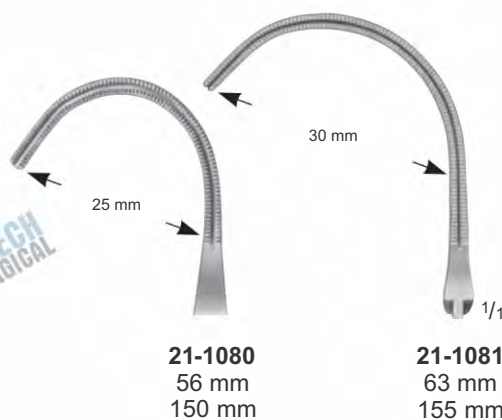
COOLEY
ATRAUMATA VASCULAR
CLAMP
21-1070
145 mm



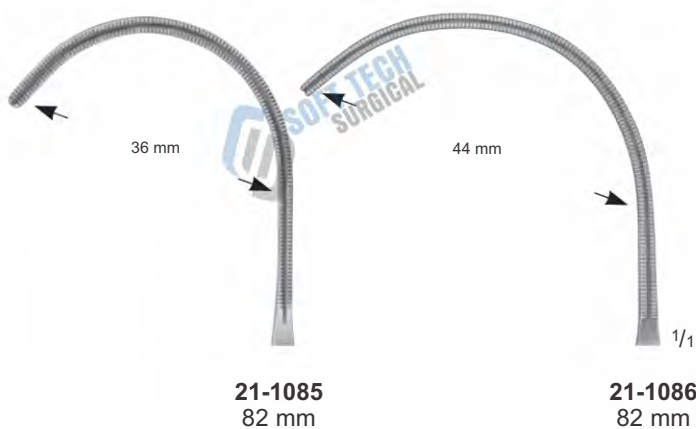
SATINSKY RING HANDLE
BULLDOG CLAMP
21-1075
140 mm



COOLEY
 ATRAUMATA VASCULAR
 CLAMP



COOLEY
 ATRAUMATA VASCULAR CLAMP
 170 mm



SOFT TECH Surgical, Manufacturer & Exporter of Quality Instruments



**DERRA COOLEY
ATRAUMATA VASCULAR
CLAMP**



21-1090
71 mm
170 mm

21-1091
76 mm
175 mm

21-1092
80 mm
175 mm



**COOLEY
ATRAUMATA VASCULAR CLAMP**



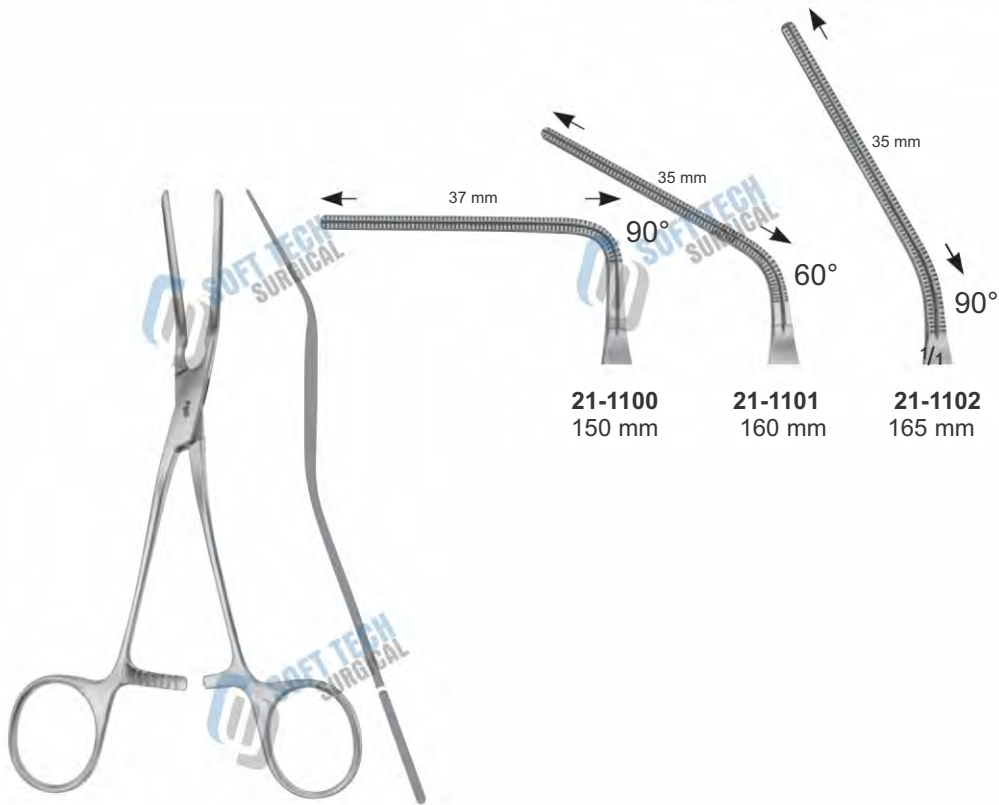
21-1095
72 mm
165 mm

21-1096
76 mm
165 mm

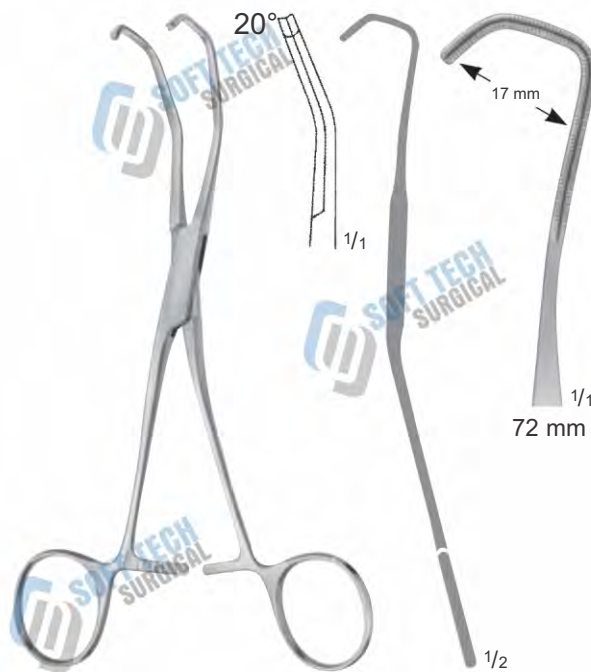
21-1097
72 mm
175 mm

21-1098
76 mm
180 mm

SOFT TECH Surgical, Manufacturer & Exporter of Quality Instruments

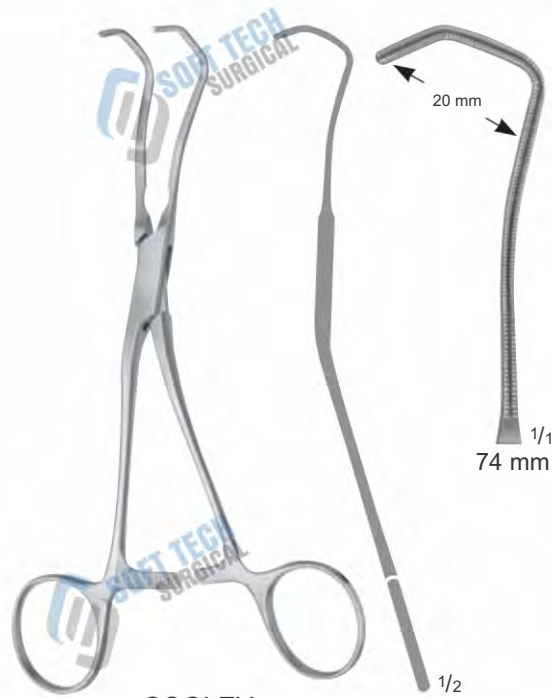


COOLEY
ATRAUMATA VASCULAR
CLAMP

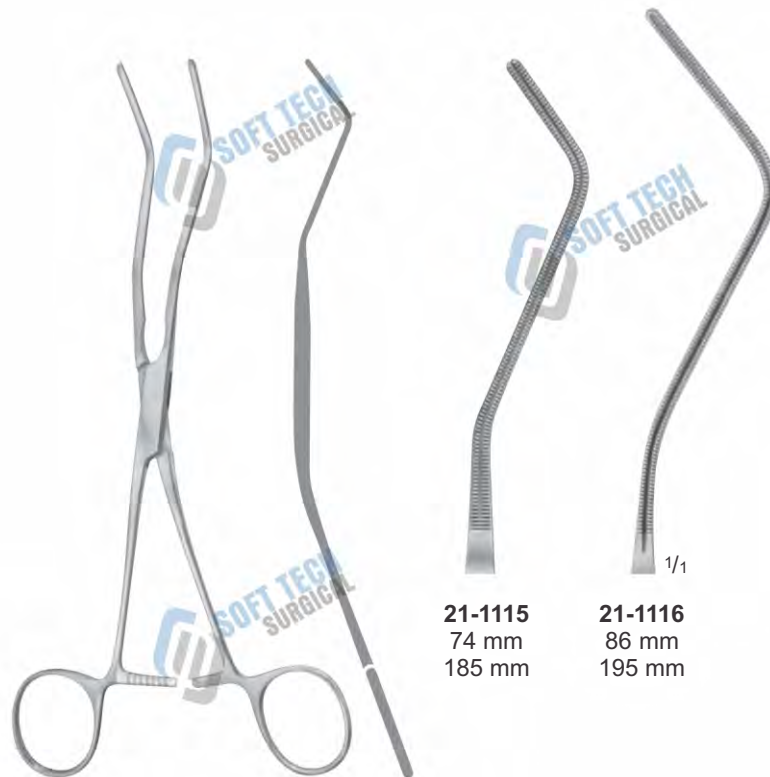


COOLEY
ATRAUMATA VASCULAR
CLAMP ANGLED
21-1105
170 mm

SOFT TECH Surgical, Manufacturer & Exporter of Quality Instruments



COOLEY
ATRAUMATA VASCULAR CLAMP
21-1110
175 mm



COOLEY
ATRAUMATA VASCULAR
CLAMP

21-1115
74 mm
185 mm

21-1116
86 mm
195 mm



21-1120	21-1121
52 mm	63 mm
180 mm	180 mm

21-1125	21-1126
41 mm	52 mm
160 mm	170 mm

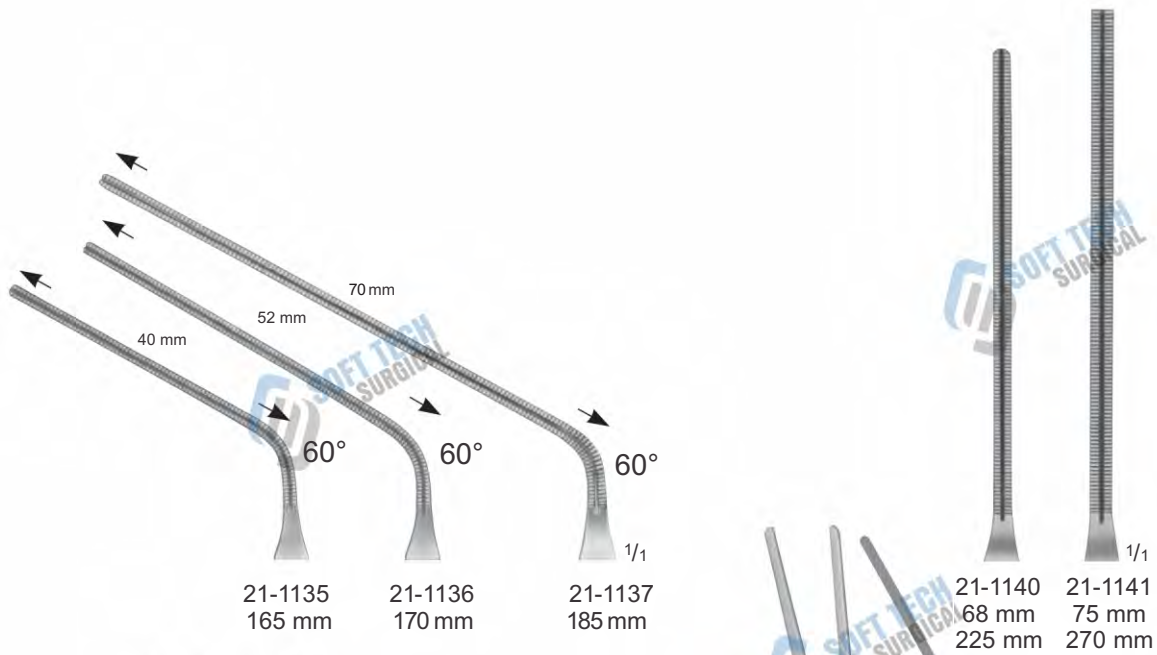
COOLEY
 ATRAUMATA VASCULAR CLAMP



21-1130	21-1131
41 mm	52 mm
160 mm	170 mm

COOLEY ATRAUMATA VASCULAR
 CLAMP ANGLED

SOFT TECH Surgical, Manufacturer & Exporter of Quality Instruments



COOLEY
ATRAUMATA VASCULAR
CLAMP ANGLED



COOLEY
ATRAUMATA VASCULAR
CLAMP

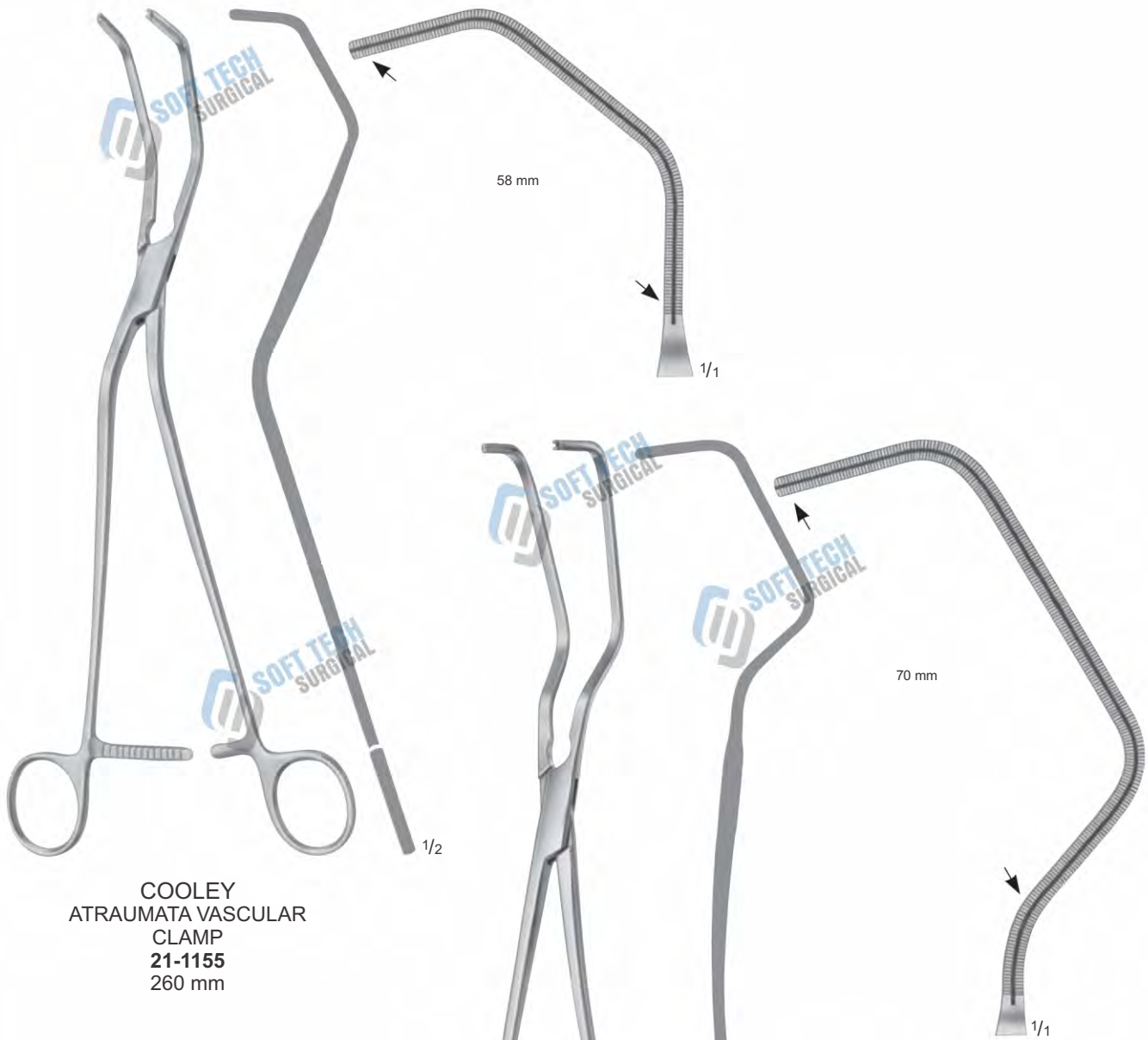


LEITZ ATRAUMATA VASCULAR
CLAMP
21-1145
205 mm



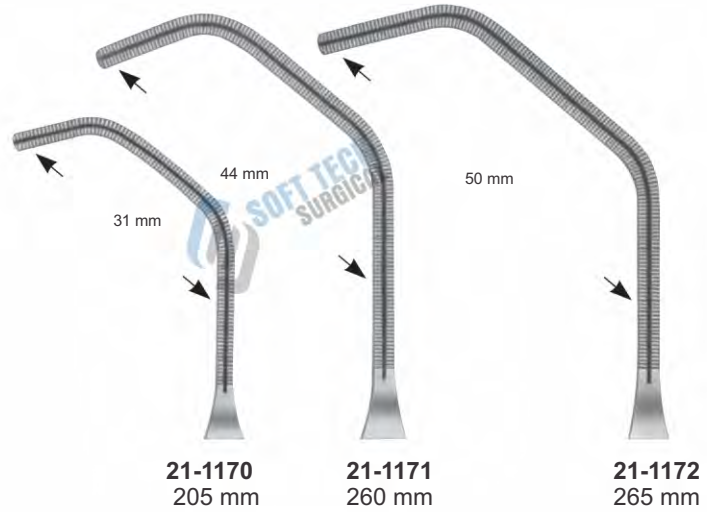
COOLEY ATRAUMATA VASCULAR
CLAMP
21-1150
260 mm

SOFT TECH Surgical, Manufacturer & Exporter of Quality Instruments

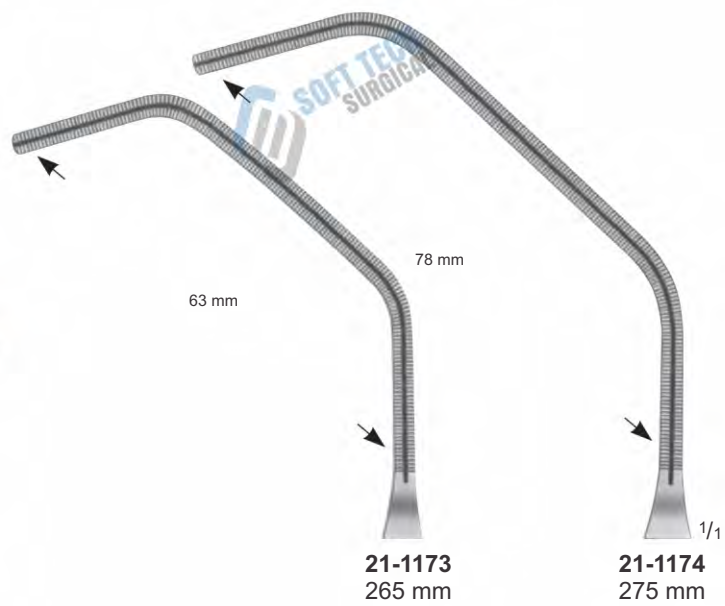


COOLEY
ATRAUMATA VASCULAR
CLAMP
21-1155
260 mm

PARRY COOLEY
ATRAUMATA VASCULAR
CLAMP
21-1160
295 mm



COOLEY
ATRAUMATA VASCULAR
CLAMP



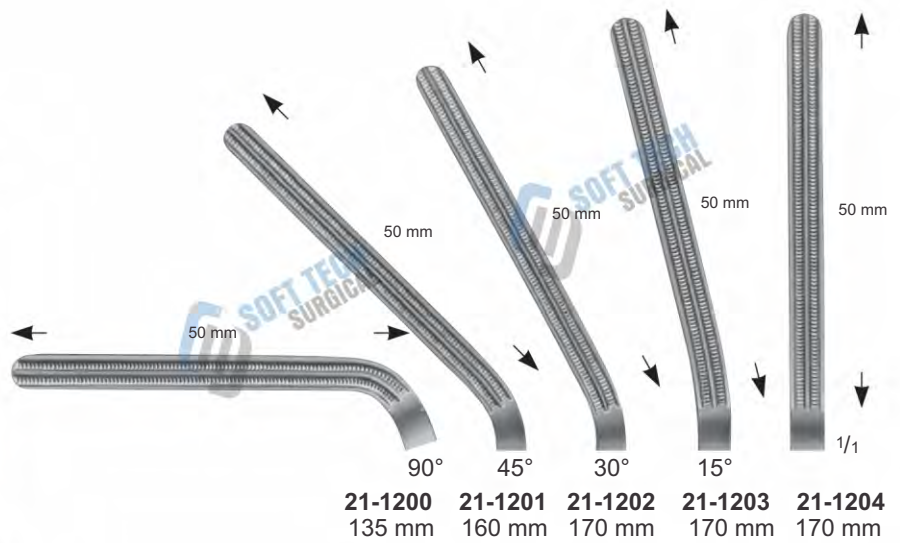


**COOLEY
ATRAUMATA VASCULAR
CLAMP
21-1180
320 mm**

**COOLEY
ATRAUMATA VASCULAR
CLAMP
21-1185
285 mm**



ATRAUMATA CLAMP JAW



SOFT TECH Surgical, Manufacturer & Exporter of Quality Instruments



21-1210
160 mm

21-1211
215 mm

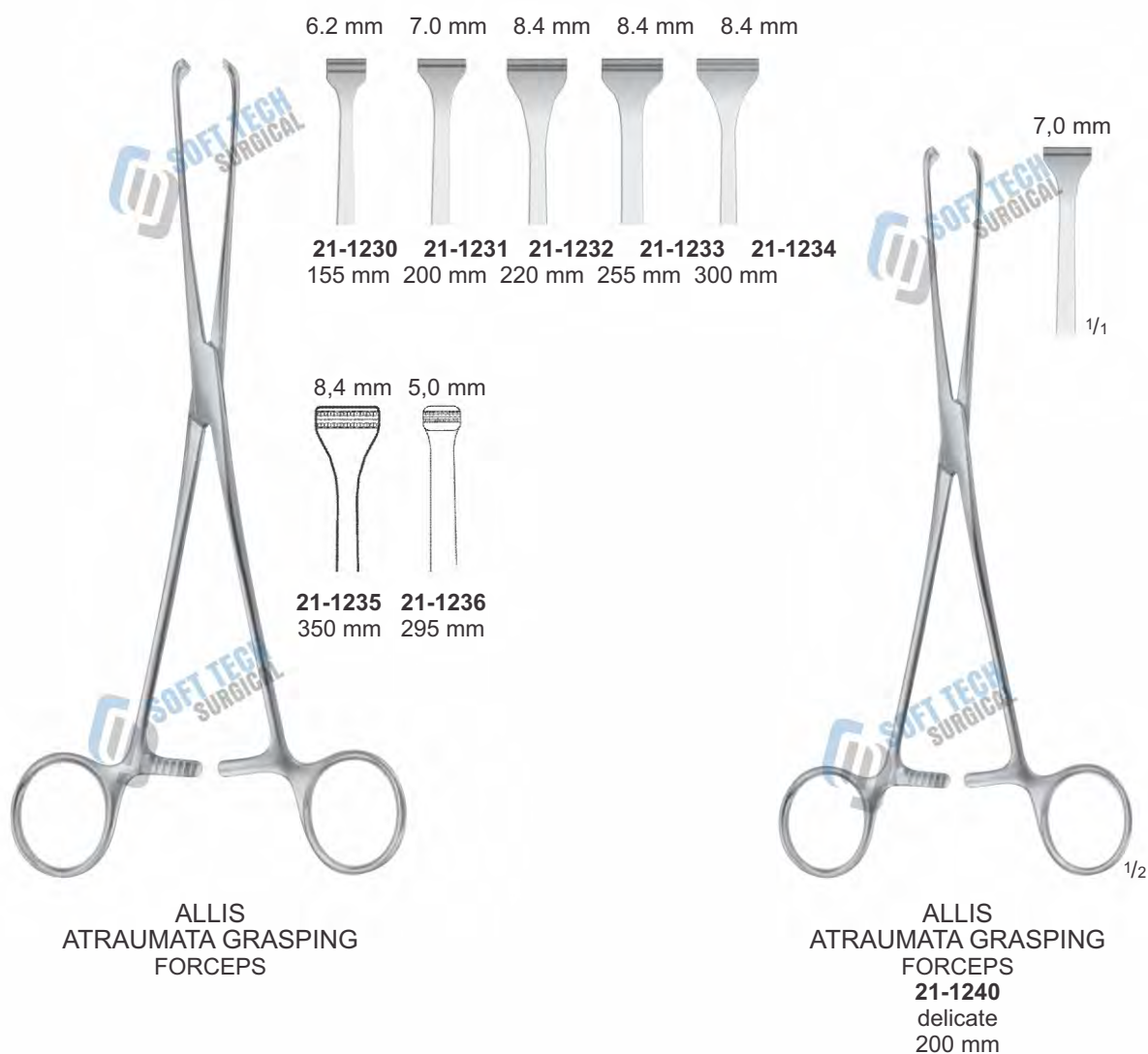
**BABCOCK
TISSUE GRASPING
FORCEPS**



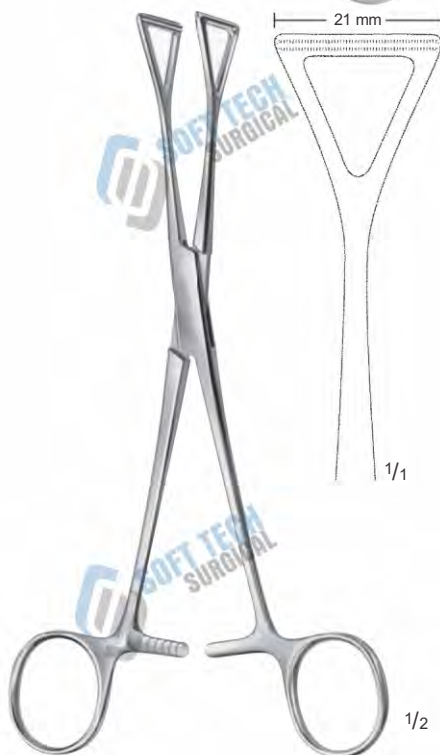
**BABCOCK
TISSUE GRASPING
FORCEPS**
21-1215
220 mm



**BABCOCK
TISSUE GRASPING
FORCEPS**
21-1220
240 mm



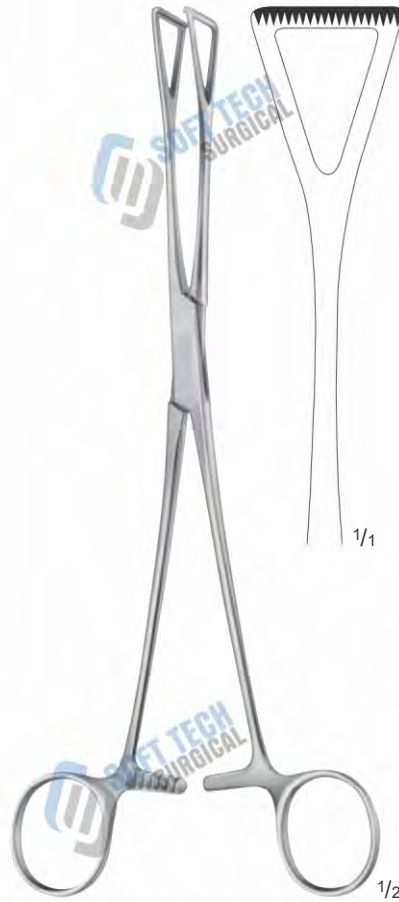
SOFT TECH Surgical, Manufacturer & Exporter of Quality Instruments



COLLIN, ATRAUMATA GRASPING FORCEPS
2:3 TEETH ROWS
21-1250
195 mm



COLLIN, ATRAUMATA GRASPING FORCEPS
2:3 TEETH ROWS
21-1255
230 mm



**DUVAL LUNG GRASPING
FORCEPS**
21-1260
230 mm

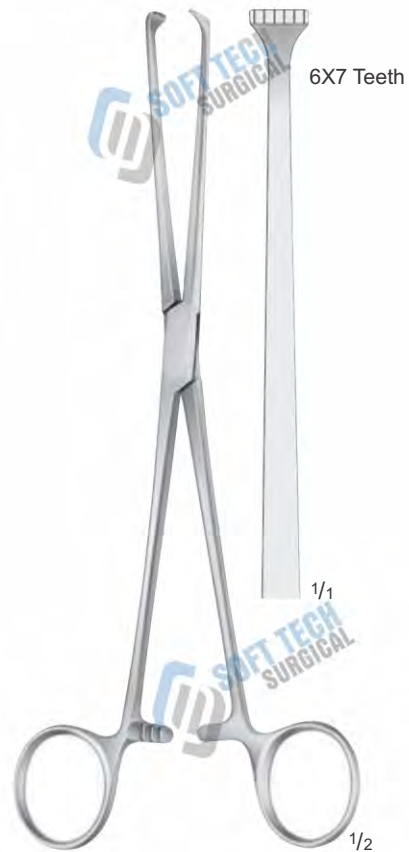


**BABCOCK ORGAN TISSUE
GRASPING FORCEPS**

21-1265
170 mm

21-1266
215 mm

21-1267
220 mm



**ALLIS INTESTINAL TISSUE
GRASPING FORCEPS**
21-1270
220 mm



**FINOCHIETTO
DISSECTING FORCEPS
CURVED
21-1275
245 mm**



**WIKSTRÖM
DISSECTING FORCEPS
CURVED
21-1280
205 mm**



MIXER
DISSECTING CYSTIC FORCEPS
CURVED
21-1285
230 mm



MIXER
DISSECTING FORCEPS
CURVED



MIXTER
DISSECTING LIGATURE
FORCEPS
21-1295
290 mm



BABY SATINSKY
ANASTOMOSIS CLAMP
21-1300
150 mm



SATINSKY
ANASTOMOSIS CLAMP
21-1305
265 mm



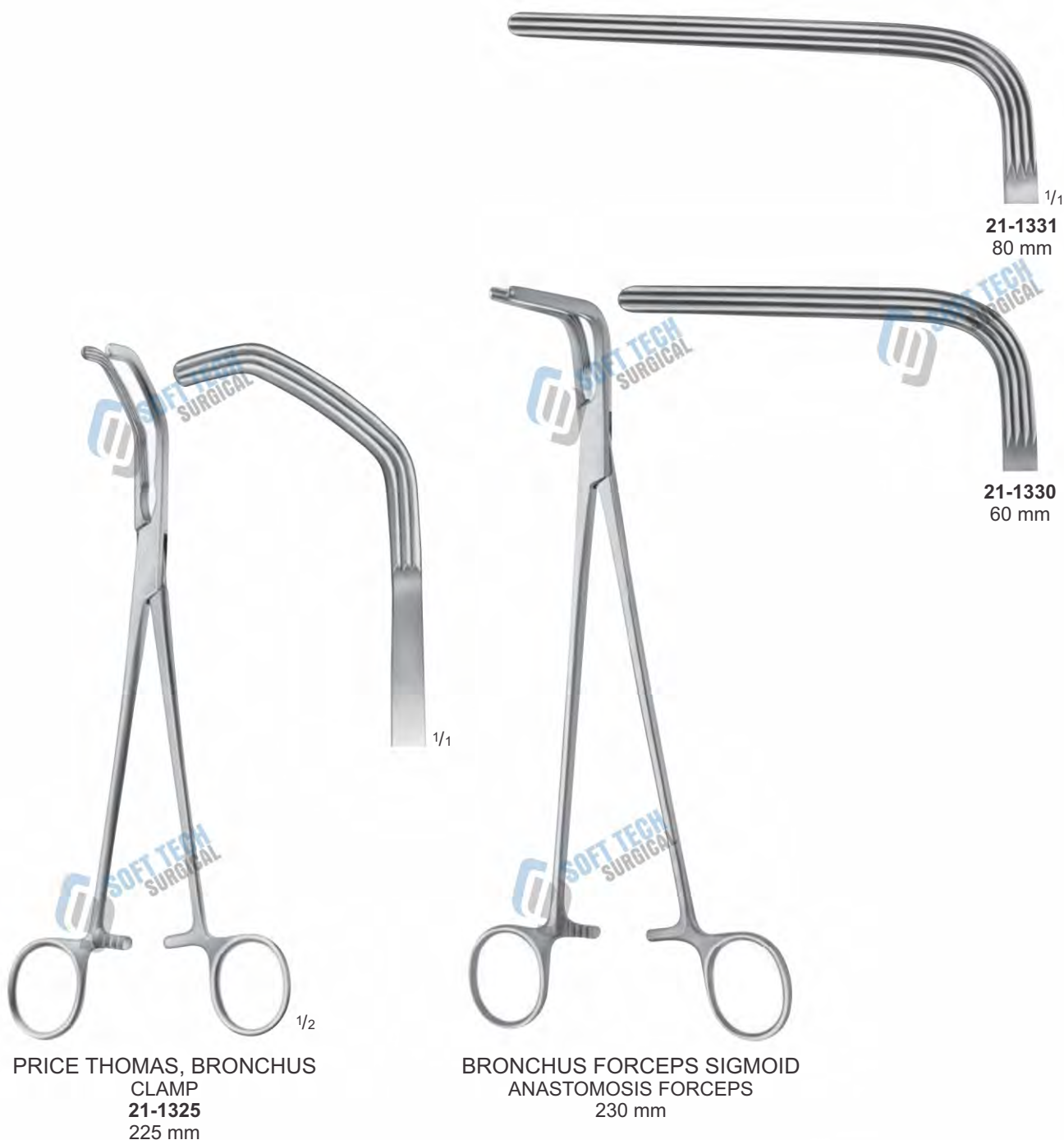
SATINSKY
ANASTOMOSIS CLAMP
21-1310
265 mm



**CRAFOORD-SELLORS
VASCULAR CLAMP**
240 mm



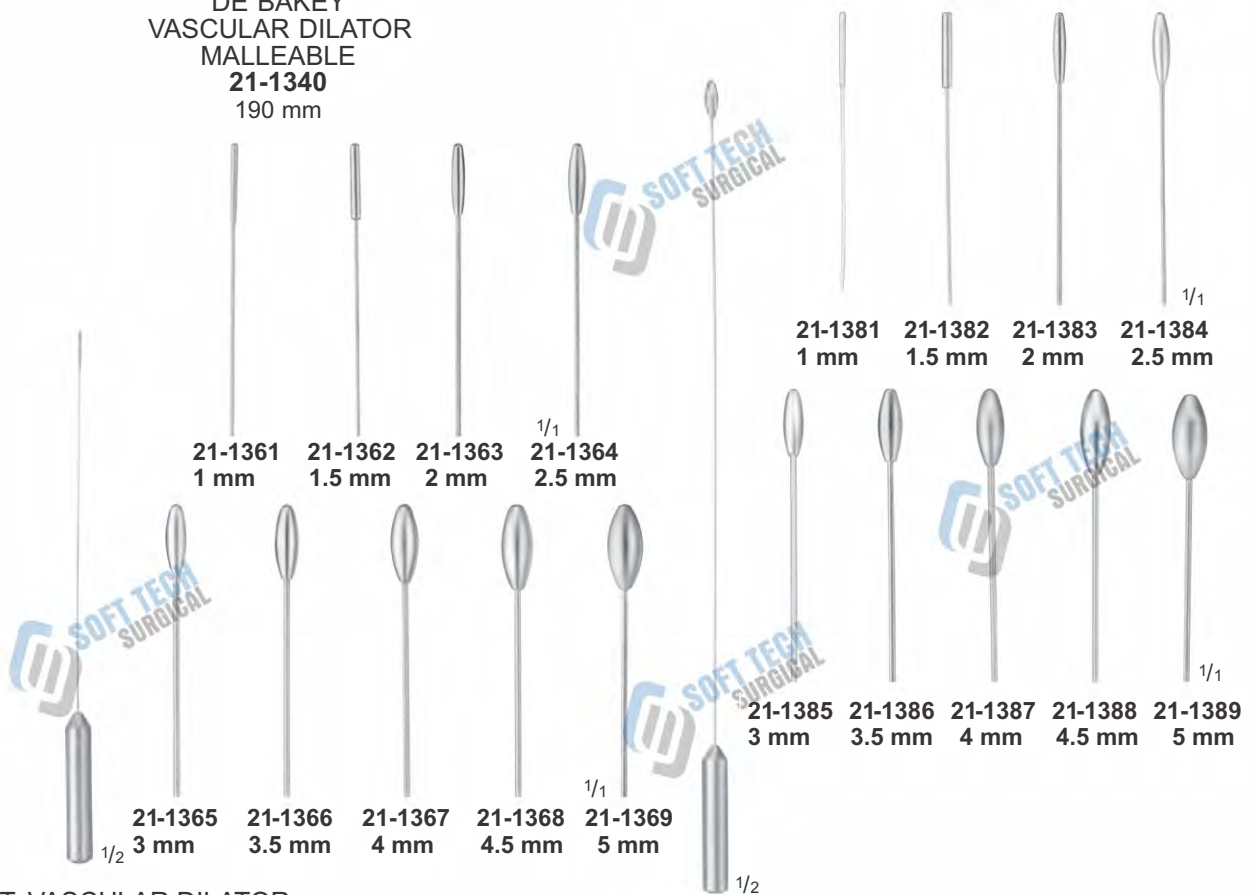
**CRAFOORD
VASCULAR CLAMP**
240 mm



SOFT TECH Surgical, Manufacturer & Exporter of Quality Instruments



DE BAKY
VASCULAR DILATOR
MALLEABLE
21-1340
190 mm



GARRETT, VASCULAR DILATOR
21-1360
Complete Set, (9 Pcs)
140 mm

GARRETT, VASCULAR DILATOR
21-1380
Complete Set, (9 Pcs)
215 mm



**HALLE, ELEVATOR
BLUNT
21-1400
180 mm**



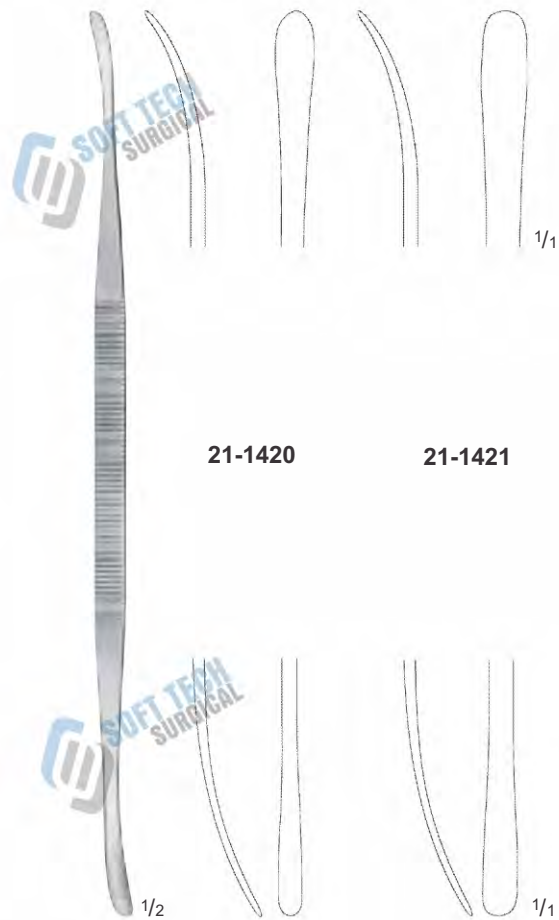
**FREER, RASPATORY
SHARP / BLUNT
21-1405
185 mm**



SCHMID DISSEKTOR BLUNT



**DAVIS DISSECTOR
21-1415
245 mm**

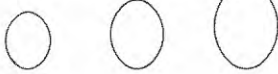


**TOENNIS DISSECTOR
240 mm**

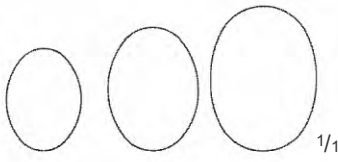
SOFT TECH Surgical, Manufacturer & Exporter of Quality Instruments



21-1430 2 mm
21-1431 3 mm
21-1432 4 mm



21-1433 6 mm
21-1434 7 mm
21-1435 8,5 mm



21-1436 10 mm
21-1437 12 mm
21-1438 14 mm



**RING STRIPPER
WITHOUT HANDLE**
550 mm



**HANDLE
ONLY**
21-1450
110 mm



**RUMEL BELMONT
TOURNOQUET**
21-1455
4 mm
325 mm



**MANDRIN
GUIDE ONLY**
21-1460



GUIDE ONLY
21-1465



RIB SHEARS
21-1470
230 mm



GLUCK RIB SHEARS
21-1475
190 mm



BETHUNE RIB SHEARS
21-1480
340 mm



BRUNNER RIB SHEARS
UNIVERSAL PATTERN
21-1485
340 mm



GIERTZ STILLE RIB SHEARS
21-1490
250 mm

SOFT TECH Surgical, Manufacturer & Exporter of Quality Instruments



SEM B, BONE HOLDING
FORCEPS
21-1495
190 mm



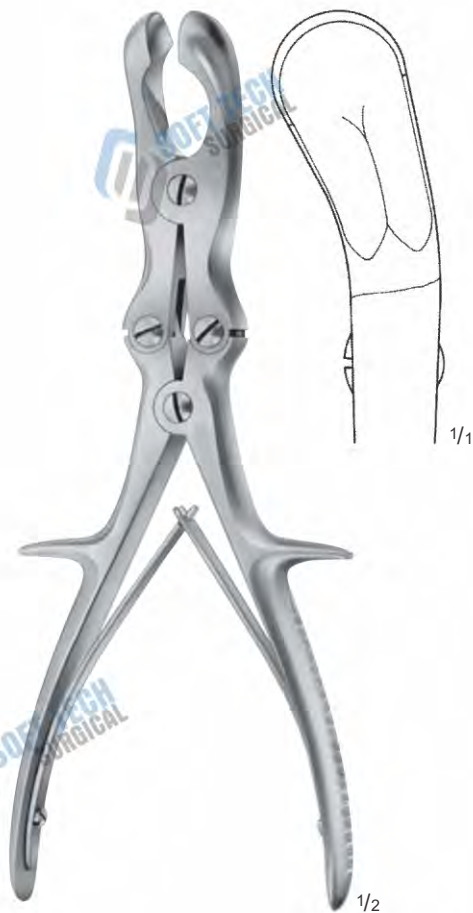
SEM B, BONE HOLDING
FORCEPS
21-1500
190 mm



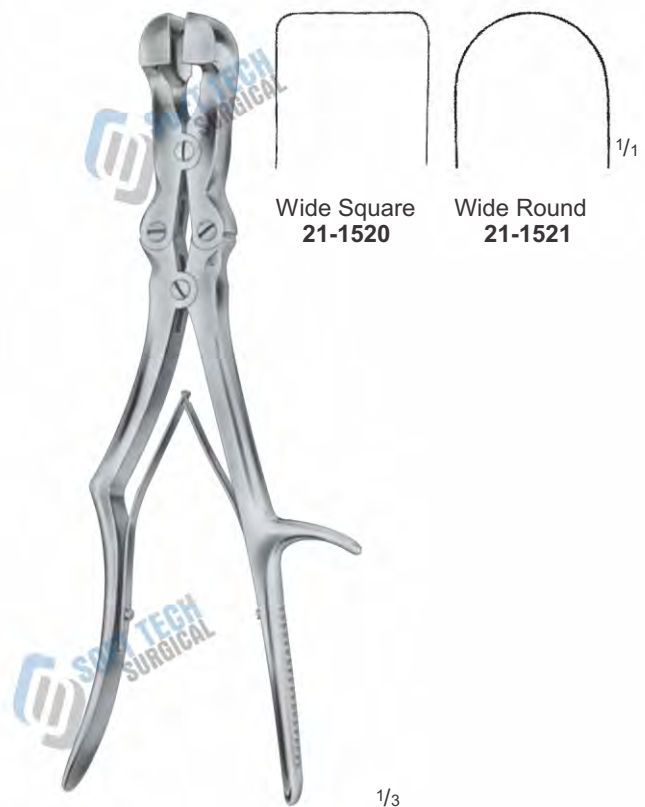
LISTON- STILLE,
BONE CUTTING
FORCEPS
21-1505
265 mm



LISTON-KEY, BONE CUTTING
FORCEPS, S-SHAPED
21-1510
255 mm



SEMBO, BONE RONGEUR
21-1515
240 mm



SAUERBRUCH CORYLLOS,
BONE RONGEUR
310 mm

SOFT TECH Surgical, Manufacturer & Exporter of Quality Instruments



DOYEN RASPATORY
FOR CHILDREN
175 mm



DOYEN RASPATORY
240 mm



DOYEN RASPATORY
FOR ADULT
175 mm



SEMB
RASPATORY

21-1540
190 mm

21-1541
230 mm

21-1542
230 mm

21-1543
230 mm

21-1544
230 mm



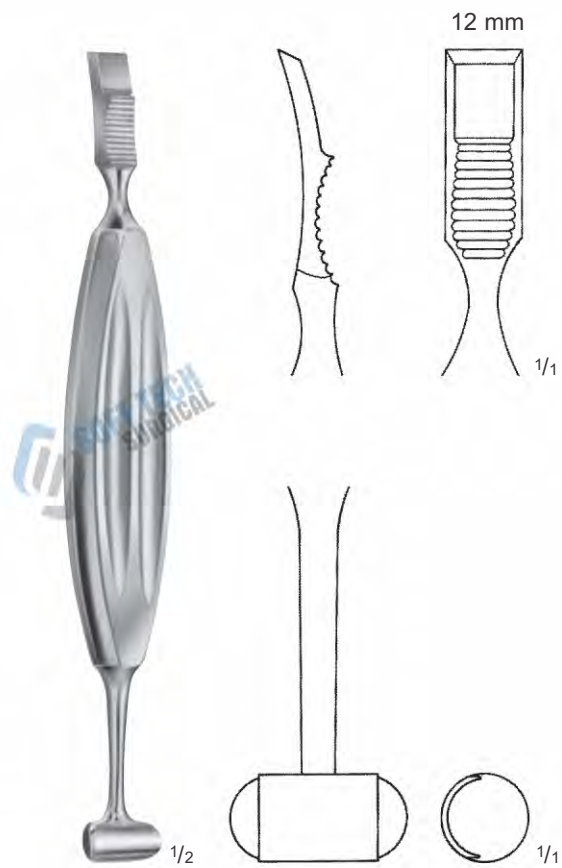
LANGENBECK RASPATORY
21-1550
190 mm

SOFT TECH Surgical, Manufacturer & Exporter of Quality Instruments



LAMBOTTE RASPATORY 215mm

- 21-1560 5 mm
- 21-1561 10 mm
- 21-1562 15 mm
- 21-1563 20 mm
- 21-1664 25 mm



ALEXANDER RASPATORY

- 21-1570
- 210 mm



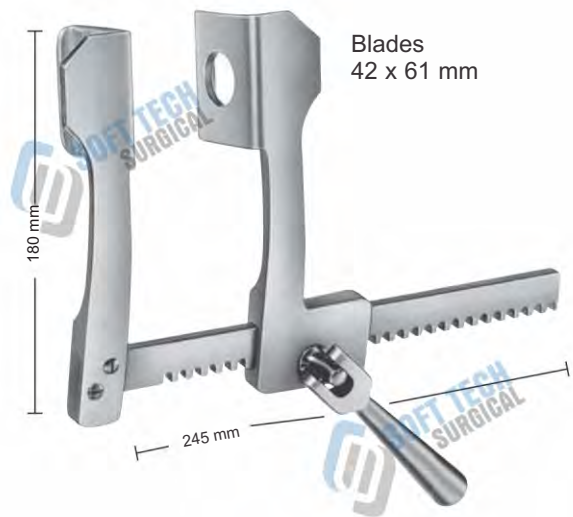
FINOCHIETTO RIB SPREADER
21-1575



FINOCHIETTO RIB SPREADER
21-1580

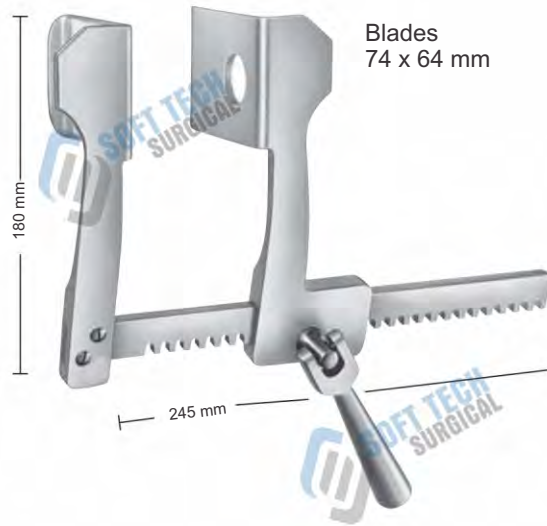


FINOCHIETTO RIB SPREADER
21-1585

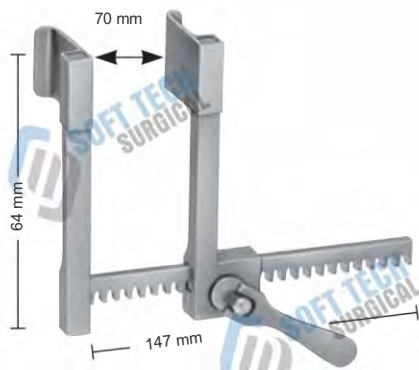


FINOCHIETTO RIB SPREADER
21-1590

SOFT TECH Surgical, Manufacturer & Exporter of Quality Instruments



**FINOCHIETTO RIB SPREADER
21-1595**



**STRUCK, STERNUM
SPREADER COMPLETE SET
21-1600**



21-1601 Blades
10 x 10 mm



21-1602 Blades
15 x 20 mm



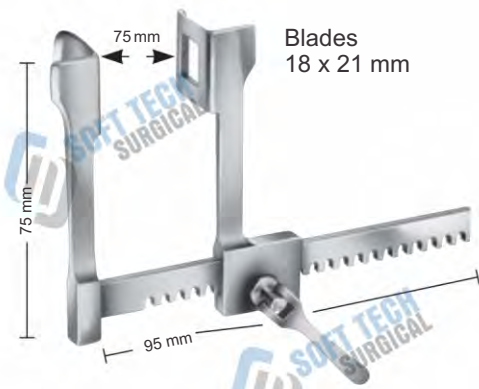
21-1604 Blades
15 x 20 mm



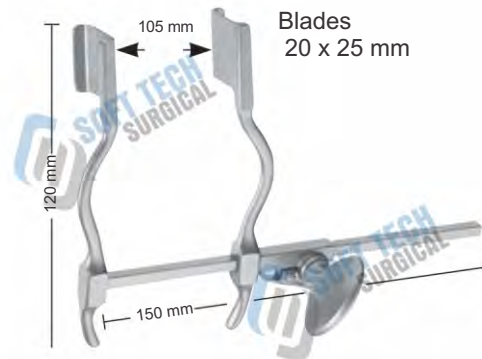
21-1603 Blades
10 x 20 mm



21-1605 Blades
20 x 20 mm



FINOCHIETTO RIB SPREADER
21-1610



HERTZLER SELF RETAINING
RETRACTOR RIB SPREADER
21-1615

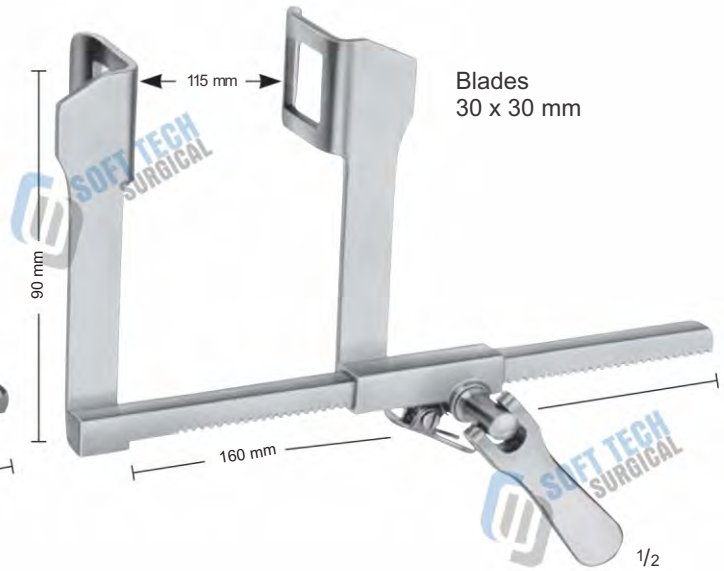


TUFFIER RIB SPREADER
21-1620

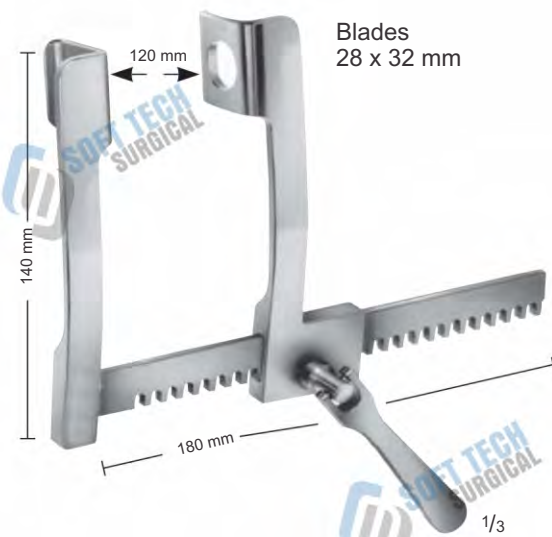
SOFT TECH Surgical, Manufacturer & Exporter of Quality Instruments



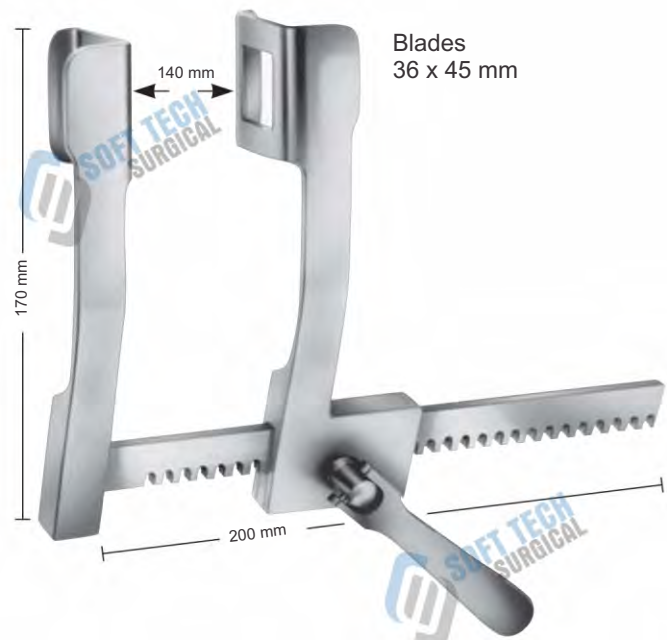
**TUFFIER RIB SPREADER
21-1625**



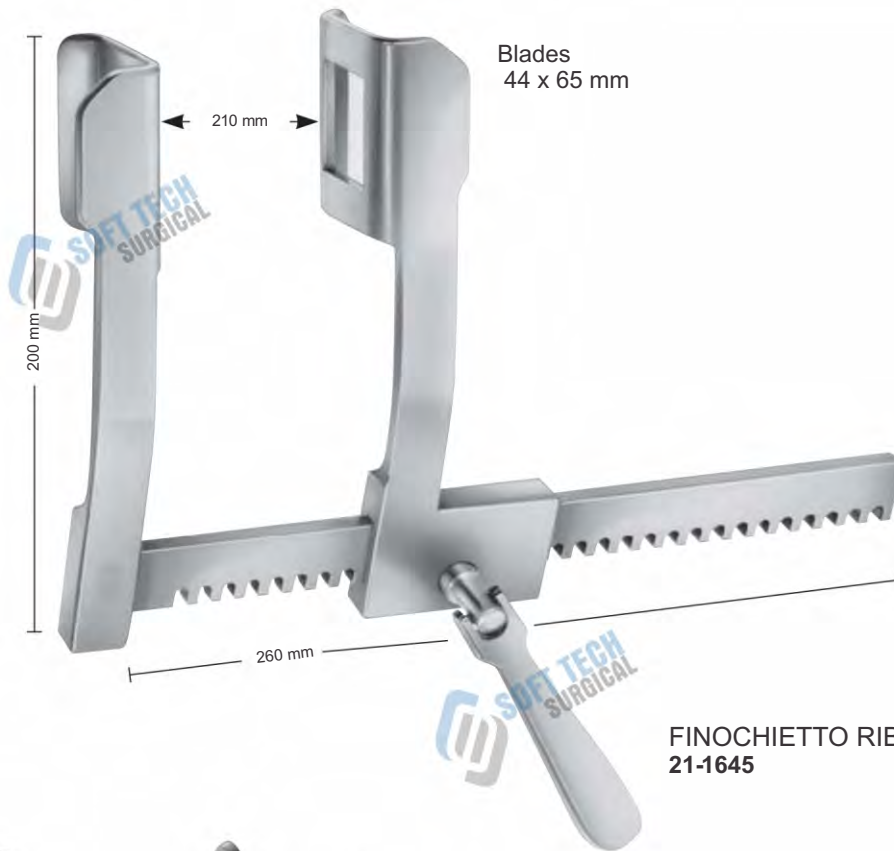
**HAIGH RIB SPREADER
21-1630**



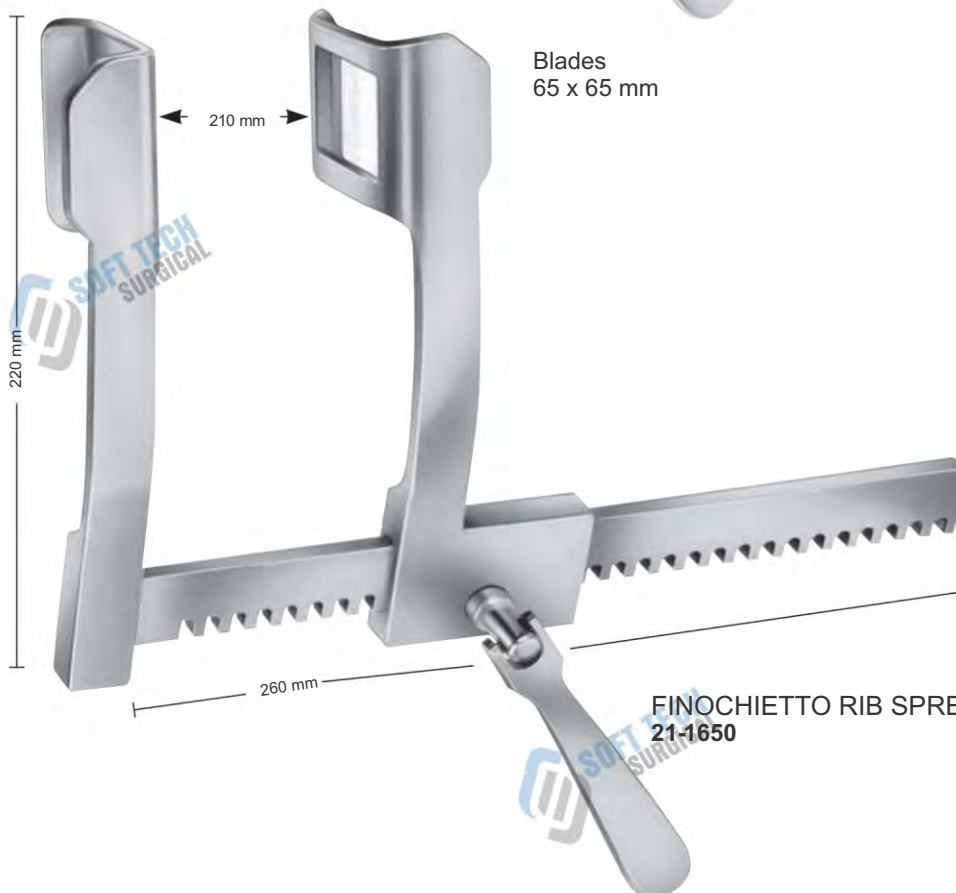
**FINOCHIETTO RIB SPREADER, BLADES
21-1635**



**FINOCHIETTO RIB SPREADER
21-1640**



**FINOCHIETTO RIB SPREADER
21-1645**



**FINOCHIETTO RIB SPREADER
21-1650**



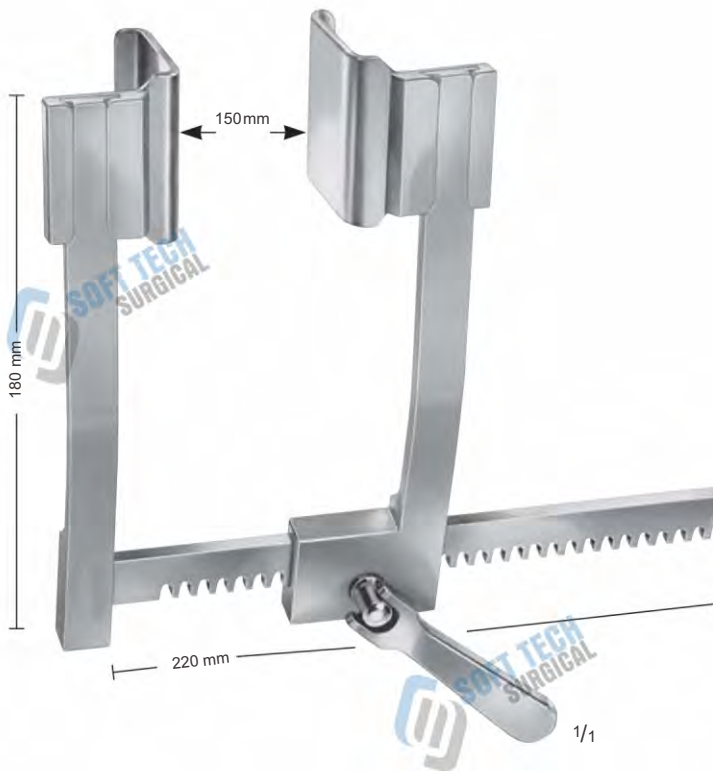
21-1666
30 x 30 mm Blades



21-1667
40 x 40 mm Blades



21-1668
50 x 50 mm Blades



**DE BAKEY RIB
SPREADER**

21-1660

Spreader only

21-1665 Blades (pair)

21-1666 Blades (pair)

21-1667 Blades (pair)

21-1668 Blades (pair)



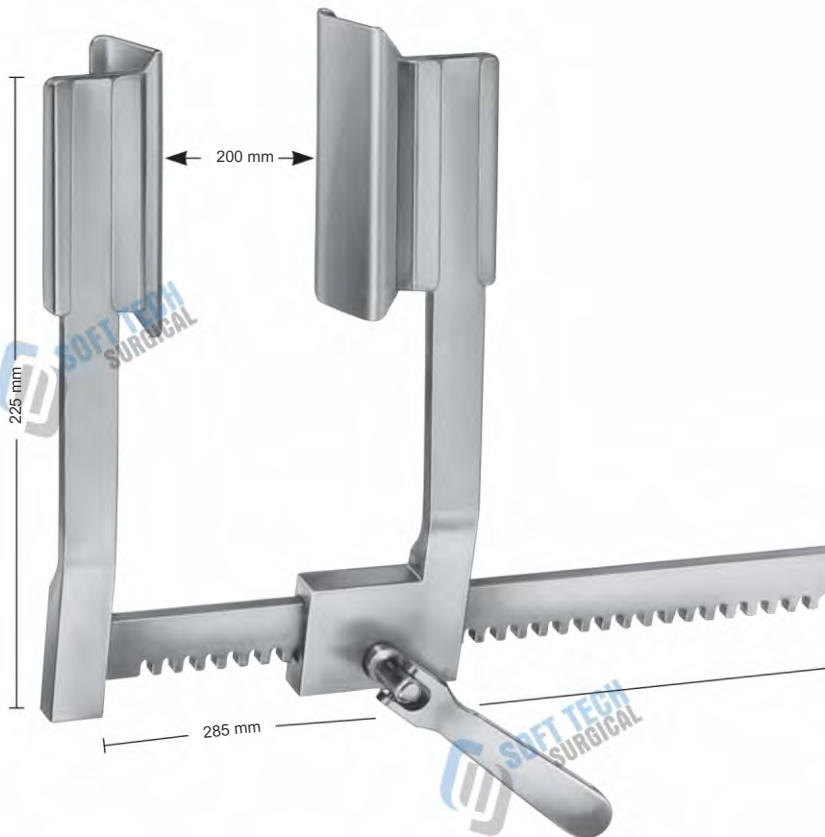
21-1671
50 x 66 mm
Sternotomy blades

21-1673
60 x 60 mm Blades



21-1674
50 x 80 mm Blades

21-1675
40 x 100 mm Blades



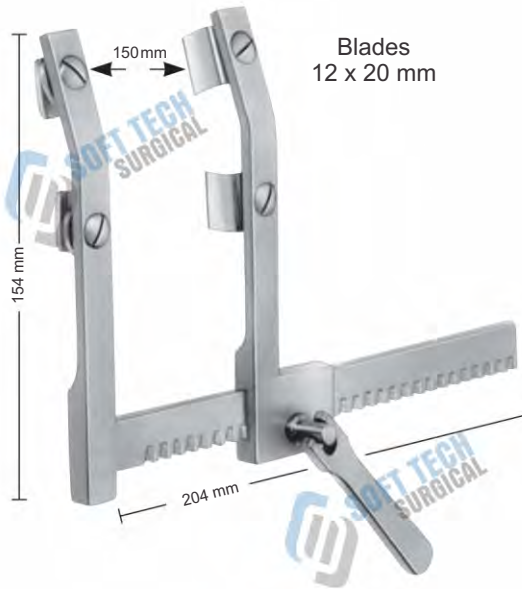
DE BAKY RIB SPREADER COMPLETE

- 21-1670**
- 21-1672** Spreader only
- 21-1673** Blades (pair)
- 21-1674** Blades (pair)
- 21-1675** Blades (pair)
- 21-1676** Blades (pair)

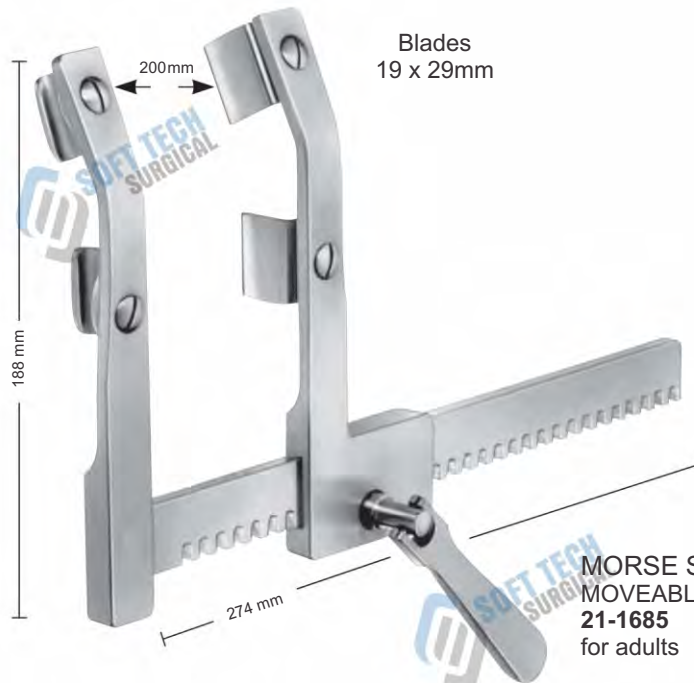


21-1676
80 x 60 mm Blades

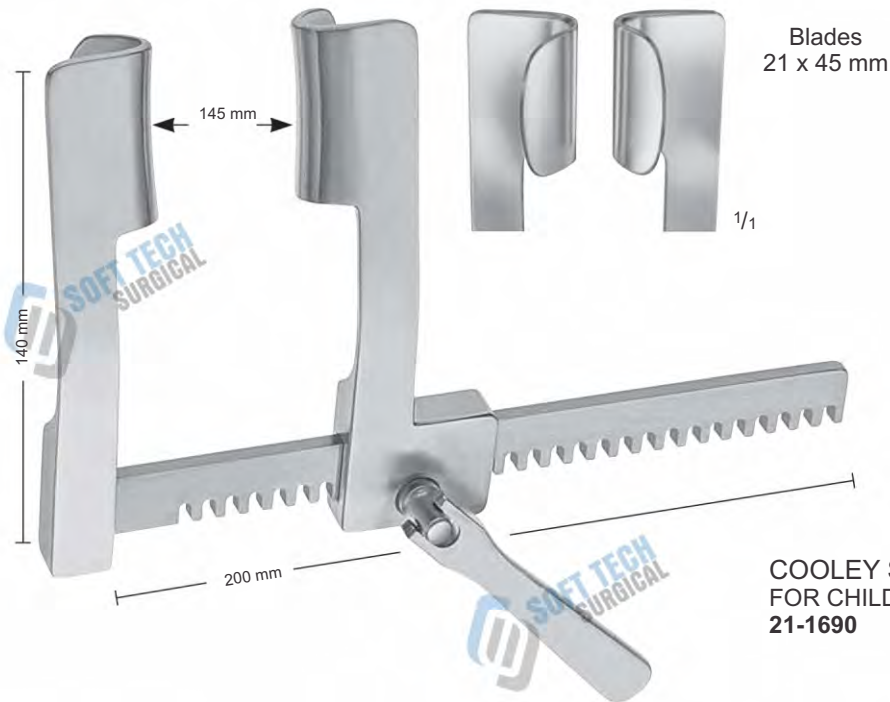
SOFT TECH Surgical, Manufacturer & Exporter of Quality Instruments



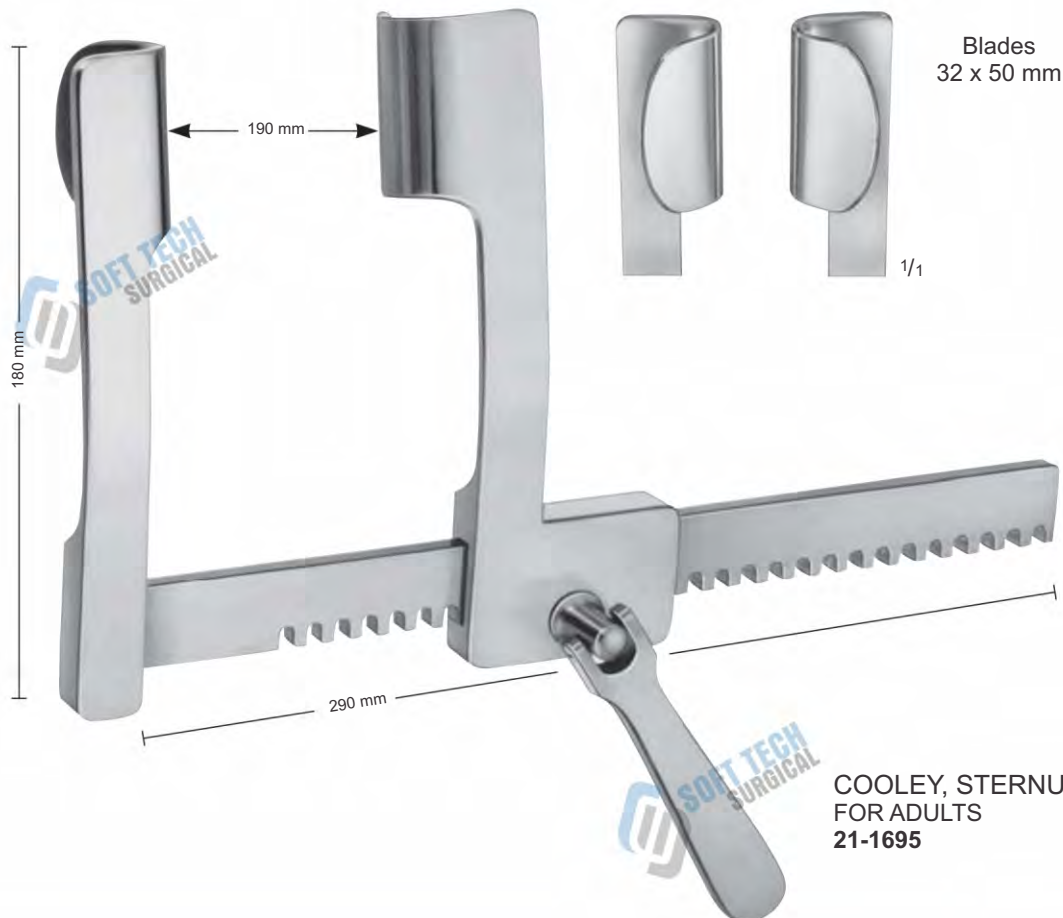
MORSE STERNUM SPREADER
MOVEABLE DOUBLE BLADES
21-1680
for children



MORSE STERNUM SPREADER
MOVEABLE DOUBLE BLADES
21-1685
for adults



COOLEY STERNUM SPREADER
FOR CHILDREN
21-1690



COOLEY, STERNUM SPREADER
FOR ADULTS
21-1695

SOFT TECH Surgical, Manufacturer & Exporter of Quality Instruments



21-1703
Blades 75 x 75 mm



21-1702
Blades 42 x 65 mm

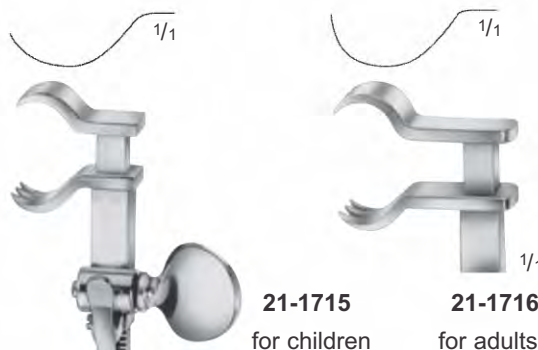


**THORACIC RETRACTOR
COMPLETE
21-1700**

- 21-1701** Retractor only
- 21-1702** Blades (pair)
- 21-1703** Blades (pair)



SELLORS RIB
APPROXIMATE & SPREADER
WITH SWIVEL BLADES
21-1705
200 mm



21-1715
for children

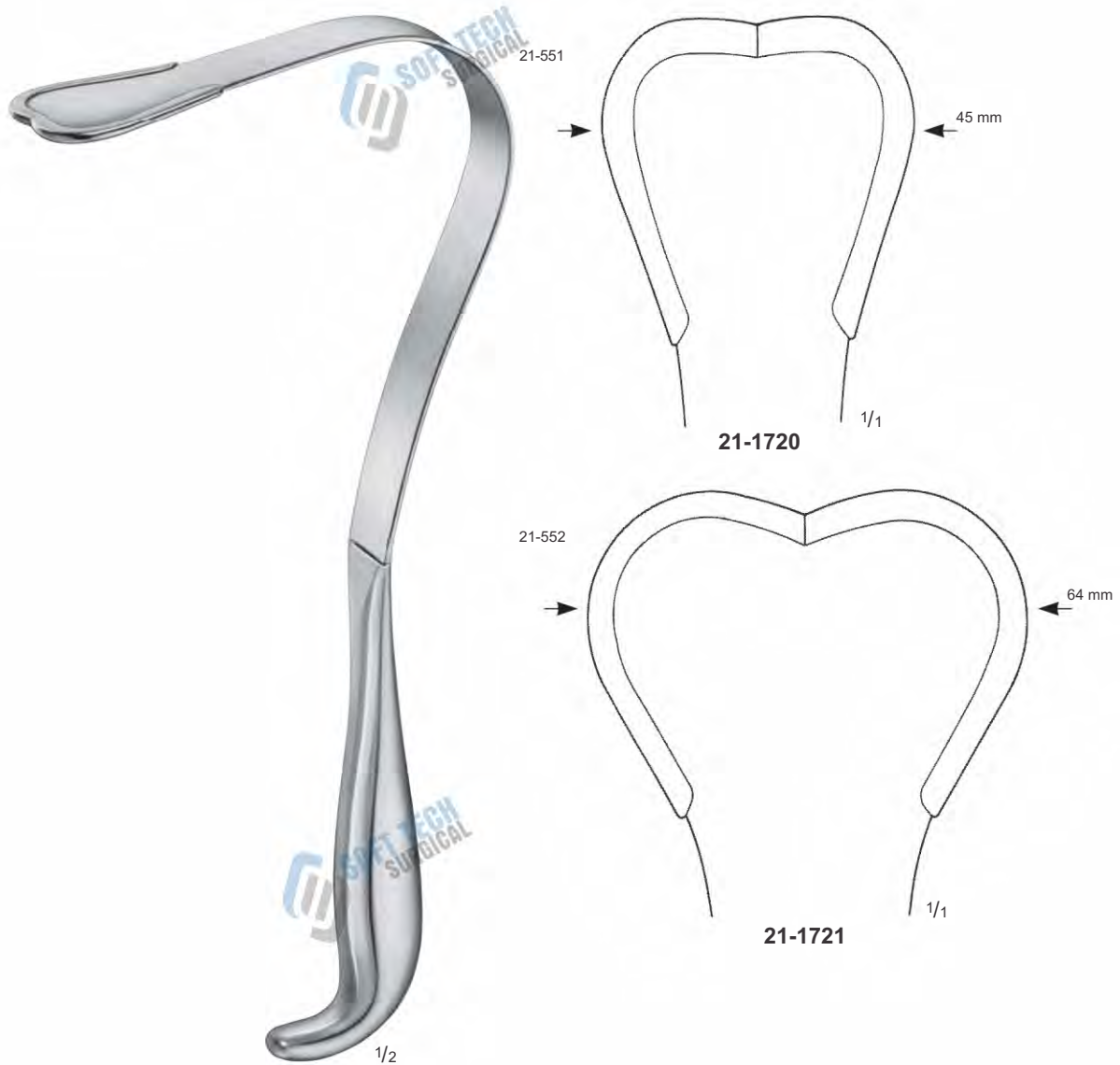
21-1716
for adults



BAILEY RIB
APPROXIMATE & SPREADER
21-1710
150 mm



BAILEY RIB
APPROXIMATE & SPREADER
200 mm



HARRINGTON RETRACTOR FLEXIBLE

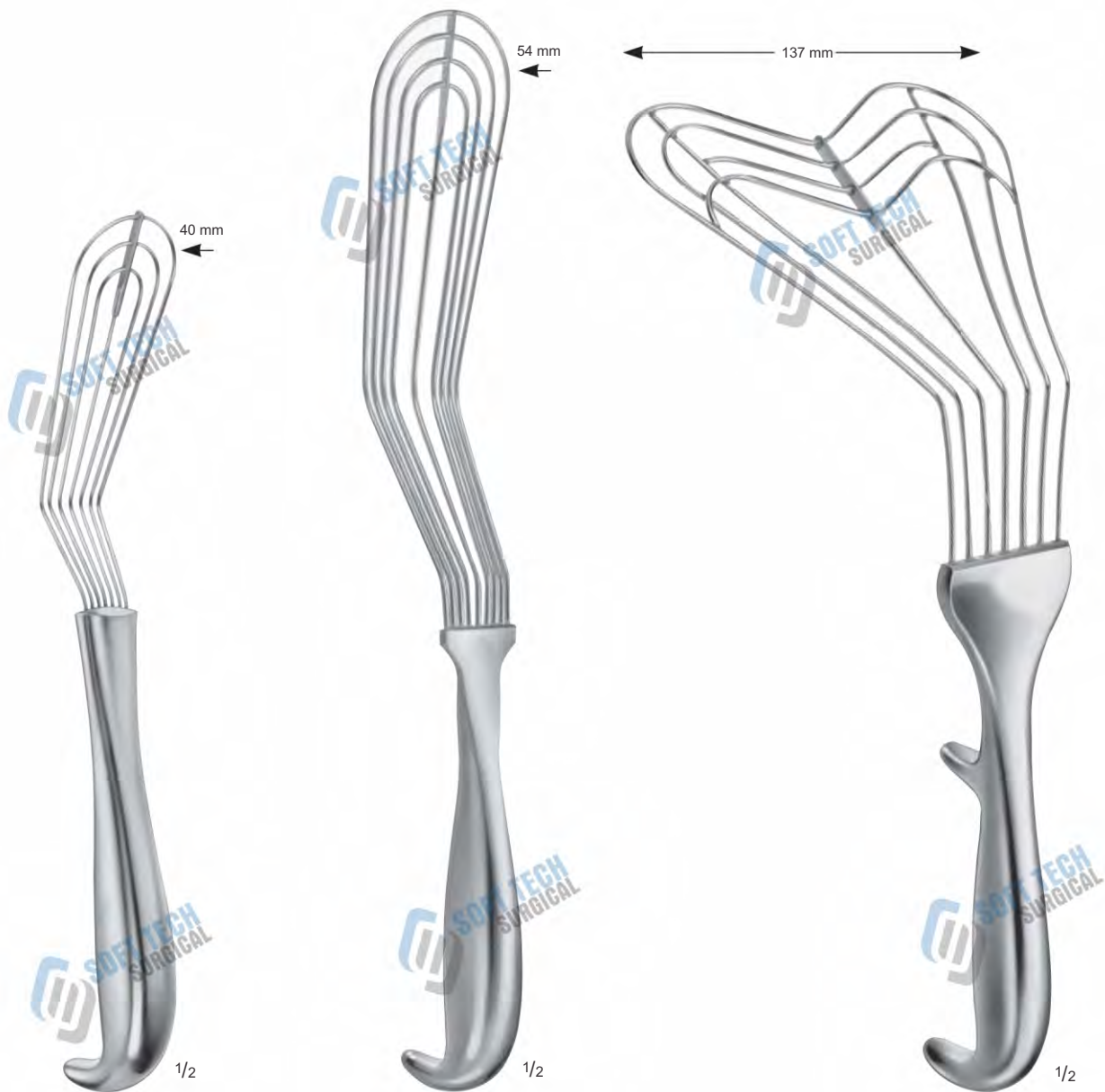
21-1720 123 x 45 mm
21-1721 123 x 64 mm
 295 mm



HARRINGTON- PEMBERTON, RETRACTOR
FLEXIBLE
21-1725
175 x 64 mm
295 mm



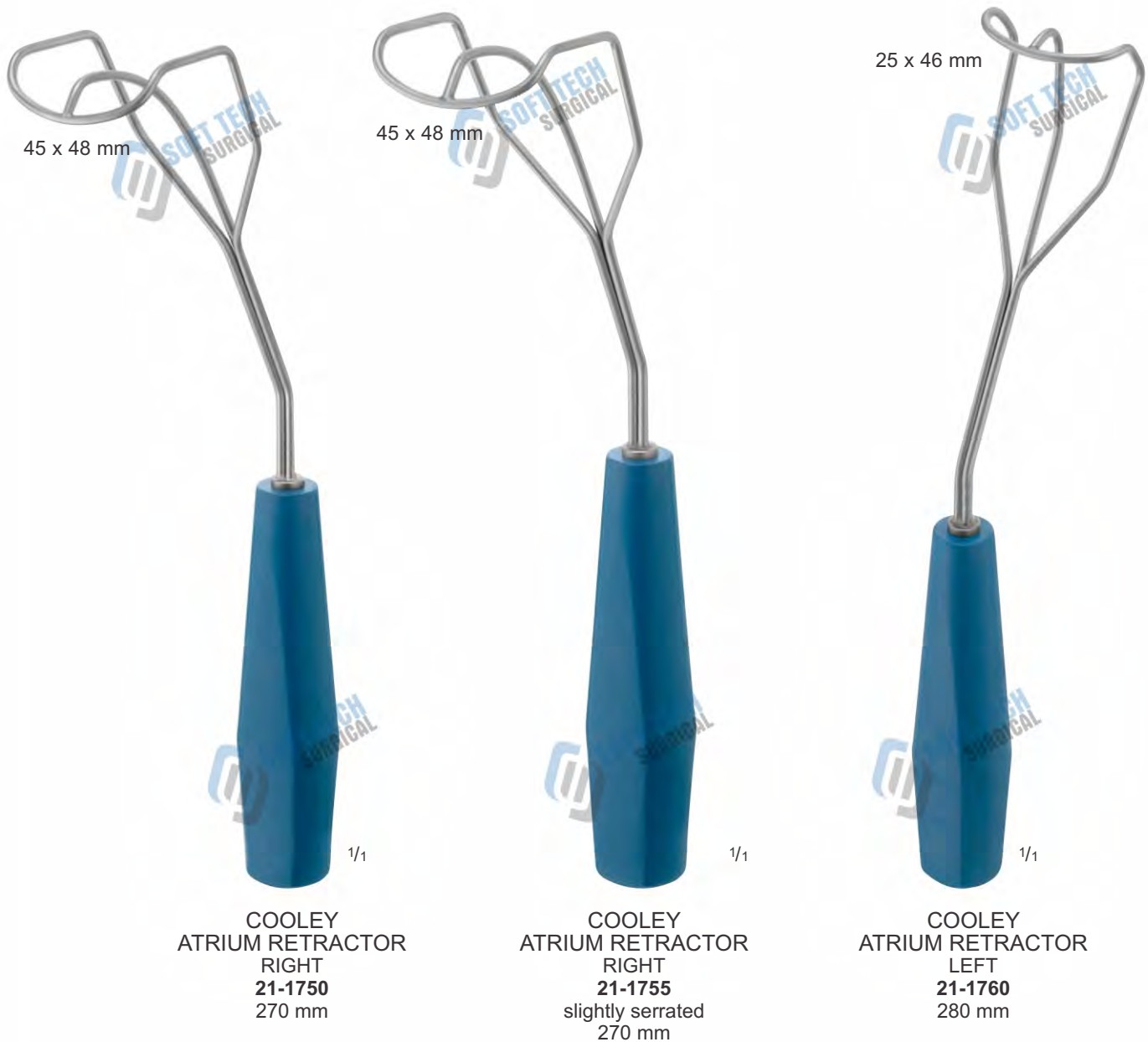
DAVIDSON SCAPULA RETRACTOR
21-1730
195 mm



ALLISON LUNG SPATULA
11-1735
255 mm

ALLISON LUNG SPATULA
11-1740
320 mm

ALLISON LUNG SPATULA
11-1745
300 mm





COOLEY- STRUCK
ATRIUM RETRACTOR SERRATED
21-1765
265 mm



COOLEY- STRUCK
ATRIUM RETRACTOR SERRATED
21-1766
265 mm

SOFT TECH Surgical, Manufacturer & Exporter of Quality Instruments



21-1770



21-1771



21-1772



21-1773



21-1774



21-1775

BOROWSKI AORTA VALVE RETRACTOR
SHAFT MALLEABLE
270 mm



DE BAKEY, SUCTION CANNULA
WITH FINGER CUT-OFF AND STYLET
21-1780
160 mm



DE BAKEY, SUCTION CANNULA
WITH FINGER CUT-OFF AND STYLET
21-1785
270 mm



FINSTERER, SUCTION CANNULA
21-1790
320 mm



YANKAUER, SUCTION CANNULA
WITH CENTRAL BORE, 2.0 mm
21-1795
285 mm



DE BAKEY, SUCTION CANNULA
WITH CENTRAL BORE, 3.0 mm
21-1800
275 mm



NABATOFF PROBE
TIP, FLEXIBLE PLASTIC
21-1813



NABATOFF PROBE TIP
21-1814
3 mm - metal



21-1815
6 mm



21-1816
9 mm



21-1817
12 mm



21-1818
15 mm
NABATOFF OLIVE



21-1811

NABATOFF, VEIN STRIPPER SET
21-1810

Vein stripper set, consisting of: **21-1811**
Metal case

21-1812 Flexible cable, 36" long **21-1813**

Flexible plastic probe tip **21-1814** Metal
probe tip

21-1815 Metal olive, diam. 6 mm

21-1816 Metal olive, diam. 9 mm

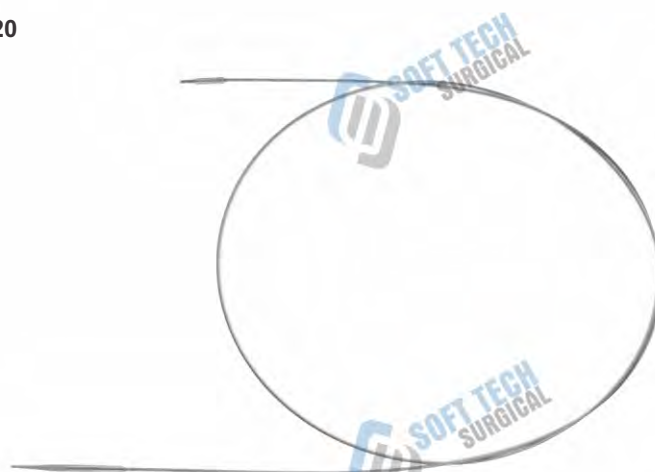
21-1817 Metal olive, diam. 12 mm

21-1818 Metal olive, diam. 15 mm

21-1820 Handle for flexible cable



NABATOFF HANDLE
ONLY
21-1820



NABATOFF CABLE FLEXIBLE
21-1812
900 mm

SOFT TECH Surgical, Manufacturer & Exporter of Quality Instruments



21-1811

**VARADY, MINI VEINSTRIPPER
SET**

- 21-1830** Metal case
- 21-1811** Metal case
- 21-1831** Flexible cable, 17 1/2" long,
polyethylene coating
- 21-1833** Metal olive, diam. 3 mm
- 21-1834** Metal olive, diam. 4 mm
- 21-1835** Metal olive, diam. 5 mm

VARADY OLIVE ONLY



**VARADY CABLE FLEXIBLE
POLYETHYLENE COATING**

21-1831
450 mm



**SOFT TECH
SURGICAL**


General Surgery Instruments Catalogue

SOFT TECH Surgical

Muslim Town, Airport Road
Kotli Behram, Sialkot 51310
Pakistan.

Email : info@softtechsurgical.com
Website : www.softtechsurgical.com

Phone : +92 52 3573488
+92 52 3242929
+92 52 4264934
Fax : +92 52 3242929

 +92 336 4770459