



**SOFT TECH**  
**SURGICAL**

**19**

**Biopsy  
Instruments  
&  
Curettes**



SOFT TECH Surgical, Manufacturer & Exporter of Quality Instruments



SCAPEL HANDLE  
FITTING NO.3  
FOR BLADES 10-15  
AND 40, 42,  
ANGULAR CURVED  
**19-0100**  
225 mm



SAUNDERS, IUD  
REMOVAL HOOK  
**19-0105**  
320 mm



ASCH UTERINE SECRETION  
SCOOP DOUBLE ENDED,  
MALLEABLE  
**19-0110**  
200 mm





THOMS- GAYLOR, BIOPSY FORCEPS  
**19-0135**  
240 mm



SCHUBERT, BIOPSY FORCEPS  
**19-0140**  
260 mm



FAURE, BIOPSY FORCEPS  
19-0145  
210 mm



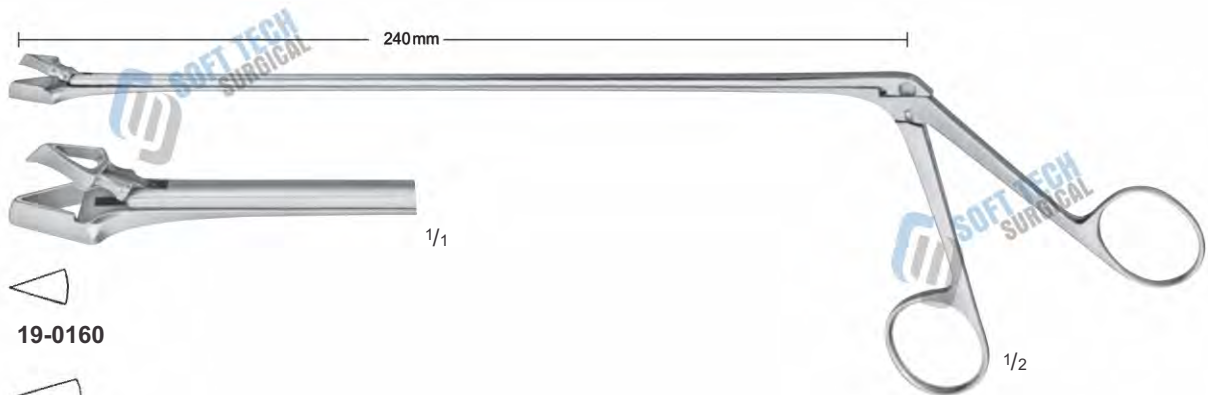
FAURE, BIOPSY FORCEPS  
19-0150  
240 mm



SOFT TECH Surgical, Manufacturer & Exporter of Quality Instruments



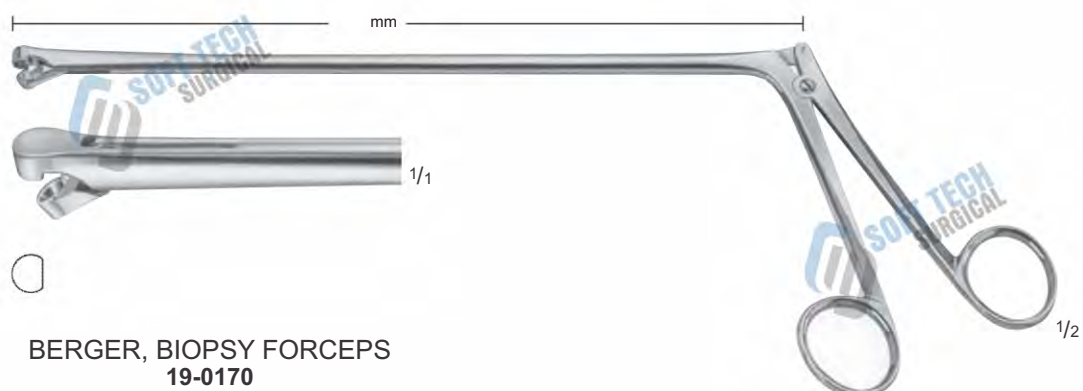
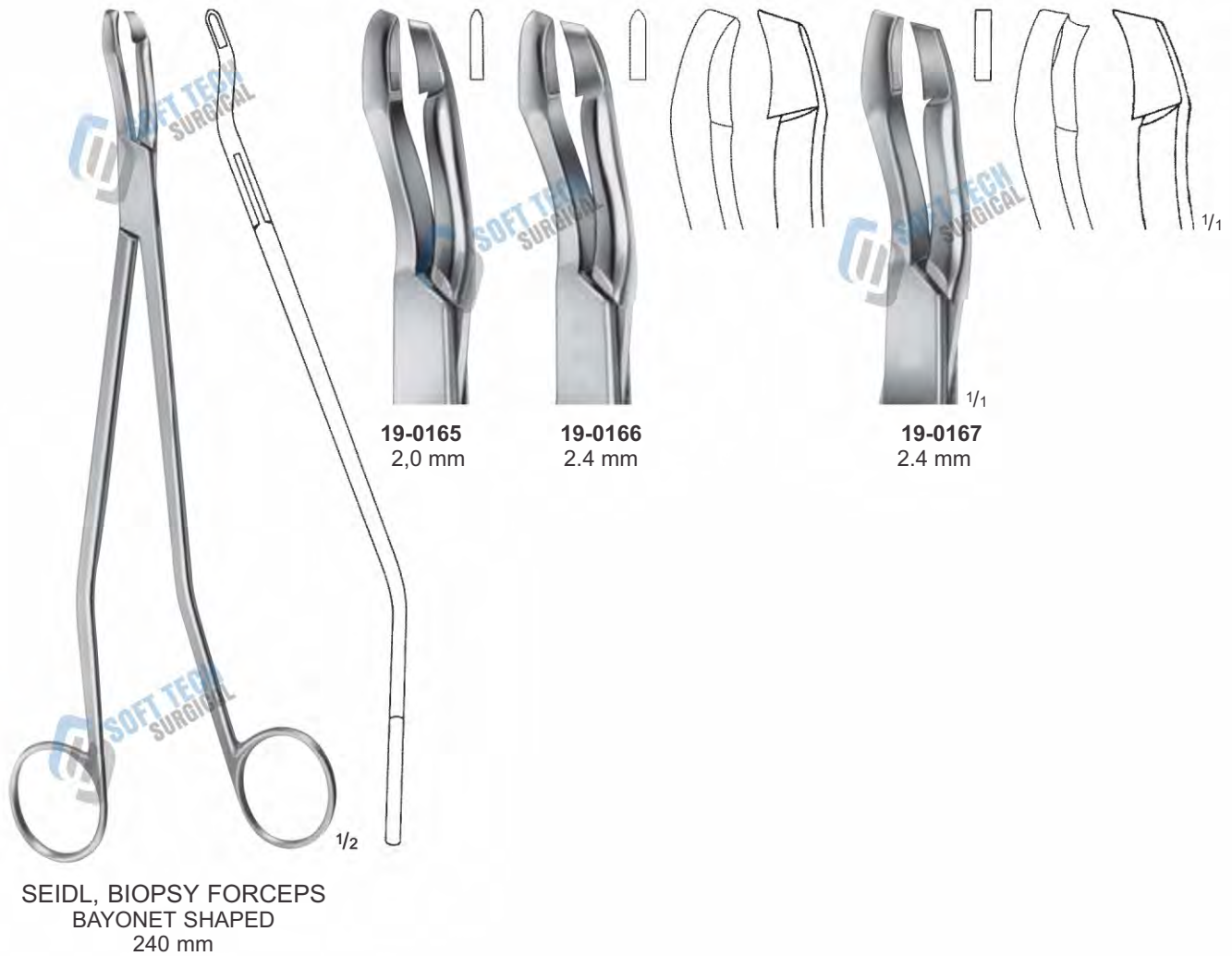
SCHUMACHER, BIOPSY FORCEPS  
240 mm



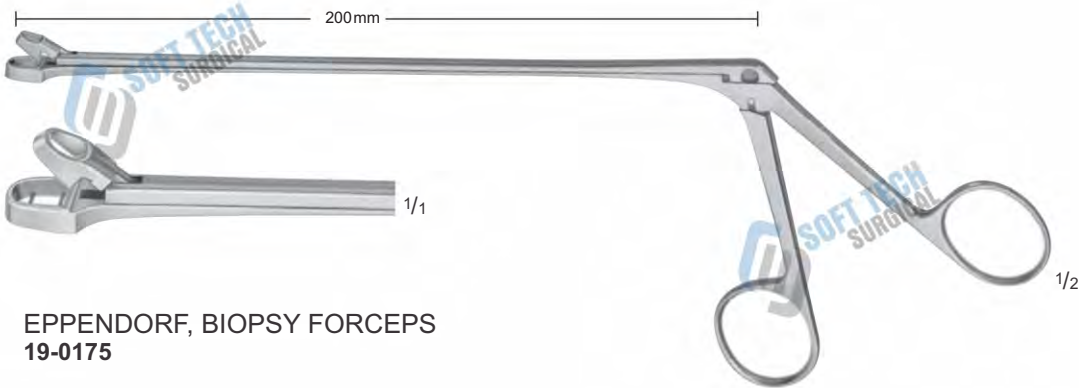
19-0160

19-0161

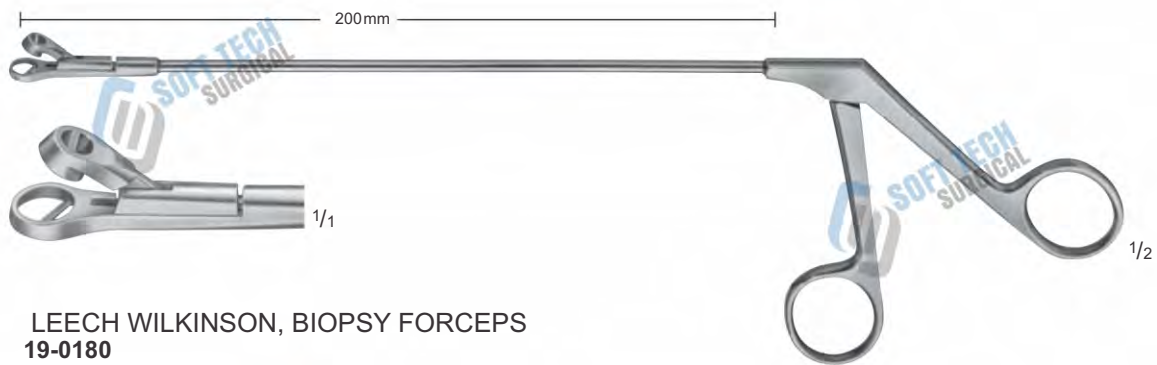
SCHUMACHER, BIOPSY FORCEPS  
LENGTH 240 mm, 9½", SUITABLE FOR COLPOSCOPY  
240 mm



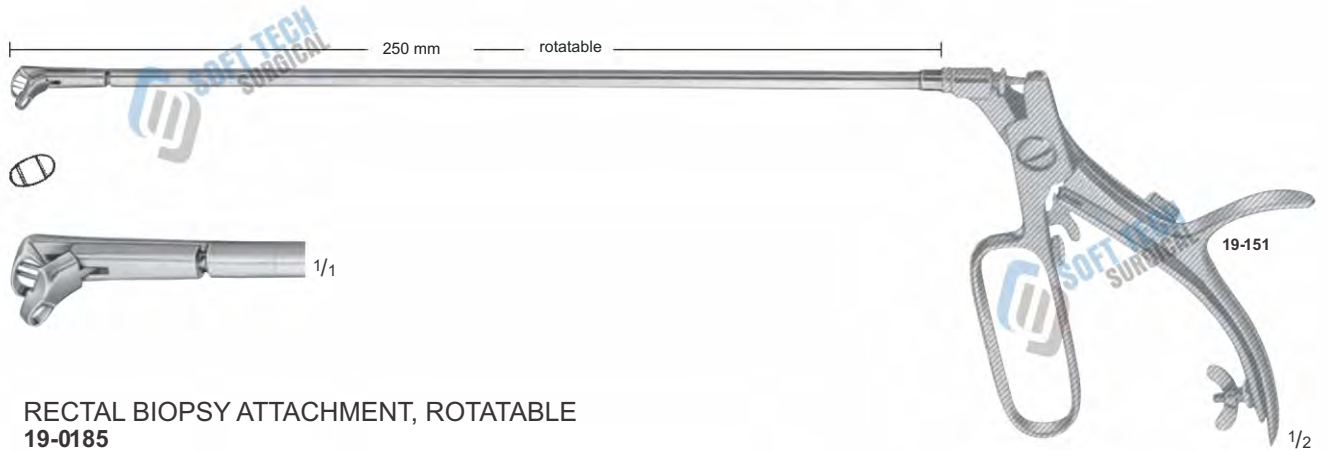
SOFT TECH Surgical, Manufacturer & Exporter of Quality Instruments



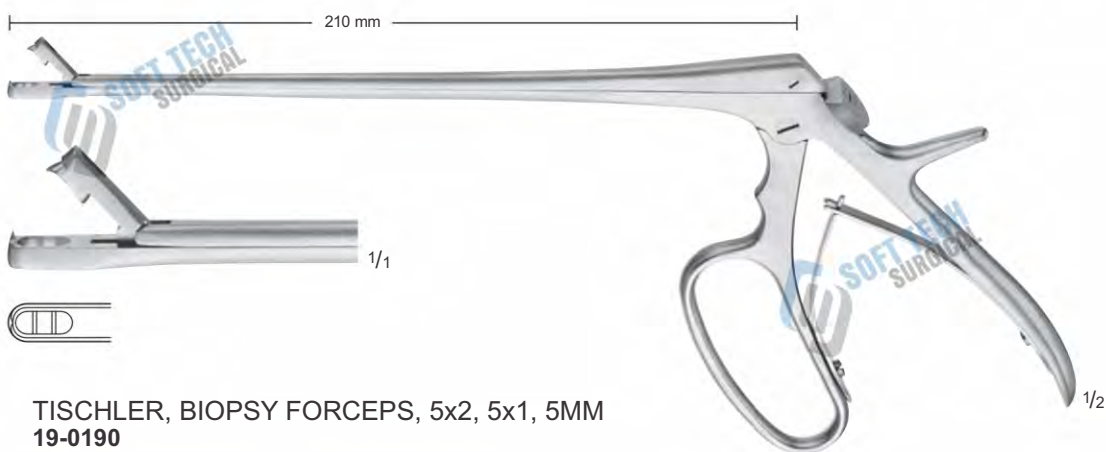
**EPPENDORF, BIOPSY FORCEPS  
19-0175**



**LEECH WILKINSON, BIOPSY FORCEPS  
19-0180**

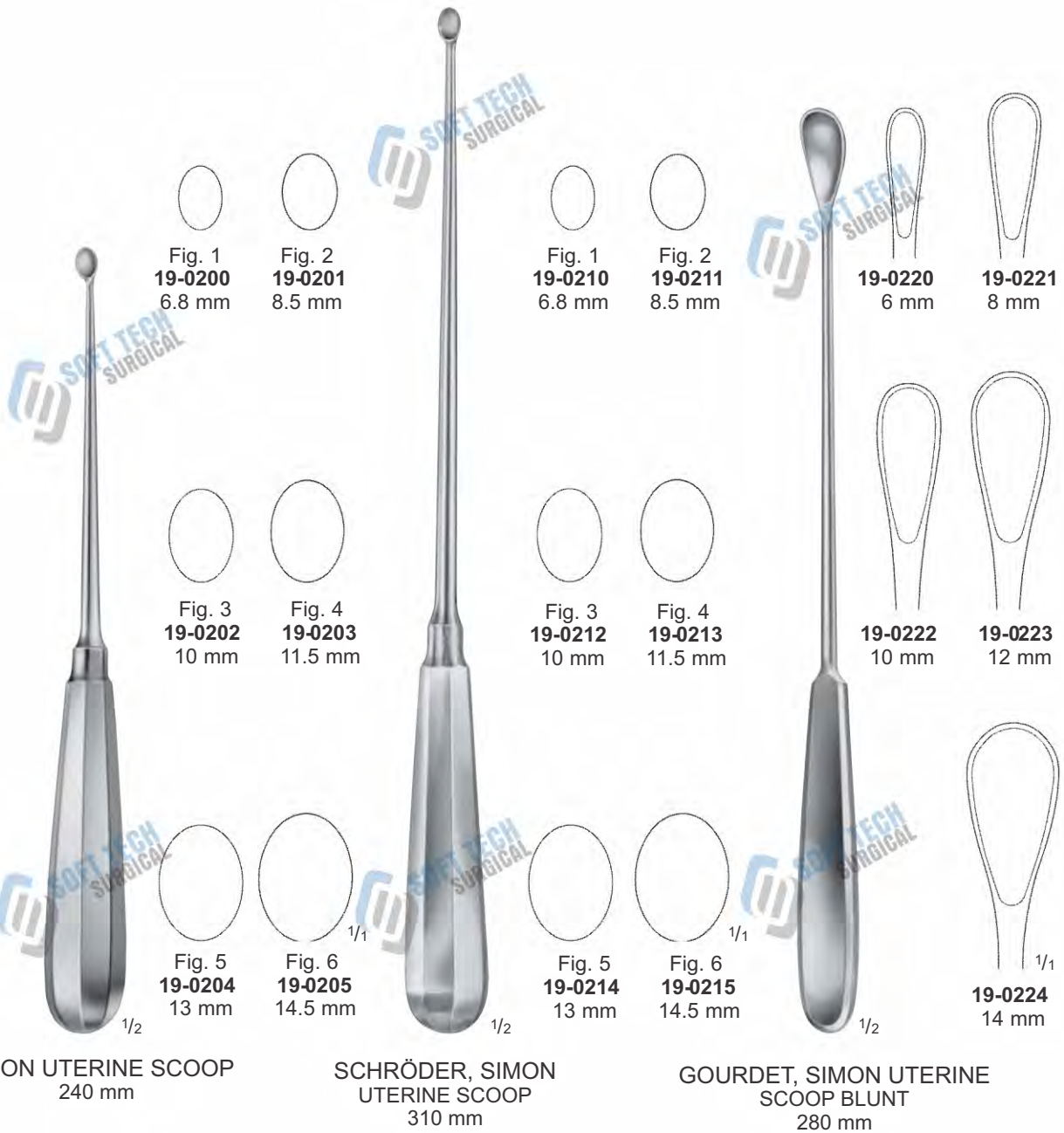


**RECTAL BIOPSY ATTACHMENT, ROTATABLE  
19-0185**



**TISCHLER, BIOPSY FORCEPS, 5x2, 5x1, 5MM  
19-0190**





SOFT TECH Surgical, Manufacturer & Exporter of Quality Instruments



RECAMIER UTERINE  
CURETTE  
300 mm

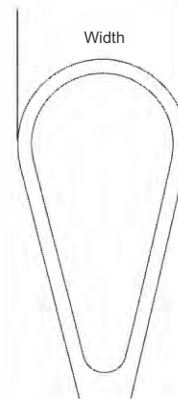
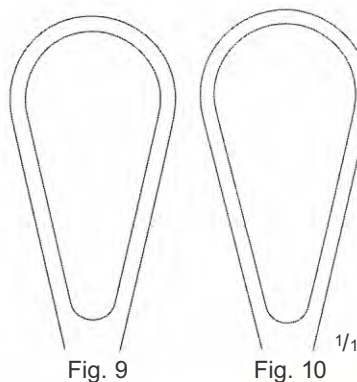
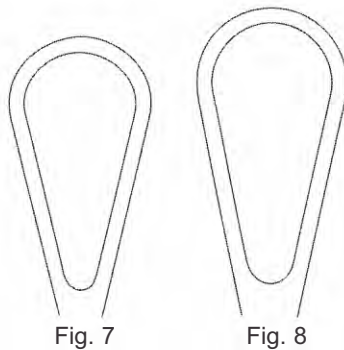
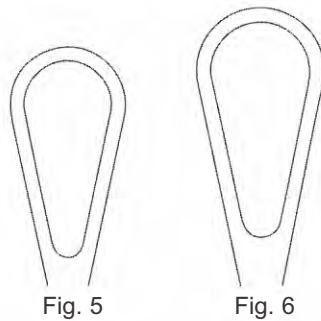
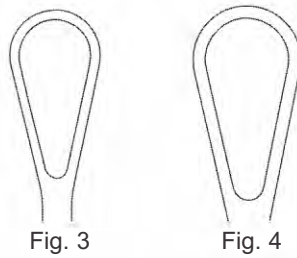
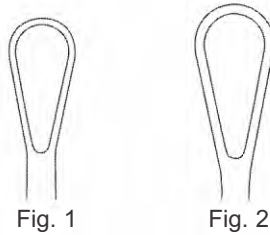
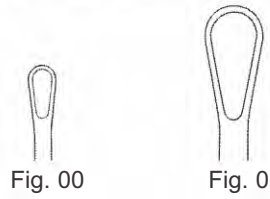
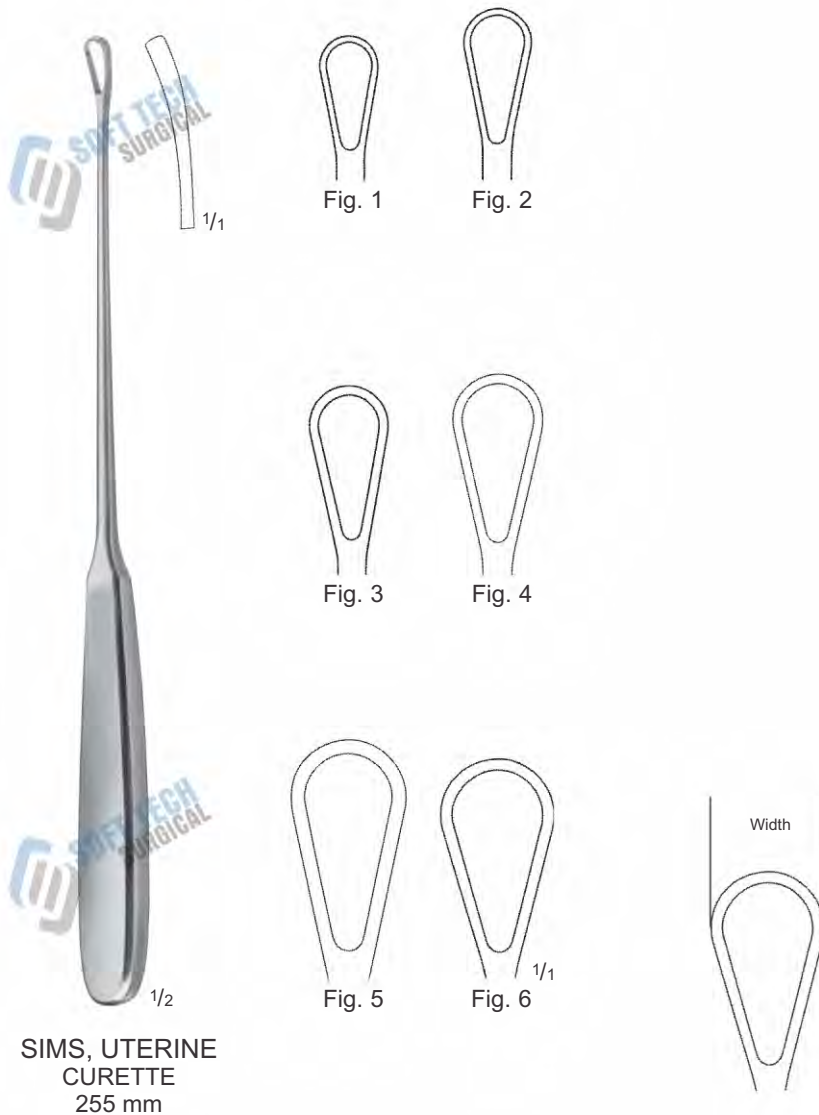


Fig.	Width	sharp rigid	sharp malleable	blunt rigid
00	4.5 mm	<b>19-0230</b>		
0	7.5 mm	<b>19-0231</b>		<b>19-0260</b>
1	8.5 mm	<b>19-0232</b>	<b>19-0250</b>	<b>19-0261</b>
2	10.5 mm	<b>19-0233</b>	<b>19-0251</b>	<b>19-0262</b>
3	12.0 mm	<b>19-0234</b>	<b>19-0252</b>	<b>19-0263</b>
4	14.0 mm	<b>19-0235</b>	<b>19-0253</b>	<b>19-0264</b>
5	15.0 mm	<b>19-0236</b>	<b>19-0254</b>	<b>19-0265</b>
6	16.5 mm	<b>19-0237</b>	<b>19-0255</b>	<b>19-0266</b>
7	18.0 mm	<b>19-0238</b>	<b>19-0256</b>	<b>19-0267</b>
8	19.5 mm	<b>19-0239</b>	<b>19-0257</b>	<b>19-0268</b>
9	21.5 mm	<b>19-0240</b>		<b>19-0269</b>
10	23.5 mm	<b>19-0241</b>		<b>19-0270</b>



SIMS, UTERINE  
CURETTE  
255 mm

Fig.	Width	sharp rigid	blunt malleable	sharp rigid
1	7.5 mm	<b>19-0290</b>	<b>19-0300</b>	<b>19-0310</b>
2	8.5 mm	<b>19-0291</b>	<b>19-0301</b>	<b>19-0311</b>
3	10.5 mm	<b>19-0292</b>	<b>19-0302</b>	<b>19-0312</b>
4	12.0 mm	<b>19-0293</b>	<b>19-0303</b>	<b>19-0313</b>
5	14.0 mm	<b>19-0294</b>	<b>19-0304</b>	<b>19-0314</b>
6	15.0 mm	<b>19-0295</b>	<b>19-0305</b>	<b>19-0315</b>

SOFT TECH Surgical, Manufacturer & Exporter of Quality Instruments



Fig. 0

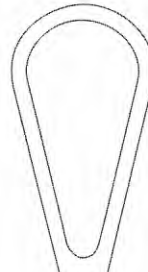


Fig. 1

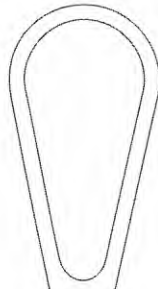


Fig. 2

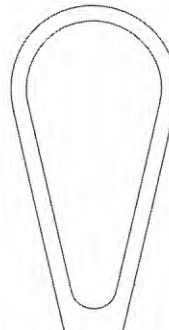


Fig. 3

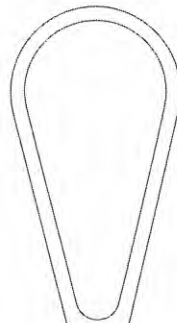


Fig. 4

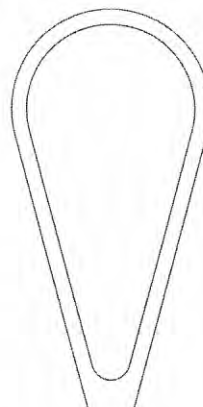


Fig. 5

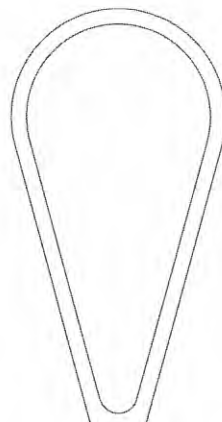
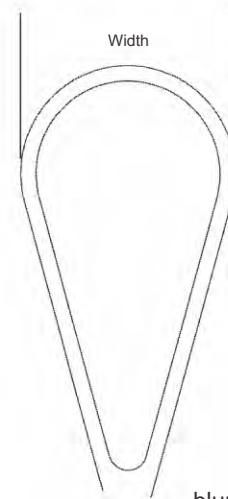


Fig. 6



1/2  
BUMM, UTERINE  
CURETTE  
290 mm

Fig.	Width	malleable
0	16.0 mm	<b>19-0320</b>
1	18.0 mm	<b>19-0321</b>
2	19.5 mm	<b>19-0322</b>
3	21.5 mm	<b>19-0323</b>
4	23.5 mm	<b>19-0324</b>
5	26.0 mm	<b>19-0325</b>
6	28.5 mm	<b>19-0326</b>





**BLAKE, UTERINE  
 CURETTE  
 DOPPELENDIG  
 19-0330  
 275 mm**

**COLLIN, UTERINE  
 CURETTE SERRATED,  
 RIGID  
 19-0335  
 300 mm**

**HEANEY, UTERINE  
 CURETTE  
 19-0340  
 240 mm**

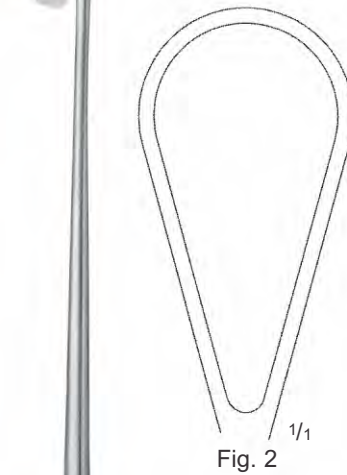
**WALLICH, PLACENTA  
 OVUM CURETTE  
 19-0345  
 420 mm**

SOFT TECH Surgical, Manufacturer & Exporter of Quality Instruments



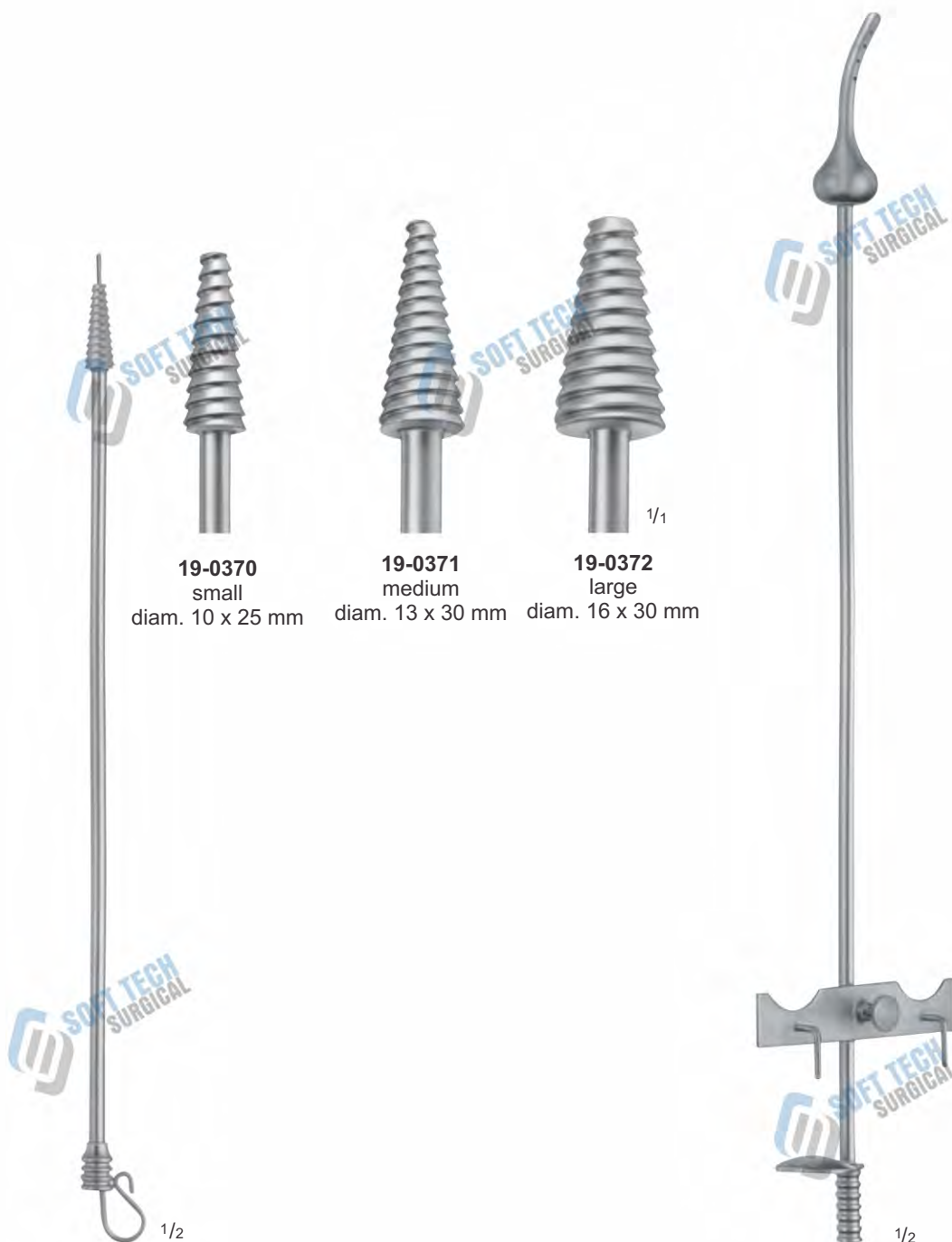
RECAMIER, PLACENTA  
OVUM CURETTE  
360 mm

Fig.	Width	blunt rigid
1	34,5 mm	<b>19-0350</b>
2	39,5 mm	<b>19-0351</b>



BUMM, PLACENTA- AND  
OVUM CURETTE  
310 mm

Fig.	Width	sharp malleable	blunt malleable
1	23.5 mm	<b>19-0360</b>	<b>19-0365</b>
2	26.0 mm		<b>19-0366</b>
3	28.5 mm	<b>19-0361</b>	<b>19-0367</b>



**19-0370**  
small  
diam. 10 x 25 mm

**19-0371**  
medium  
diam. 13 x 30 mm

**19-0372**  
large  
diam. 16 x 30 mm

**LEECH-WILKINSON, UTERINE  
IRRIGATION CATHETER**  
265 mm

**SPACKMAN, UTERINE  
IRRIGATION CATHETER**  
**19-0375**  
with adjustable plate for vulsellum  
forceps  
360 mm



BEHRMAN, UTERINE  
CANNULA WITH  
DETACHABLE CONE  
**19-0380**  
305 mm



UTERINE, CANNULA,  
2 INTERCHANGEABLE  
CONES SMALL - LARGE  
**19-0385**  
250 mm



ROTUNDA UTERINE  
CANNULA  
**19-0390**  
diam. 5 mm  
200 mm





**SOFT TECH  
SURGICAL**


## **General Surgery Instruments Catalogue**

### **SOFT TECH Surgical**

Muslim Town, Airport Road  
Kotli Behram, Sialkot 51310  
Pakistan.

Email : [info@softtechsurgical.com](mailto:info@softtechsurgical.com)  
Website : [www.softtechsurgical.com](http://www.softtechsurgical.com)

Phone : +92 52 3573488  
+92 52 3242929  
+92 52 4264934  
Fax : +92 52 3242929

 +92 336 4770459