



**SOFT TECH  
SURGICAL**

**13**

**Abdominal  
Intestinal &  
Rectal  
Instruments**



SOFT TECH Surgical, Manufacturer & Exporter of Quality Instruments



**CHAPUT INTESTINAL TISSUE  
GRASPING FORCEPS**  
**13-0100**  
125 mm



**TUFFIER INTESTINAL TISSUE  
GRASPING FORCEPS**  
**13-0105**  
125 mm



**BABY- ALLIS INTESTINAL  
GRASPING FORCEPS**  
**13-0110**  
130 mm



**BOYS- ALLIS INTESTINAL  
GRASPING FORCEPS**  
**13-0115**  
155 mm



**ALLIS-ADAIR CLAMP,**  
**13-0120**  
160 mm



**13-0125**  
2 x 3 teeth



**13-0126**  
3 x 4 teeth



**13-0127**  
4 x 5 teeth



**13-0130**  
5 x 6 teeth



ALLIS, INTESTINAL  
GRASPING FORCEPS  
155 mm

ALLIS INTESTINAL  
GRASPING FORCEPS  
**13-0130**  
155 mm



**13-0135** **13-0136**  
190 mm 255 mm



ALLIS, INTESTINAL  
GRASPING FORCEPS  
5 x 6 teeth  
slender patterns

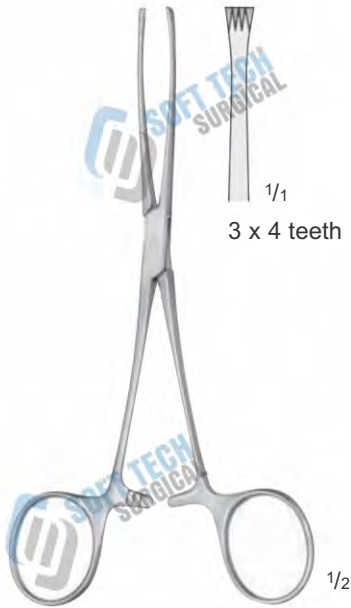


ALLIS, INTESTINAL-  
AND TISSUE GRASPING  
FORCEPS  
**13-0140**  
220 mm

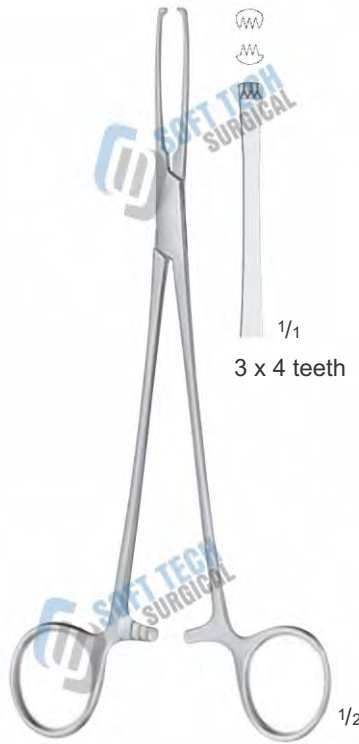




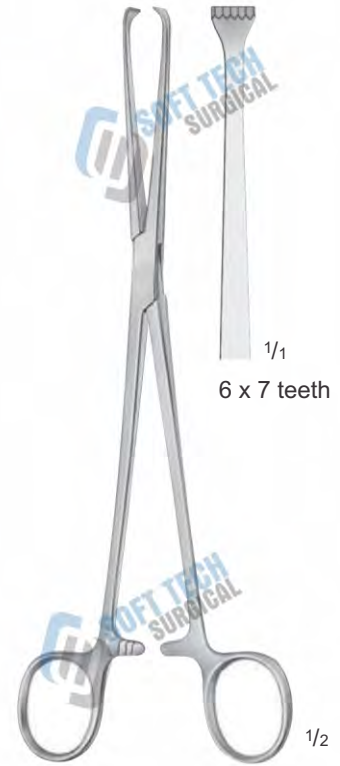
SOFT TECH Surgical, Manufacturer & Exporter of Quality Instruments



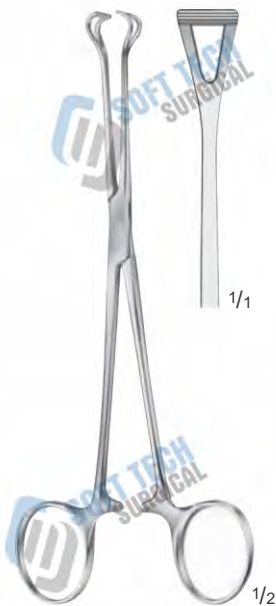
**JUDD-ALLIS INTESTINAL GRASPING FORCEPS**  
**13-0145**  
155 mm



**JUDD-ALLIS INTESTINAL GRASPING FORCEPS**  
**13-0150**  
195 mm



**ALLIS-THOMS INTESTINAL GRASPING FORCEPS**  
**13-0155**  
200 mm



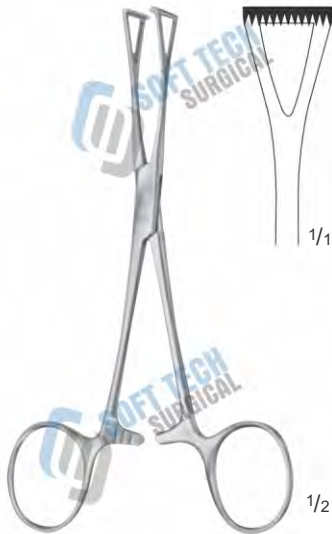
**BABCOCK ORGAN TISSUE GRASPING FORCEPS**  
**13-0160**  
155 mm



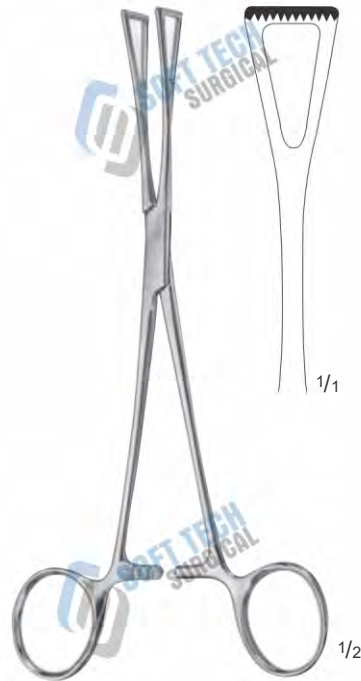
**BABCOCK ORGAN TISSUE GRASPING FORCEPS**



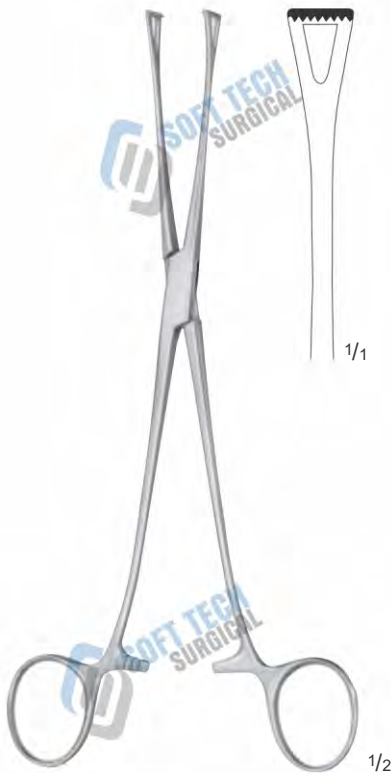
**BABCOCK ORGAN TISSUE GRASPING FORCEPS**  
**13-0170**  
220 mm



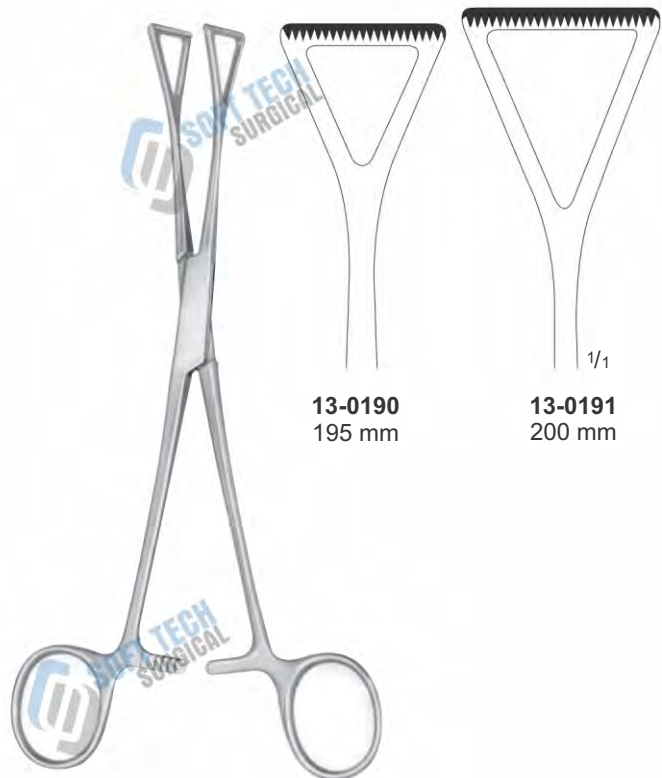
**COLLIN INTESTINAL GRASPING FORCEPS**  
**13-0175**  
140 mm



**COLLIN INTESTINAL GRASPING FORCEPS**  
**13-0180**  
180 mm

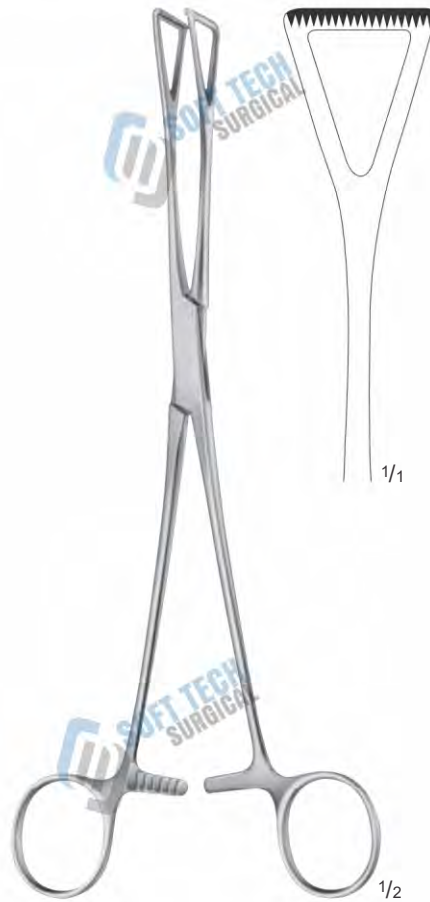


**LOCKWOOD, INTESTINAL GRASPING FORCEPS**  
**13-0185**  
200 mm

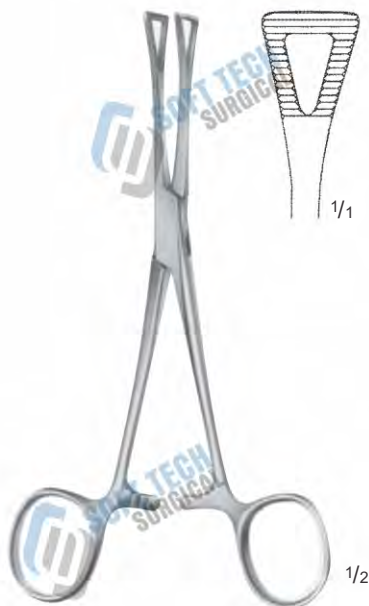


**DUVAL- COLLIN INTESTINAL GRASPING FORCEPS**

SOFT TECH Surgical, Manufacturer & Exporter of Quality Instruments



**DUVAL LUNG GRASPING FORCEPS**  
**13-0195**  
230 mm



**PENNINGTON INTESTINAL  
FORCEPS TRIANGLE SHAPED**  
**13-0200**  
155 mm



**PENNINGTON INTESTINAL FORCEPS**  
**13-0205**  
200 mm





LANE ORGAN  
TISSUE  
GRASPING FORCEPS



WILLIAMS ORGAN TISSUE  
GRASPING FORCEPS  
**13-0215**  
160 mm



DENIS-BROWNE ORGAN  
GRASPING FORCEPS  
**13-0220**  
190 mm



DUVAL INTESTINAL  
FORCEPS  
**13-225**  
140 mm

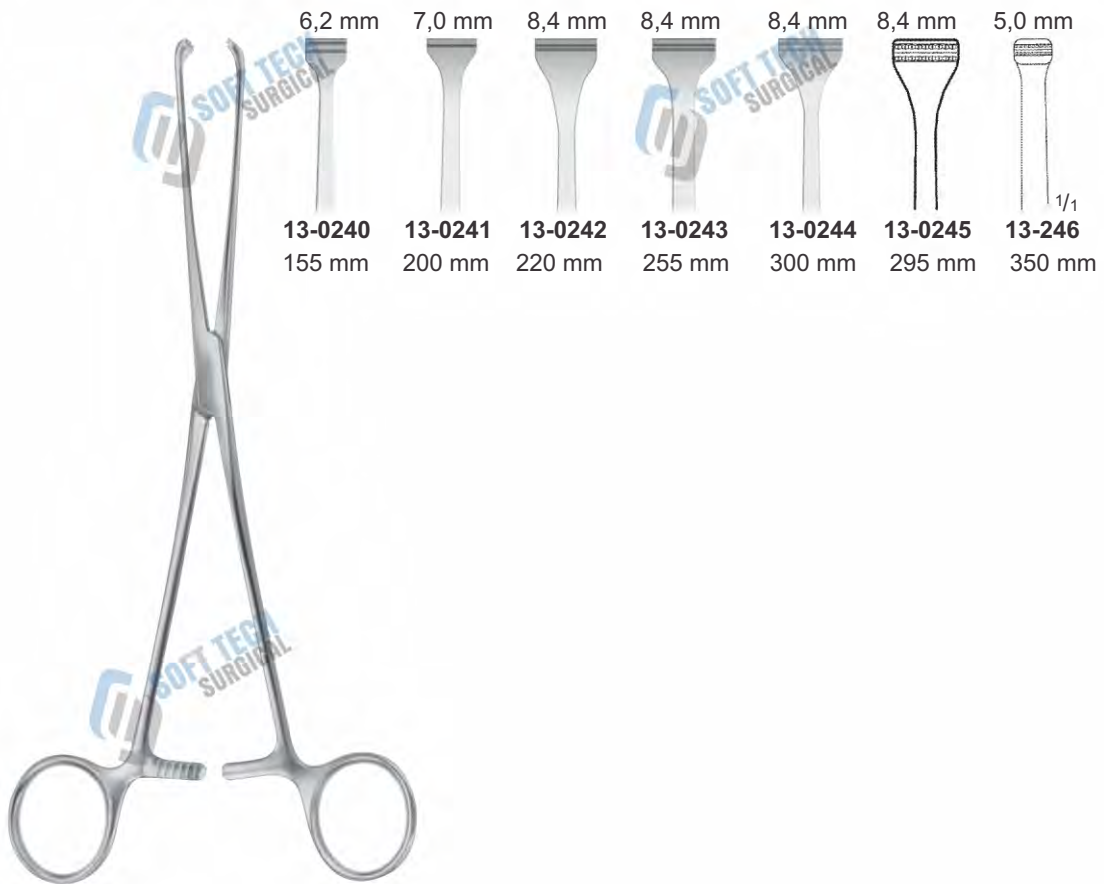


WANGENSTEEN  
DUROGRIP DISSECTING  
FORCEPS

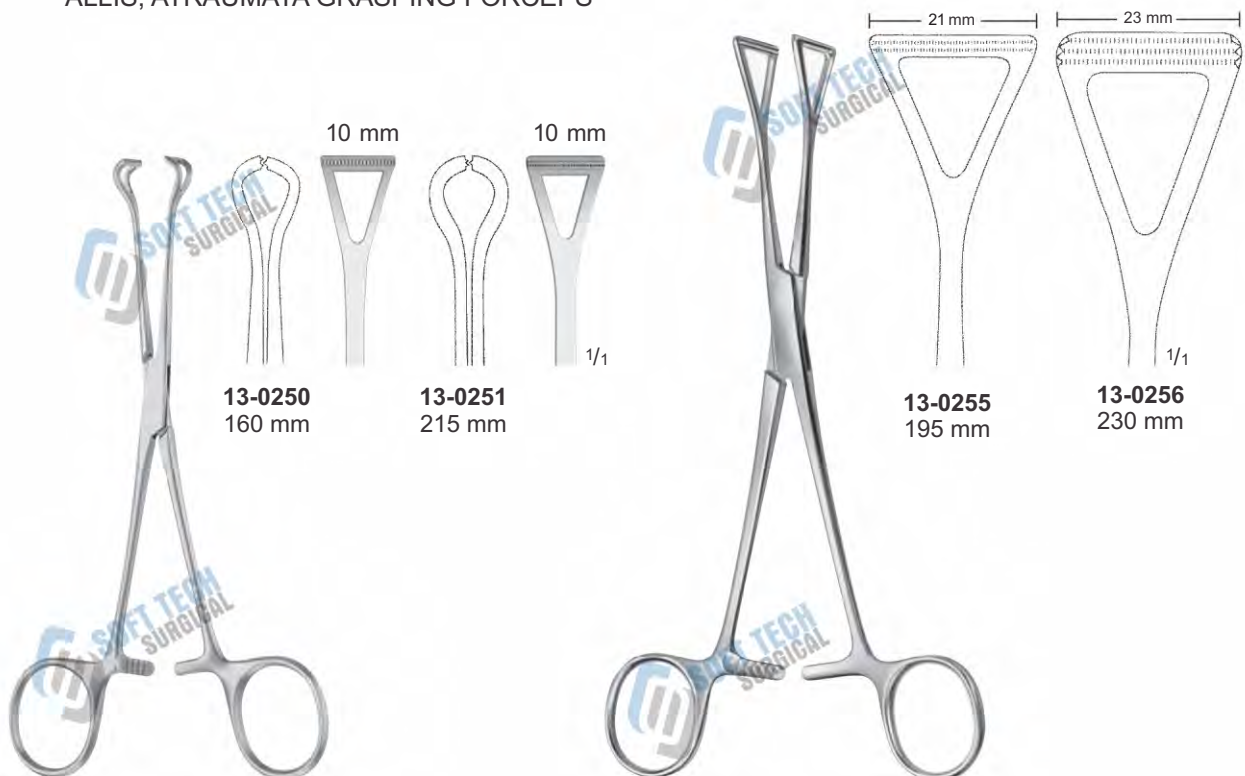


STILLE-BARRAYA TISSUE FORCEPS

SOFT TECH Surgical, Manufacturer & Exporter of Quality Instruments



ALLIS, ATRAUMATA GRASPING FORCEPS



BABCOCK, ATRAUMATA ORGAN  
TISSUE GRASPING FORCEPS

COLLIN, ATRAUMATA GRASPING  
FORCEPS 2:3 TEETH ROWS





ATRAUMATA FORCEPS  
ULTRA-LIGHT, STRAIGHT



DE BAKEY ATRAUMATA  
DISSECTING FORCEPS



DE BAKEY ATRAUMATA  
DISSECTING FORCEPS



DE BAKEY ATRAUMATA  
DISSECTING FORCEPS

SOFT TECH Surgical, Manufacturer & Exporter of Quality Instruments



**BAINBRIDGE INTESTINAL CLAMP**  
CLAMP  
155 mm



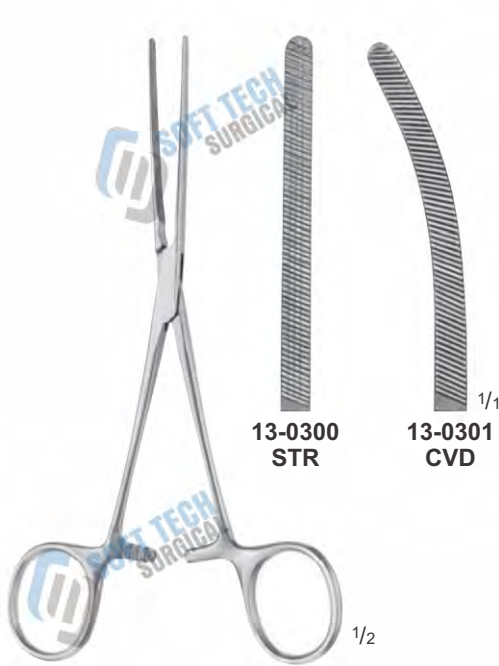
**ALLEN INTESTINAL CLAMP**  
STRAIGHT 1x2 TEETH  
**13-0285**  
155 mm



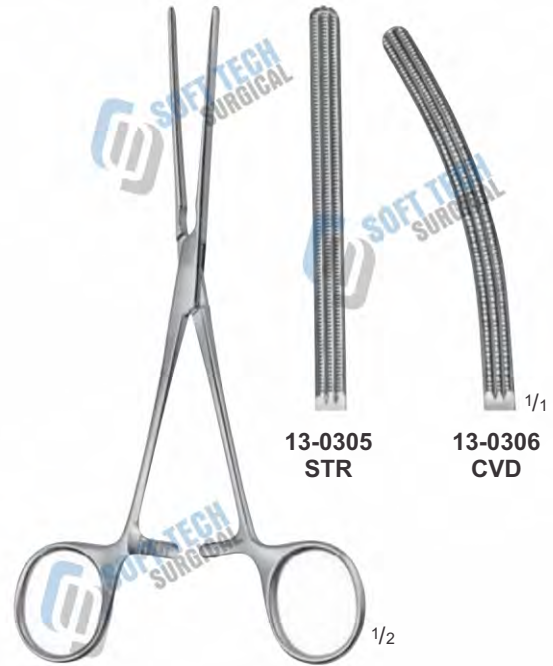
**BABY-KOCHER, INTESTINAL CLAMP**  
ELASTIC  
130 mm



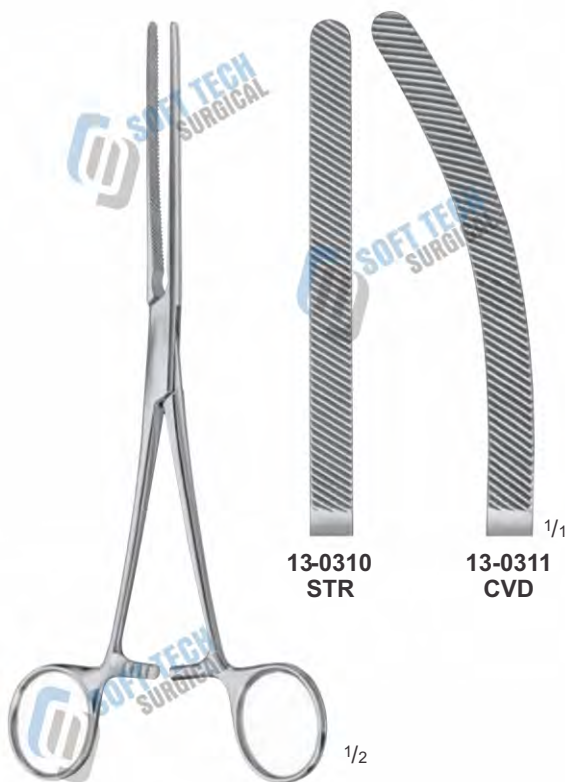
**BABY-KOCHER CLAMP**  
SOFT ELASTIC  
130 mm



DOYEN INTESTINAL CLAMP  
ELASTIC  
165 mm



DOYEN, INTESTINAL CLAMP  
SOFT ELASTIC  
170 mm



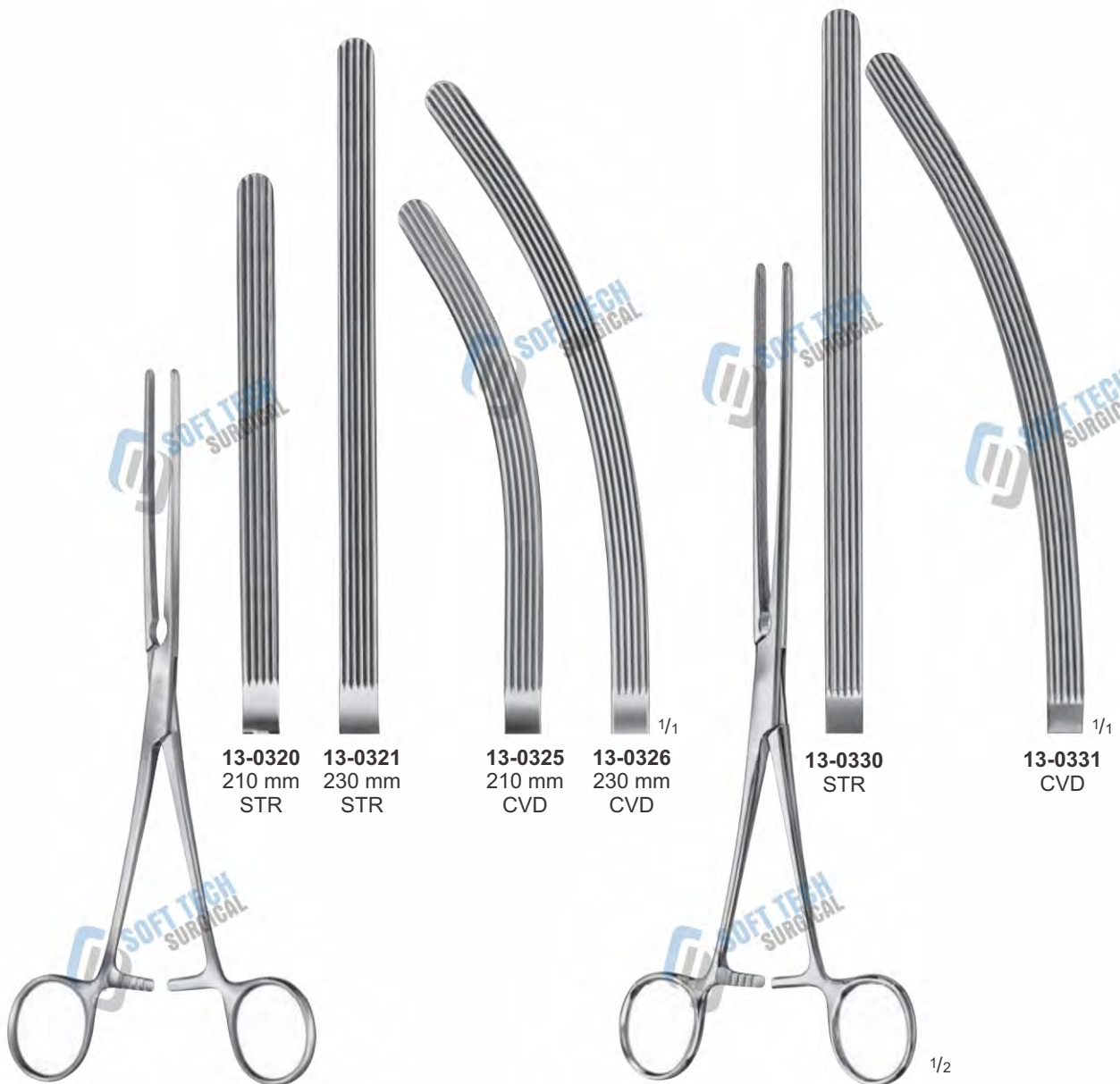
HARTMANN INTESTINAL  
CLAMP ELASTIC  
200 mm



HARTMANN, ATRAUMATA INTESTINAL  
CLAMP ELASTIC  
200 mm



SOFT TECH Surgical, Manufacturer & Exporter of Quality Instruments

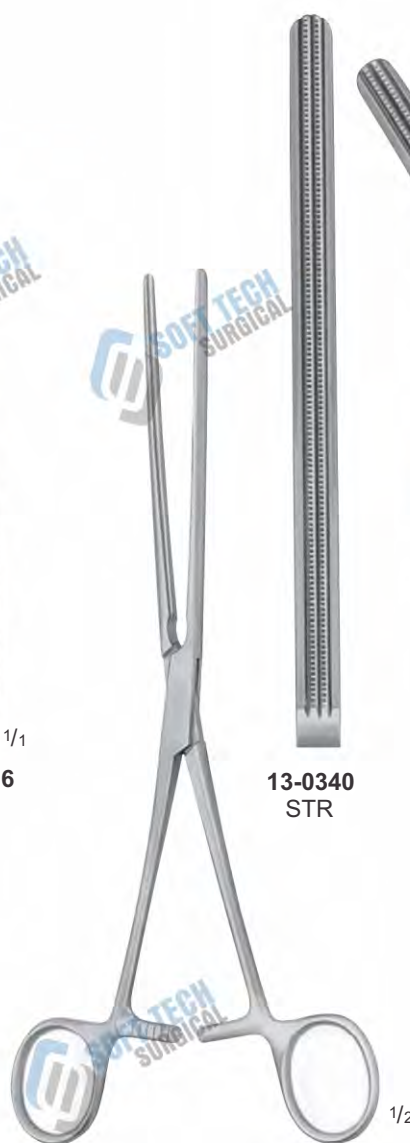




DOYEN, INTESTINAL CLAMP ELASTIC  
235 mm



13-0336  
CVD



DOYEN, ATRAUMATA INTESTINAL  
CLAMP ELASTIC  
230 mm



13-0341  
CVD

SOFT TECH Surgical, Manufacturer & Exporter of Quality Instruments



**13-0345**  
220 mm  
STR

**13-0346**  
250 mm  
STR

**13-0347**  
280 mm  
STR

**13-0350**  
220 mm  
CVD

**13-0351**  
250 mm  
CVD

**13-0352**  
280 mm  
CVD

1/1

KOCHER, INTESTINAL CLAMP ELASTIC





KOCHER ATRAUMATA  
INTESTINAL CLAMP ELASTIC

**13-0355**  
220 mm  
STR

**13-0356**  
250 mm  
STR

**13-0357**  
280 mm  
STR

**13-0360**  
220 mm  
CVD

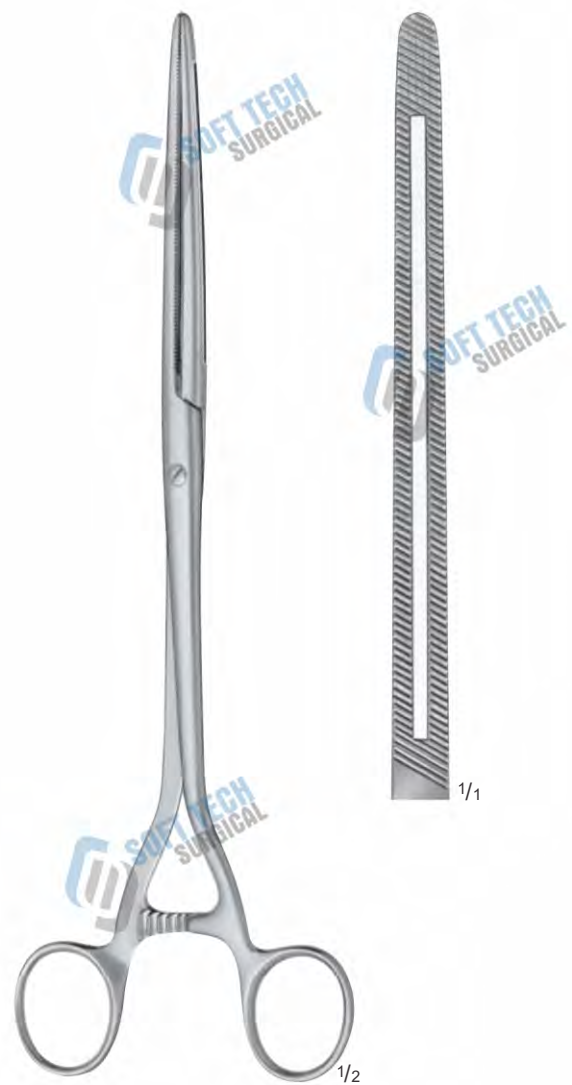
**13-0361**  
250 mm  
CVD

**13-062**  
280 mm  
CVD

<sup>1</sup>/<sub>1</sub>



**NUSSBAUM INTESTINAL CLAMP  
STRAIGHT ELASTIC**  
**13-0365**  
250 mm



**MOYNIHAN INTESTINAL  
CLAMP STRAIGHT**  
**13-0370**  
280 mm



LANG- STEVERSON  
INTESTINAL CLAMP STRAIGHT  
**13-0375**  
200 mm



SHOEMAKER, INTESTINAL  
CLAMP COLECTOMY CLAMP  
**13-0380**  
200 mm





**13-0385**  
STR

**MAYO-ROBSON INTESTINAL  
CLAMP HARD ELASTIC**  
250 mm



**13-0386**  
CVD <sup>1/1</sup>

**MAYO-ROBSON ATRAUMATA  
INTESTINAL CLAMP**  
250 mm



**13-0390**  
STR



**13-0391**  
CVD <sup>1/1</sup>



SCUDDER, ATRAUMATA STOMACH  
CLAMP STRAIGHT  
13-0395  
330 mm



KLEINSCHMIDT, APPENDECTOMY  
CLAMP, 1X2 TEETH  
13-0400  
130 mm



BENSON PYLORUS SPREADER  
13-0405  
155 mm

SOFT TECH Surgical, Manufacturer & Exporter of Quality Instruments



**13-0410**  
PAYR, INTESTINAL CLAMP  
LIGHT PATTERN CHILDREN  
PYLORUS CLAMP  
180 mm

**13-0415**  
PAYR INTESTINAL  
PYLORUS CLAMP  
200 mm

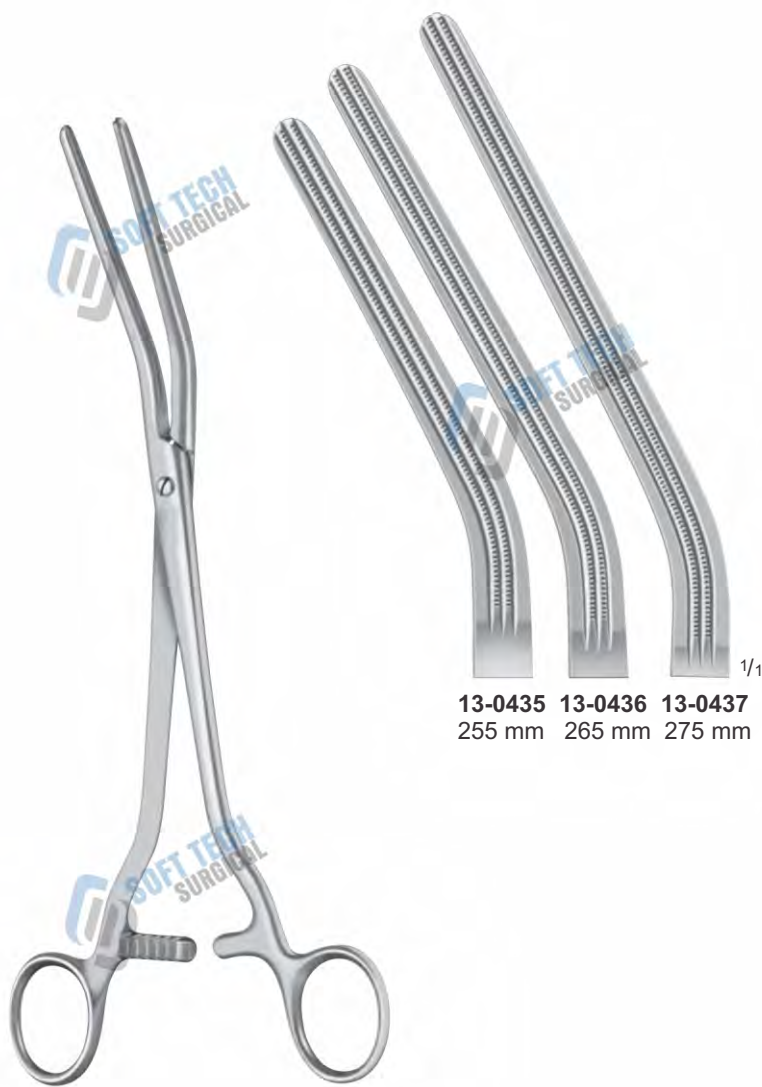
**13-0420**  
PAYR, INTESTINAL  
PYLORUS CLAMP  
275 mm

**13-0425**  
PAYR, PYLORUS  
INTESTINAL CLAMP  
315 mm





**13-0430**  
PARKER- KERR ANASTOMOSIS  
CLAMP FOR COLON RESECTION  
250 mm



**13-0435 13-0436 13-0437**  
255 mm 265 mm 275 mm

**DICK ATRAUMATA**  
VASCULAR CLAMP PRESSURE  
CLAMP



BRUNNER, INTESTINAL CLAMP  
BAYONETT SHAPE  
**13-0440**  
245 mm

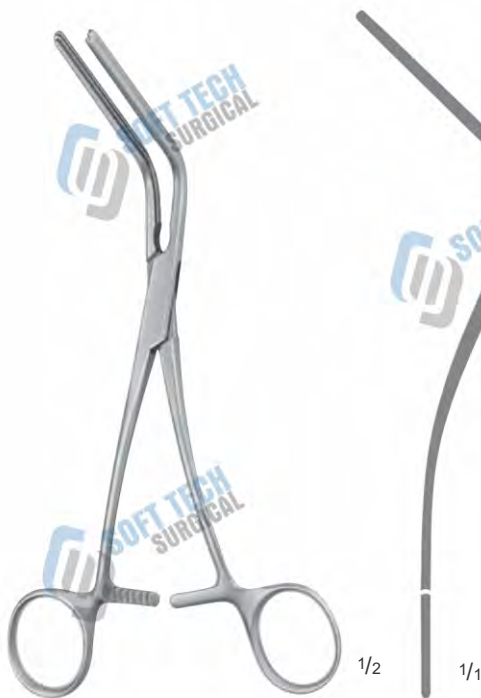


BRONCHUS FORCEPS SIGMOID  
ANASTOMOSIS FORCEPS  
230 mm



LLOYD-DAVIS  
SIGMOID ANASTOMOSIS CLAMP  
13-0450  
315 mm

SOFT TECH Surgical, Manufacturer & Exporter of Quality Instruments



MORRIS, ATRAUMATA VASCULAR CLAMP  
ANGLED 70°, 67 mm  
**13-0455**  
175 mm



DE BAKKEY, ATRAUMATA VASCULAR CLAMP  
ANGLED 70°, 70 mm  
**13-0460**  
240 mm



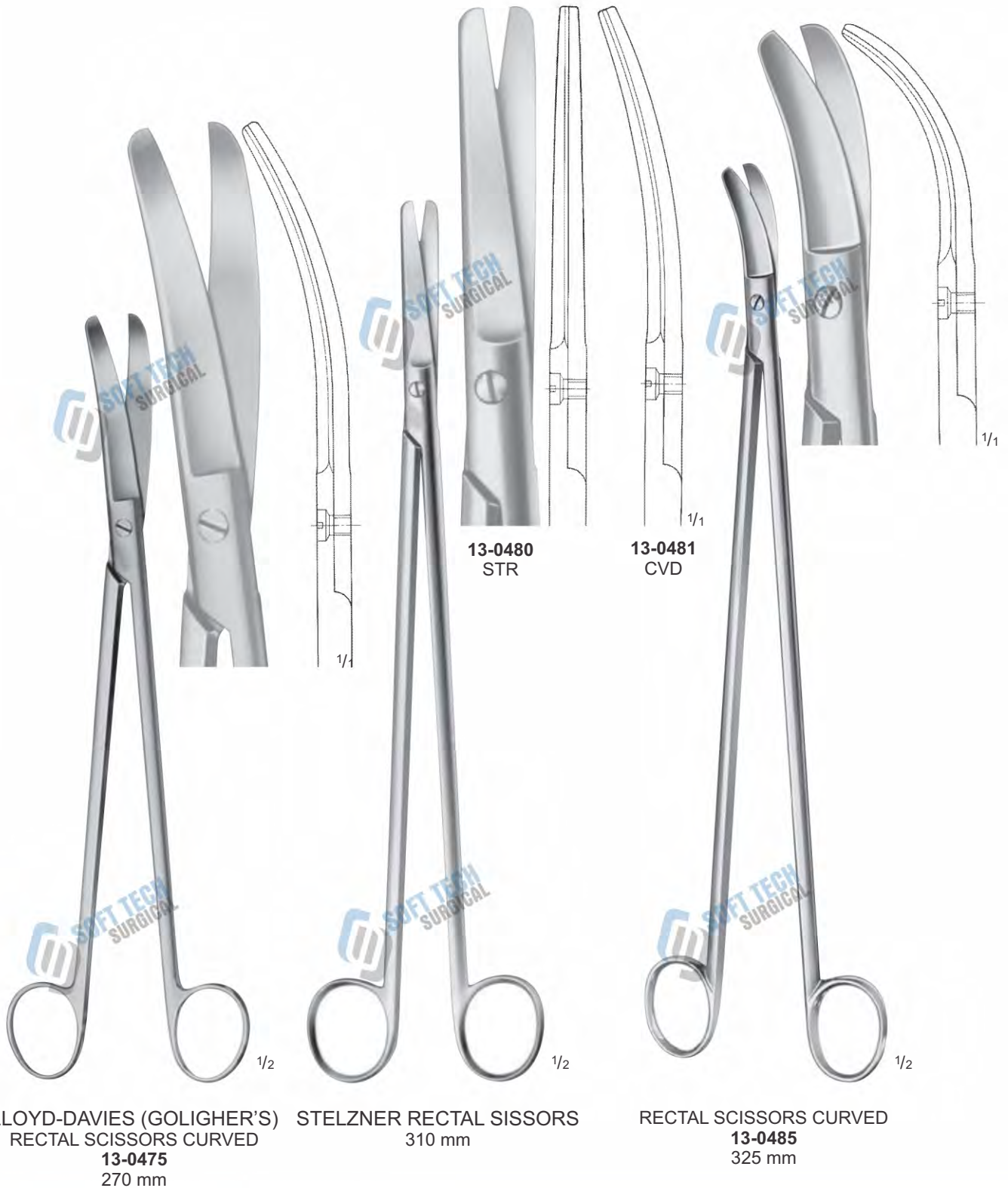


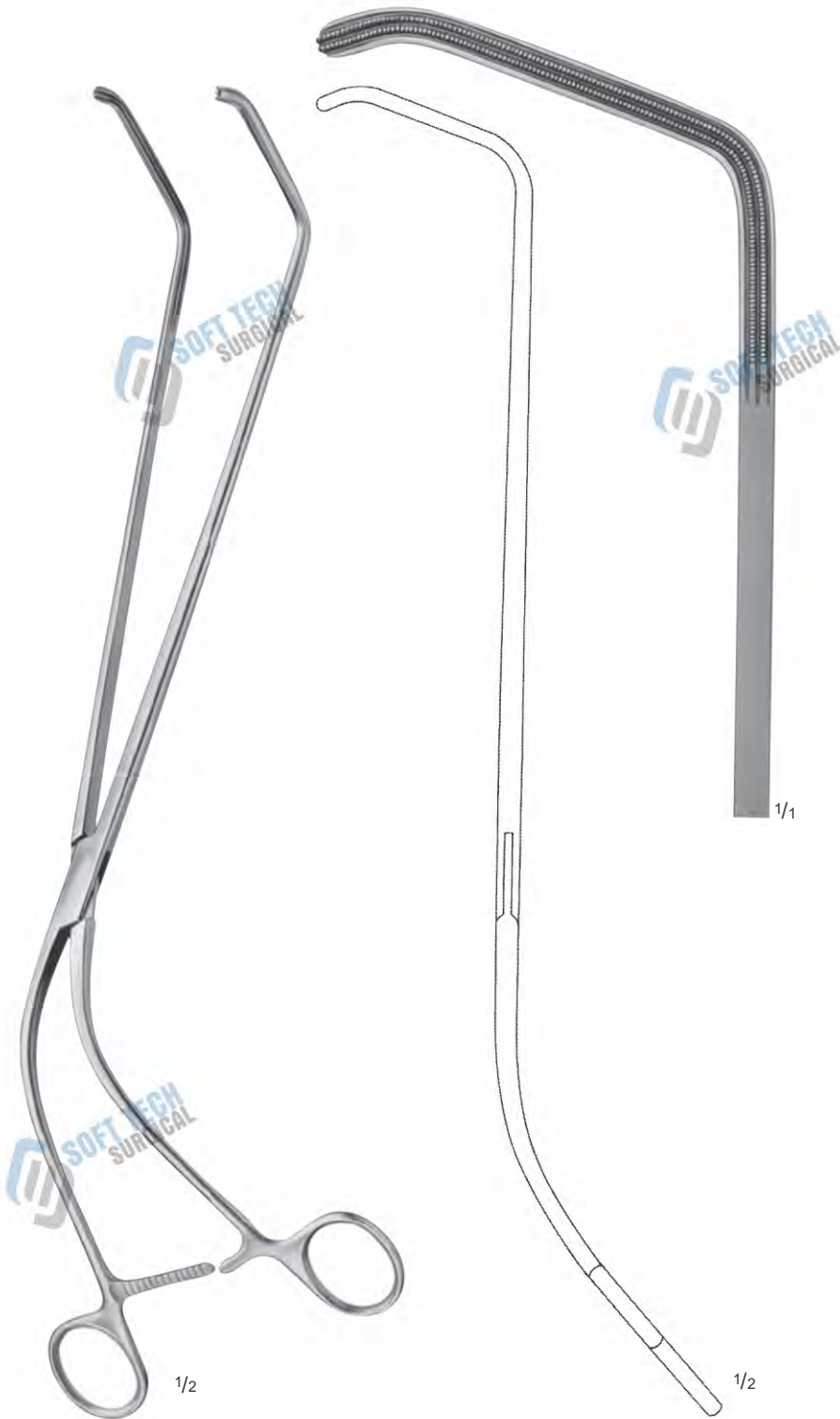
KERSTING ATRAUMATA SIGMOID ANASTOMOSIS CLAMP  
13-0465  
300 mm



RESANO ATRAUMATA SIGMOID ANASTOMOSIS CLAMP elastic  
13-0470  
265 mm

SOFT TECH Surgical, Manufacturer & Exporter of Quality Instruments





MÜLLER ATRAUMATA SIGMOID  
ANASTOMOSIS CLAMP S-SHAPE  
13-0490  
375 mm



**MÜLLER RECTAL SCISSORS S-SHAPED**  
**13-0495**  
325 mm



**DE BAKKEY ATRAUMATA  
DISSECTING FORCEPS**  
**13-0500**  
350 mm

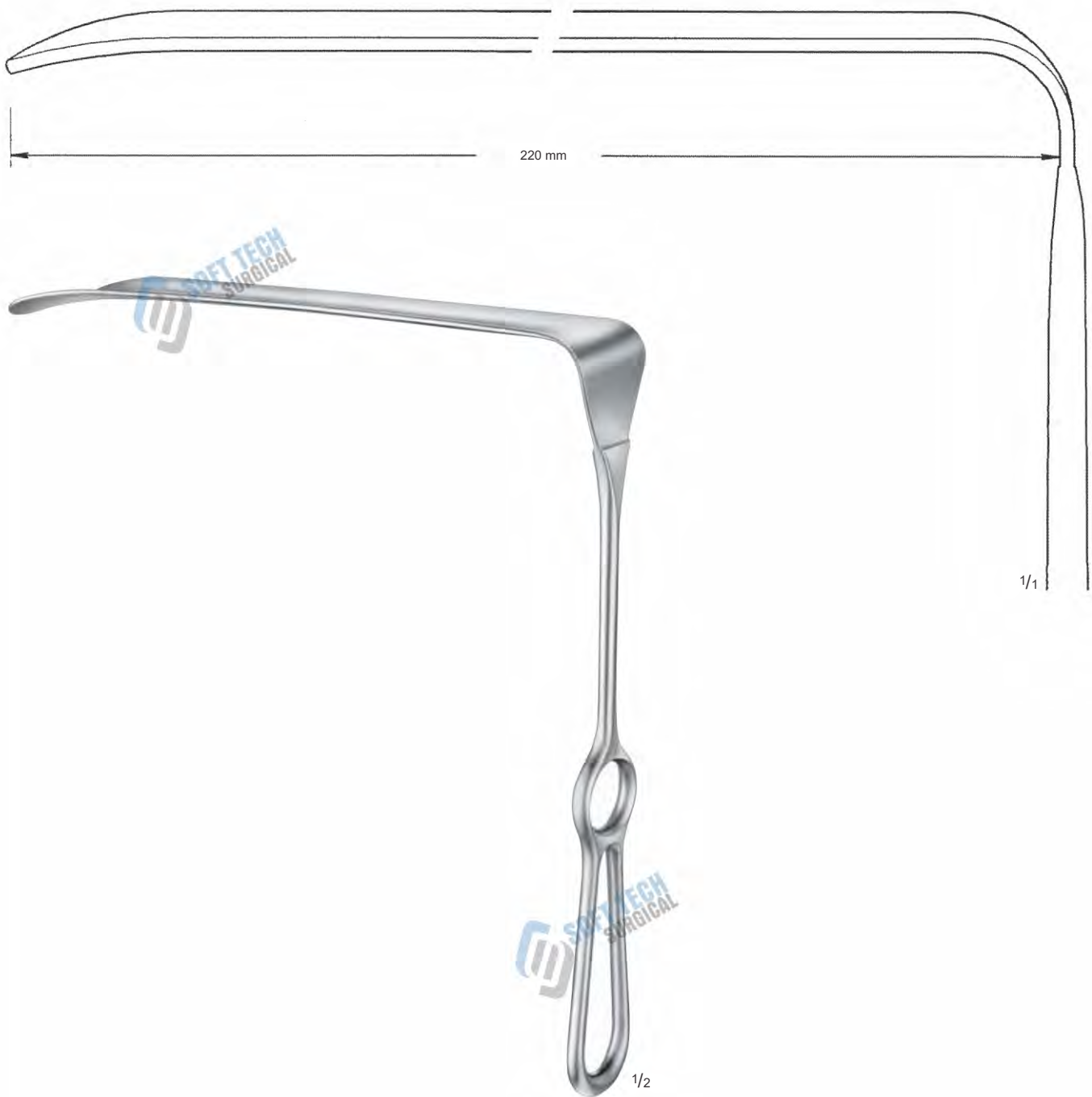




MÜLLER, NEEDLE HOLDER  
CURVED  
**09-0825**  
250 mm



ALLIS, ATRAUMATA GRASPING  
FORCEPS 5,0 mm  
**13-0510**  
295 mm



HÖSEL RETRACTOR 220X40  
13-0515  
250 mm



**CZERNY, RECTAL SPECULA**  
106 mm x 23 mm  
**13-0520**  
225 mm



**KILLIAN, NASAL SPECULA**  
70 x 7 mm for children  
**13-0525**  
145 mm



**SIMS, RECTAL SPECULA,**  
77 x 17 mm  
**13-0530**  
160 mm

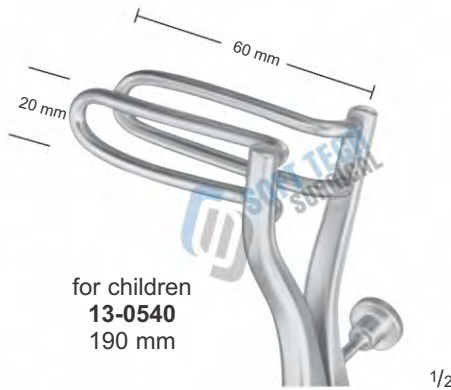


**SIMS, RECTAL SPECULA**  
**FENESTRATED, 77 x 17 mm**  
**13-0535**  
160 mm

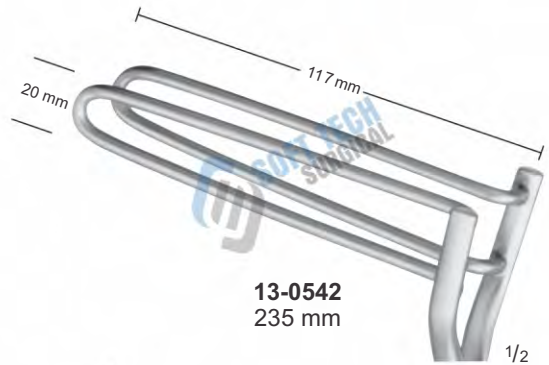
SOFT TECH Surgical, Manufacturer & Exporter of Quality Instruments



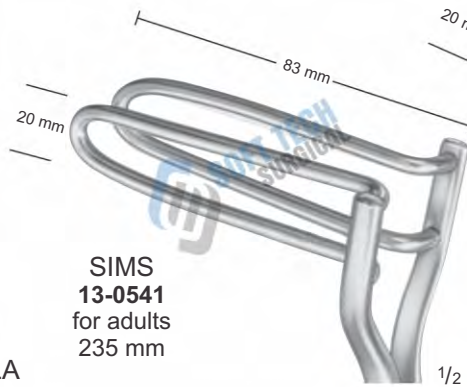
SIMS, RECTAL SPECULA



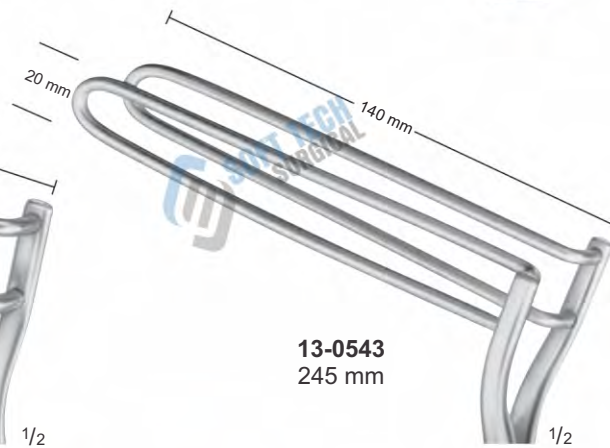
for children  
**13-0540**  
190 mm



**13-0542**  
235 mm



SIMS  
**13-0541**  
for adults  
235 mm



**13-0543**  
245 mm



PRATT, RECTAL SPECULA  
80 x 25 mm  
**13-0545**  
205 mm



MATHIEU, RECTAL SPECULA 3  
PRONGS, 95 x 15 mm  
**13-0550**  
215 mm





Ø diam.  
13-0555 17 mm  
13-0556 20 mm  
13-0557 23 mm

1/2

**BENSAUDE ANUSCOPE 17 mm**  
DIAMETER, 55 mm  
185 mm



**IVES-FANSLER ANUSCOPE 24 mm**  
DIAMETER, 87 mm  
13-0560  
145 mm

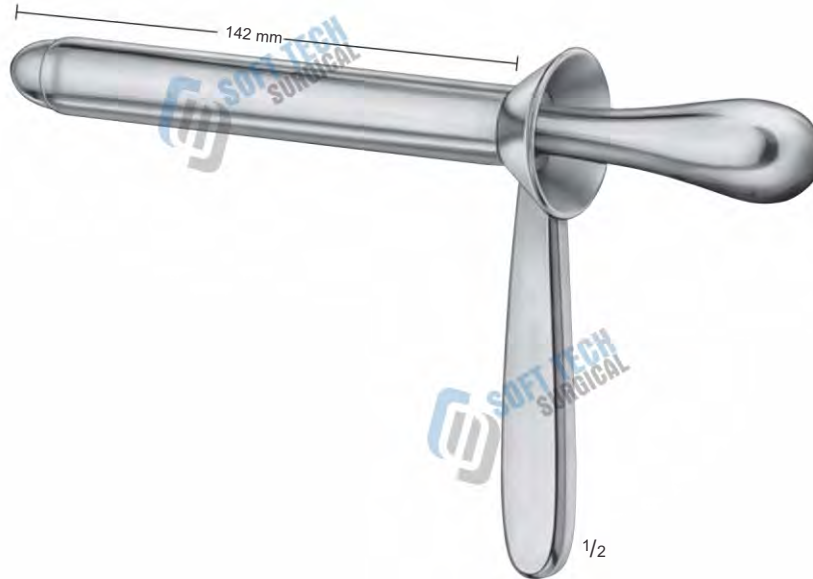


**KELLY SPHINCTEROSCOPE 20 mm**  
DIAMETER, 50 mm  
13-0565  
160 mm



**KELLY SPHINCTEROSCOPE 25 mm**  
DIAMETER, 50 mm  
13-0570  
160 mm

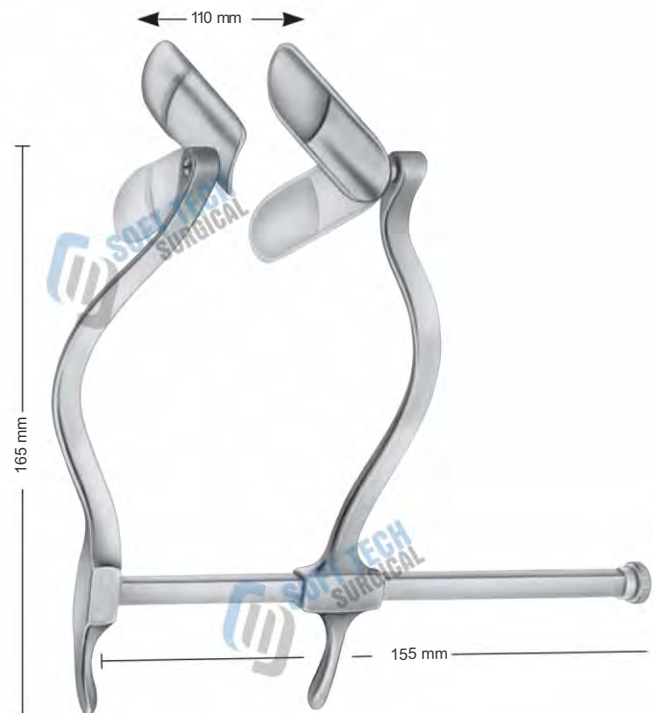
SOFT TECH Surgical, Manufacturer & Exporter of Quality Instruments



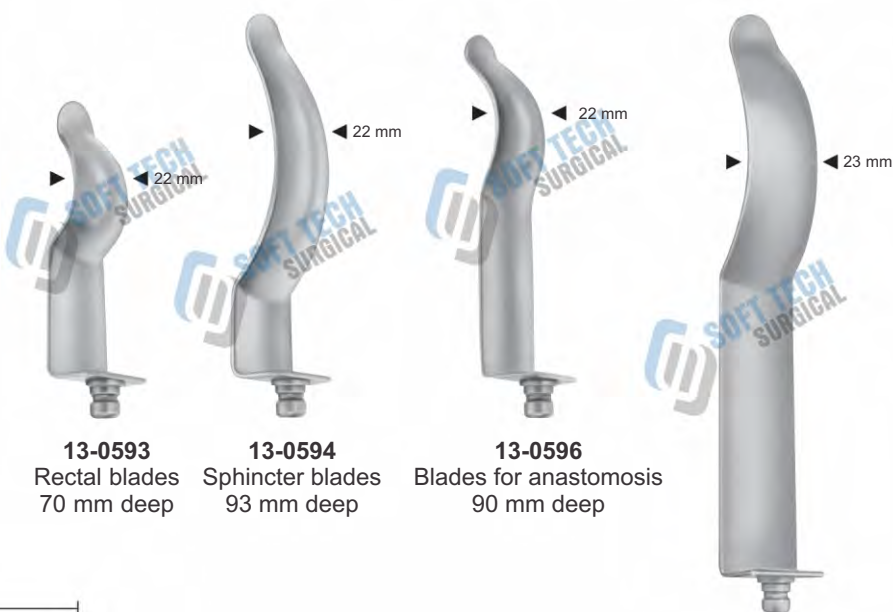
**KELLY, PROCTOSCOPE**  
20 mm  
DIAMETER, 142 mm  
WORKING LENGTH  
**13-0575**  
140 mm



**GABRIEL, RECTAL SPECULA**  
25 mm  
DIAMETER, 64 mm  
WORKING LENGTH  
**13-0580**



**SMITH-BUIE, RECTAL RETRACTOR** DIMENSION OF  
BLADES: 58 x 23 mm  
**13-0585**

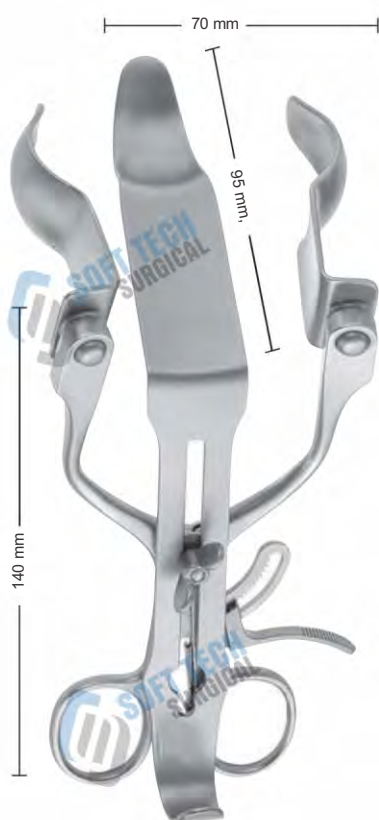


**13-0593**  
Rectal blades  
70 mm deep

**13-0594**  
Sphincter blades  
93 mm deep

**13-0596**  
Blades for anastomosis  
90 mm deep

**PARKS RETRACTOR  
BLADE  
13-0599**  
150 mm deep

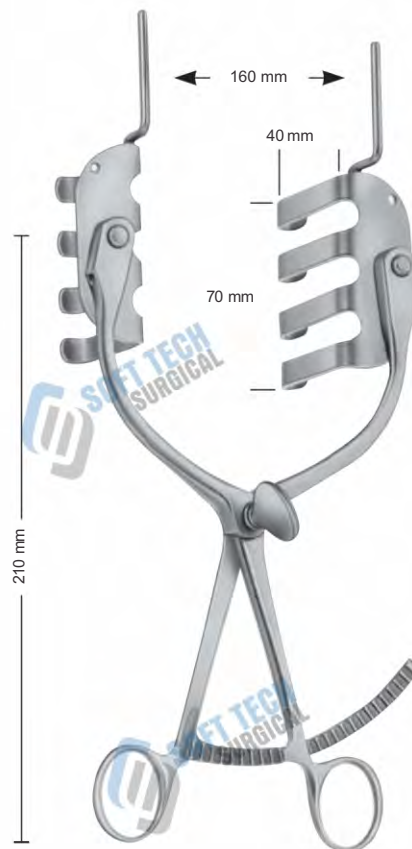


**PARKS- GIRONA RECTAL  
RETRACTOR  
13-0590**

- Rectal spreader,
- 13-0591** Spreader, only
- 13-0592** Center blade, only
- 13-0593** Pair of blades, only
- 13-0594** Pair of blades, only



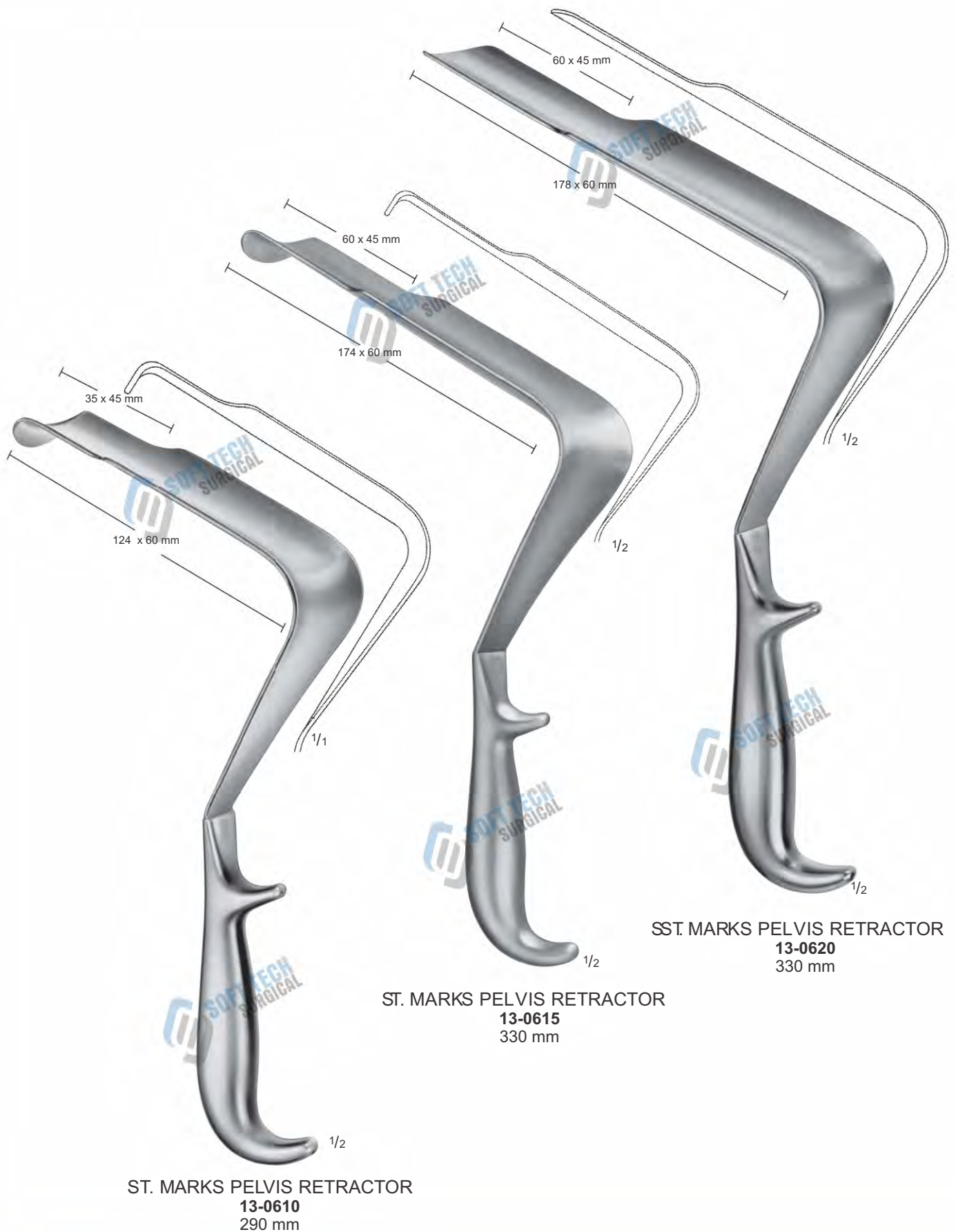
**PARKS RETRACTOR  
BLADE  
13-0600**  
Center blade

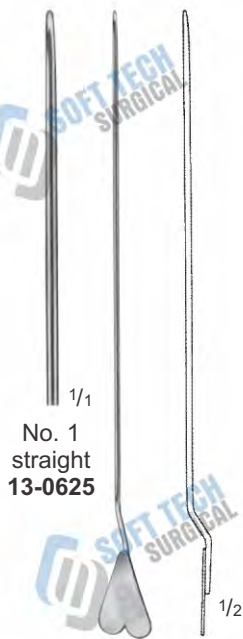


**ST. MARKS MODIF. GIRONA  
PERINEAL RETRACTOR  
13-0605**

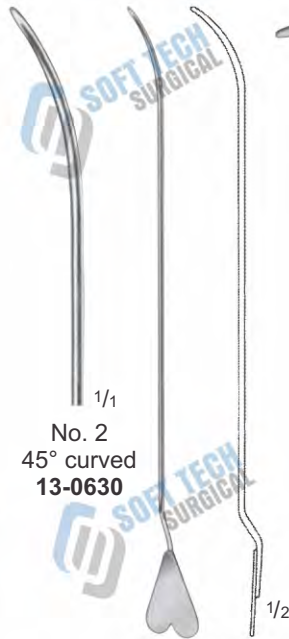


SOFT TECH Surgical, Manufacturer & Exporter of Quality Instruments

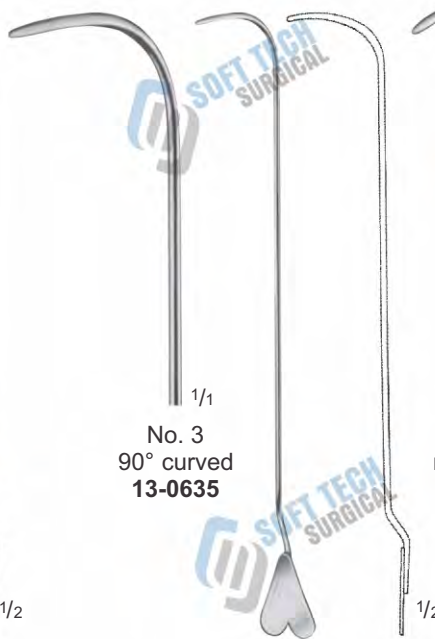




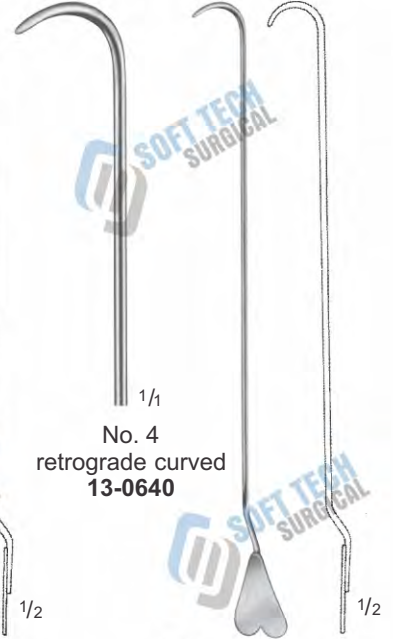
No. 1  
straight  
13-0625



No. 2  
45° curved  
13-0630

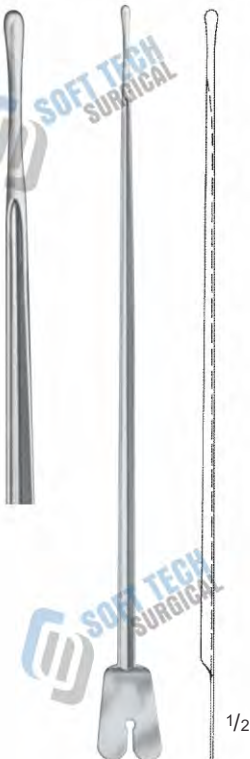


No. 3  
90° curved  
13-0635



No. 4  
retrograde curved  
13-0640

LOCKHART-MUMMERY  
FISTULA PROBE  
165 mm



BRODIE PROBE WITH  
ROUND TIP, 3.5 mm  
13-0645  
200 mm



PROBE  
with wire loop  
13-0650  
malleable  
190 mm

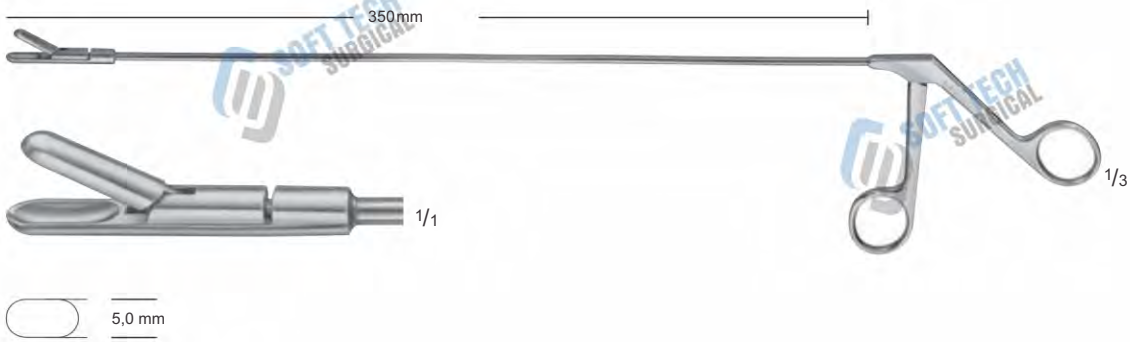


PROBE  
with hole  
13-0655  
malleable  
190 mm

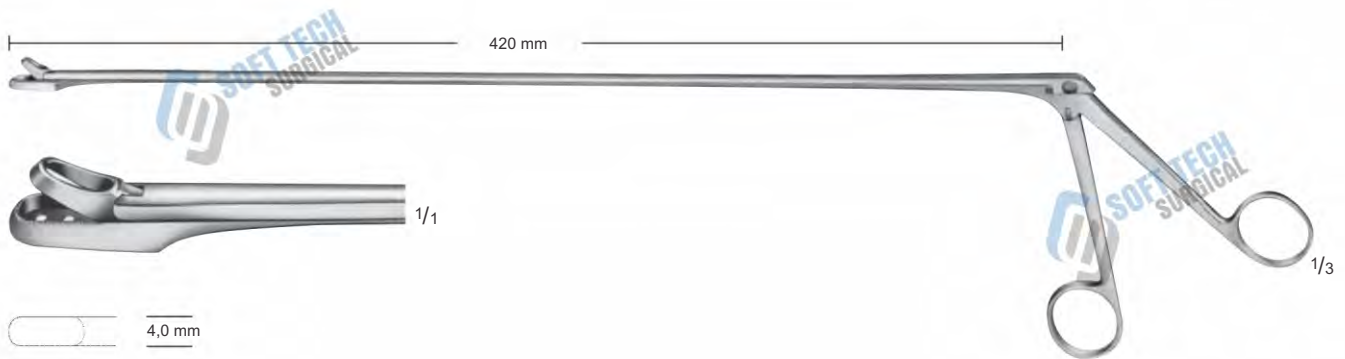


FISTULA PROBE HOOK-  
SHAPED  
13-0660  
240 mm

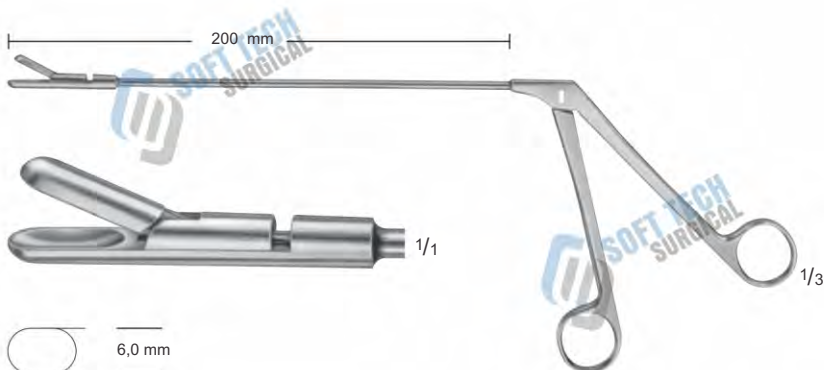
SOFT TECH Surgical, Manufacturer & Exporter of Quality Instruments



LLOYD DAVIES, BIOPSY FORCEPS  
13-0665



YEOMAN, BIOPSY FORCEPS  
13-0670

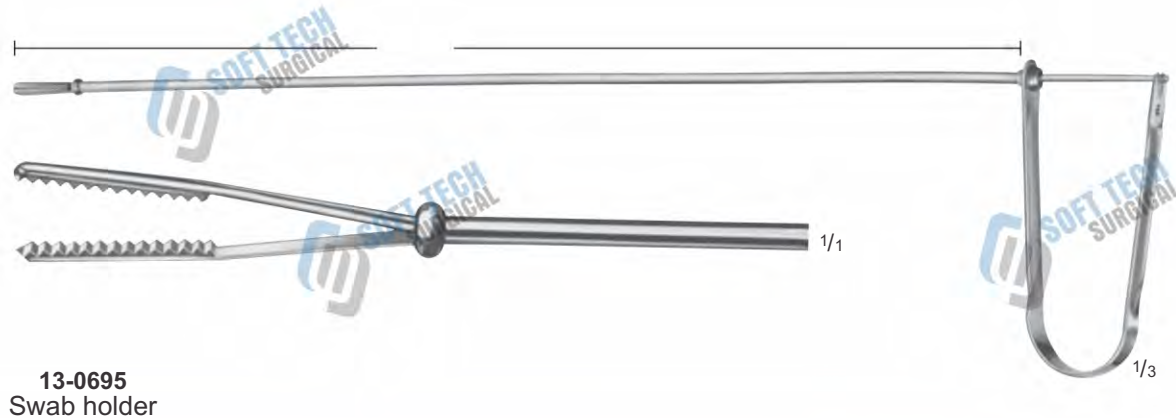
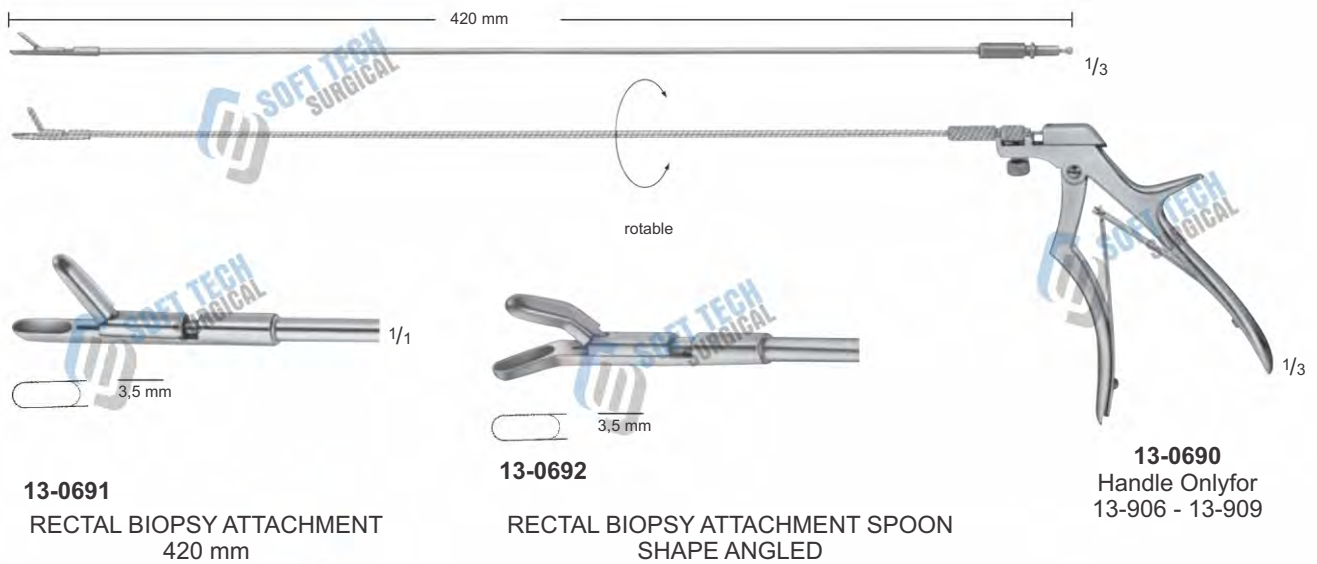
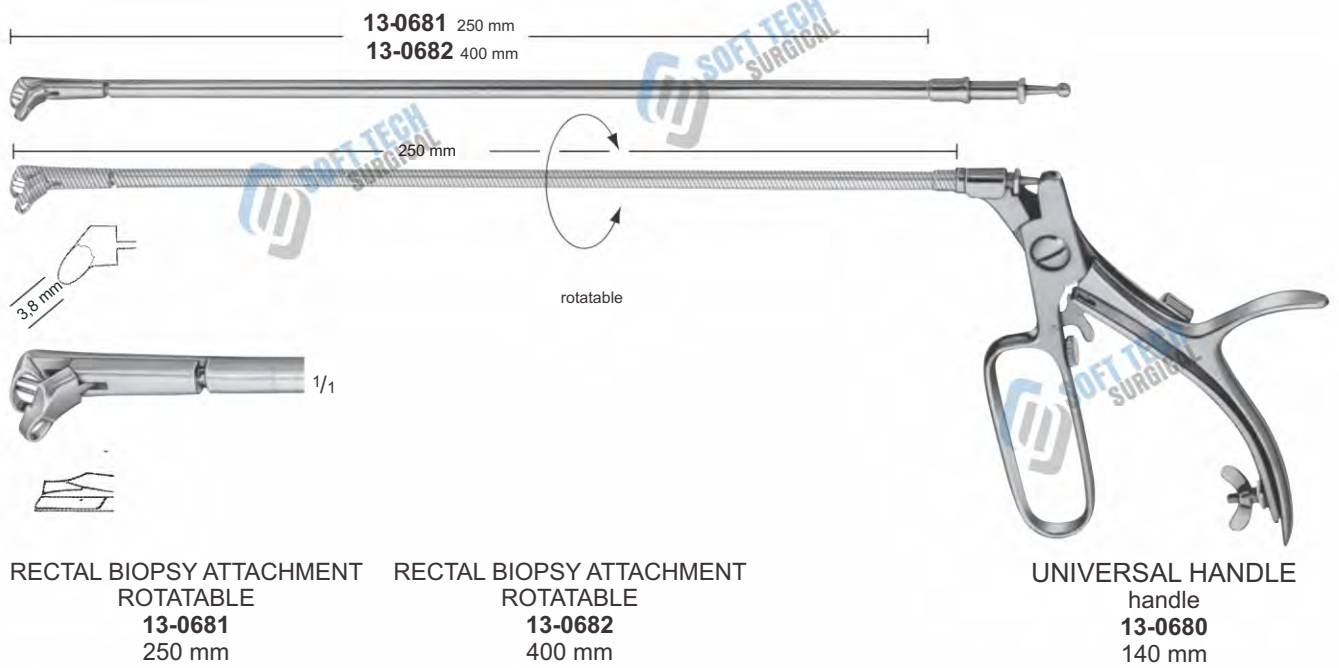


WALTON BIOPSY FORCEPS  
13-0675



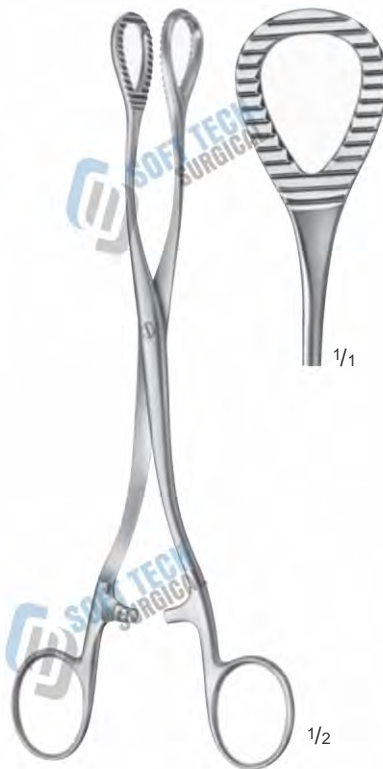
General Surgery  
Instruments  
Biopsy Forceps for Rectum &  
Swab Holders for Rectum

SOFT TECH Surgical, Manufacturer & Exporter of Quality Instruments

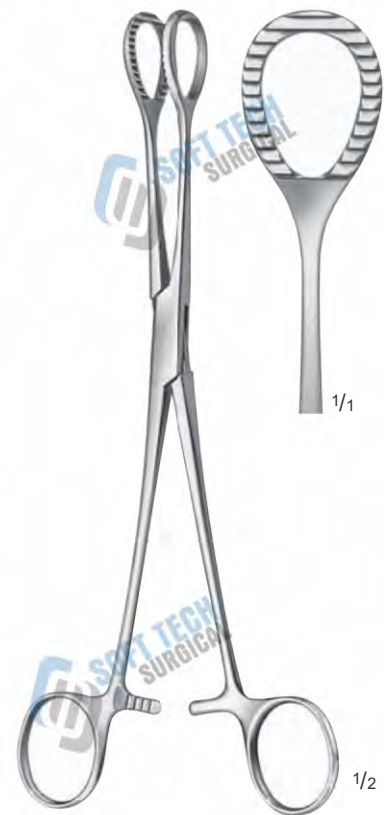




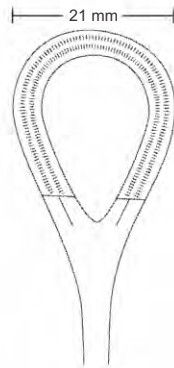
**LUER, HAEMORRHOIDAL  
FORCEPS**  
**13-0700**  
245 mm



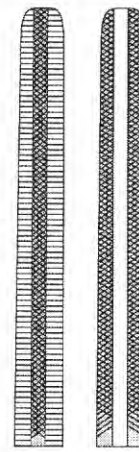
**HEYWOOD-SMITH SPONGE  
HOLDING FORCEPS**  
**13-0705**  
200 mm



**HEYWOOD-SMITH MODIF,  
SPONGE HOLDING**  
**13-0710**  
215 mm



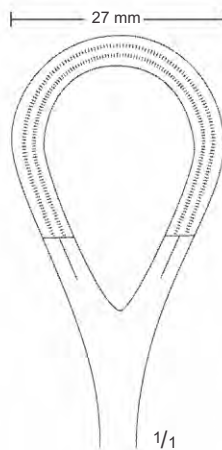
**13-0715**  
250 mm



**13-0720**  
STR



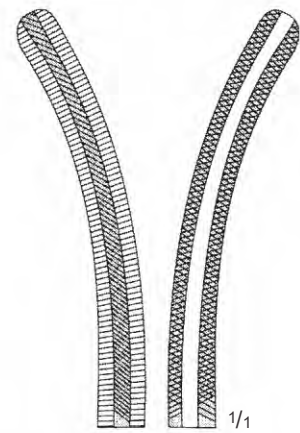
**ATRAUMATA**  
POLYPUS OVUM FORCEPS



**13-0716**  
270 mm



**FERGUSSON**  
HAEMORRHOIDAL FORCEPS  
200 mm



**13-0721**  
CVD





**RUDD, HAEMORRHOIDAL LIGATOR**  
with 100 ligature rubber rings  
**13-0725**  
315 mm



**MC GIVENEY HAEMORRHOIDAL  
FORCEPS**  
**13-0730**  
185 mm



**SOFT TECH  
SURGICAL**

# **General Surgery**


## **Instruments Catalogue**

### **SOFT TECH Surgical**

Muslim Town, Airport Road  
Kotli Behram, Sialkot 51310  
Pakistan.

Email : [info@softtechsurgical.com](mailto:info@softtechsurgical.com)  
Website : [www.softtechsurgical.com](http://www.softtechsurgical.com)

Phone : +92 52 3573488  
+92 52 3242929  
+92 52 4264934  
Fax : +92 52 3242929

 +92 336 4770459