



SOFT TECH
SURGICAL

12

Self Retaining
&
Abdominal
Retractors



SOFT TECH Surgical, Manufacturer & Exporter of Quality Instruments



**BOSE SELF RETAINING
RETRACTOR**
12-0100
60 mm



**FINSEN SELF RETAINING
RETRACTOR**
12-0105
150 mm



**FINSEN SELF RETAINING
RETRACTOR**
12-0110
70 mm



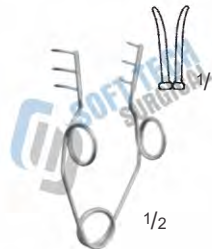
**FINSEN SELF RETAINING
RETRACTOR**
12-0115
75 mm



**FINSEN SELF RETAINING
RETRACTOR**
12-0120
70 mm



**SELF RETAINING
RETRACTOR FAT
RETRACTOR**
12-0125
45 mm



**SELF RETAINING
RETRACTOR FAT
RETRACTOR**
12-0130
55 mm



**PARSONNET SELF-
RETAINING
RETRACTOR**
12-0135
50 mm



**SELF RETAINING
RETRACTOR BLUNT**
12-0140
100 mm



**SELF-RETAINING
RETRACTOR 4X4 SHARP
PRONGS**
12-0145
100 mm



**ALM SELF RETAINING
RETRACTOR BLUNT**

12-0150
70 mm

12-0151
100 mm



**LOGAN SELF RETAINING
RETRACTOR SEMI-SHARP**
12-0155
50 mm



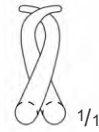
ALLPORT SELF
RETAINING
RETRACTOR SHARP
12-0160
95 mm



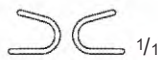
JANSEN SELF RETAINING
RETRACTOR SEMI-SHARP
12-0165
100 mm



JANSEN SELF RETAINING
RETRACTOR BLUNT
12-0170
100 mm



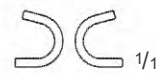
JANSEN SELF RETAINING
RETRACTOR BLUNT
12-0175
100 mm



BARRAQUER EYE
SPECULA
12-0180
45 mm

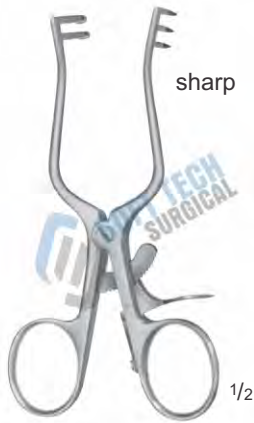
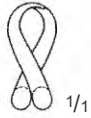


SAUER EYE SPECULA
12-0185
35 mm

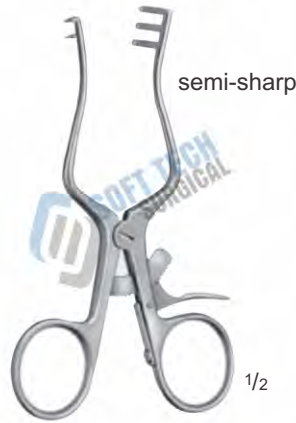


LANCASTER EYE
SPECULA
12-0190
80 mm

SOFT TECH Surgical, Manufacturer & Exporter of Quality Instruments



WEITLANER SELF
RETAINING RETRACTOR
12-0195
110 mm



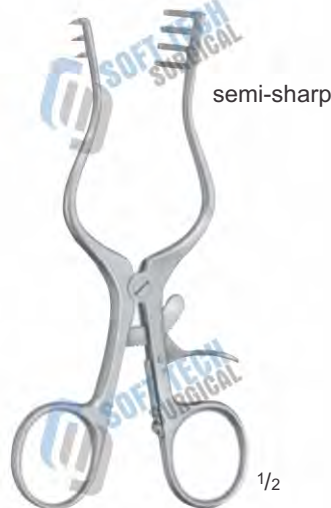
WEITLANER SELF
RETAINING RETRACTOR
12-0200
110 mm



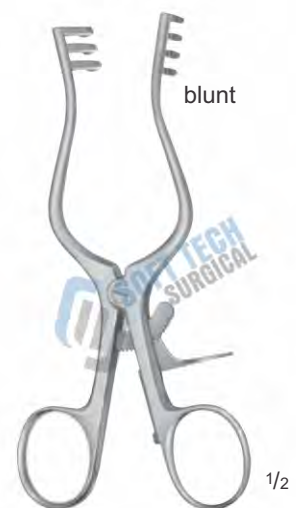
WEITLANER SELF
RETAINING RETRACTOR
12-0205
110 mm



WEITLANER SELF
RETAINING RETRACTOR
12-0210
130 mm



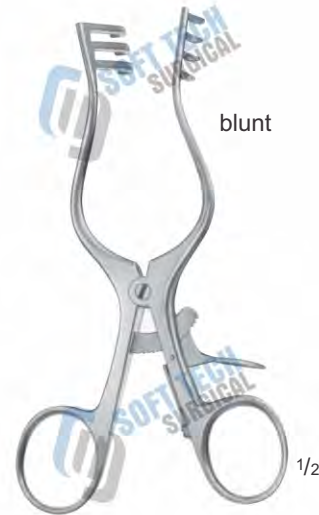
WEITLANER SELF
RETAINING RETRACTOR
12-0215
130 mm



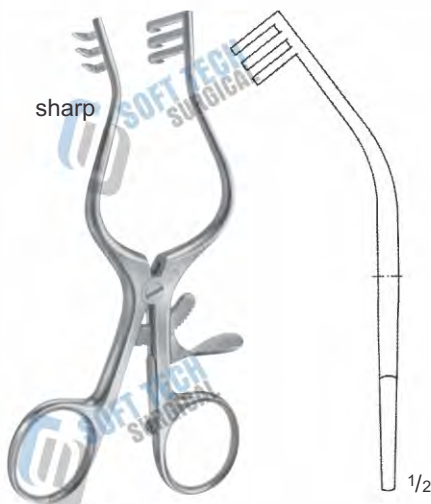
WEITLANER SELF
RETAINING RETRACTOR
12-0220
130 mm



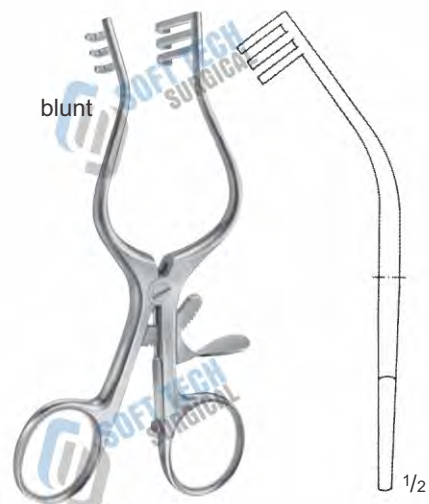
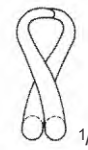
**WEITLANER SELF
RETAINING RETRACTOR**
12-0225
130 mm



**WEITLANER SELF
RETAINING RETRACTOR**
12-0230
130 mm



**WULLSTEIN SELF
RETAINING RETRACTOR**
12-0235
130 mm



**WULLSTEIN SELF
RETAINING RETRACTOR**
12-0240
130 mm

SOFT TECH Surgical, Manufacturer & Exporter of Quality Instruments



**WEITLANER SELF
RETAINING RETRACTOR**
12-0245
165 mm



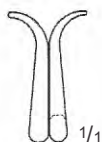
**WEITLANER SELF
RETAINING RETRACTOR**
12-0250
165 mm



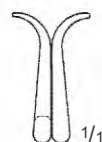
**WEITLANER SELF
RETAINING RETRACTOR**
12-0255
165 mm



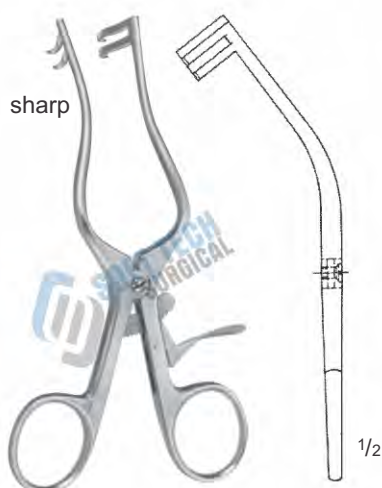
12-0260
**ALLENBERG CAROTIS RETRACTOR
WITH MIDDLE BLADE**
12-0261 Retractor only, blunt, 170 mm
12-0262 Center blade only, 120 mm



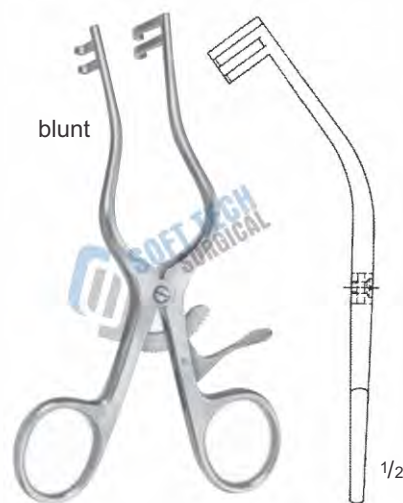
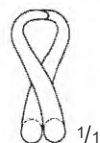
PLESTER SELF RETAINING
RETRACTOR SOLID
BLADE LEFT
12-0265
110 mm



PLESTER SELF RETAINING
RETRACTOR SOLID
BLADE RIGHT
12-0270
110 mm



PLESTER SELF RETAINING
RETRACTOR
12-0275
130 mm

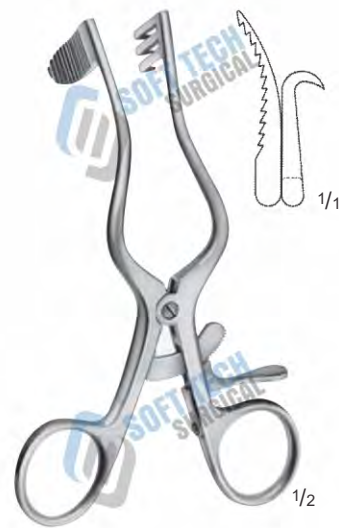


PLESTER SELF RETAINING
RETRACTOR
12-0280
130 mm

SOFT TECH Surgical, Manufacturer & Exporter of Quality Instruments



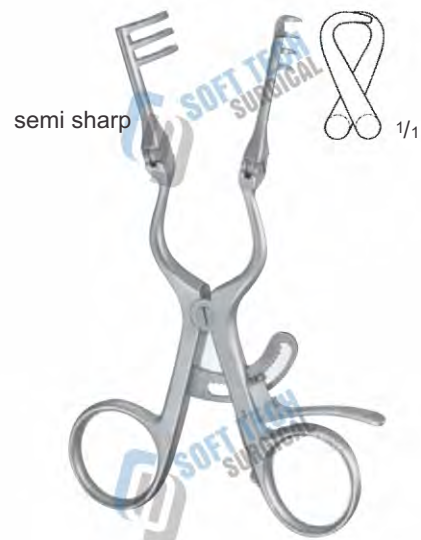
PERKINS SELF RETAINING
RETRACTOR SOLID BLADE RIGHT
12-0285
130 mm



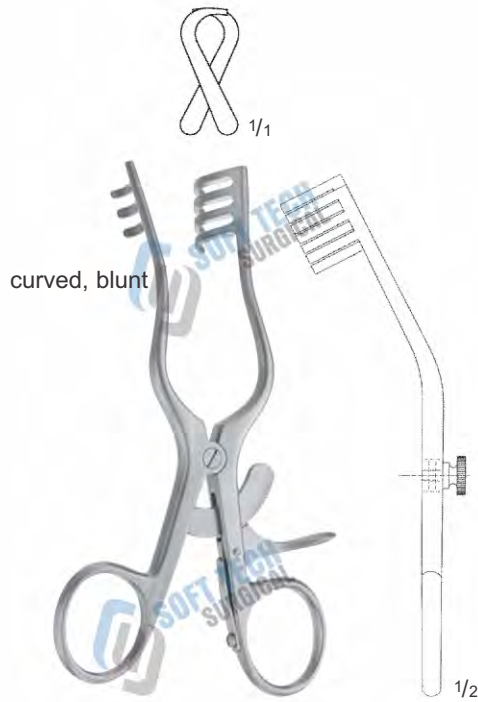
PERKINS SELF RETAINING
RETRACTOR SOLID BLADE LEFT
12-0290
130 mm



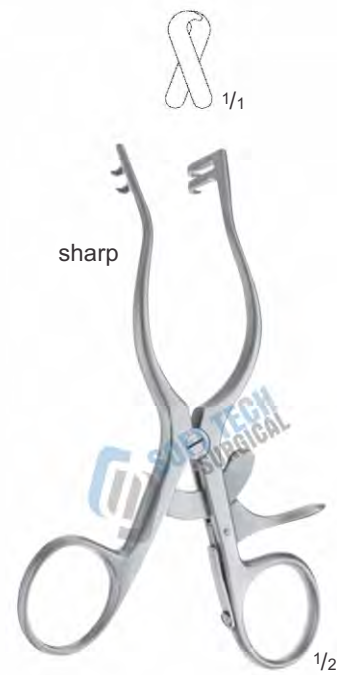
RNTNE HOSPITAL SELF
RETAINING RETRACTOR
12-0295
165 mm



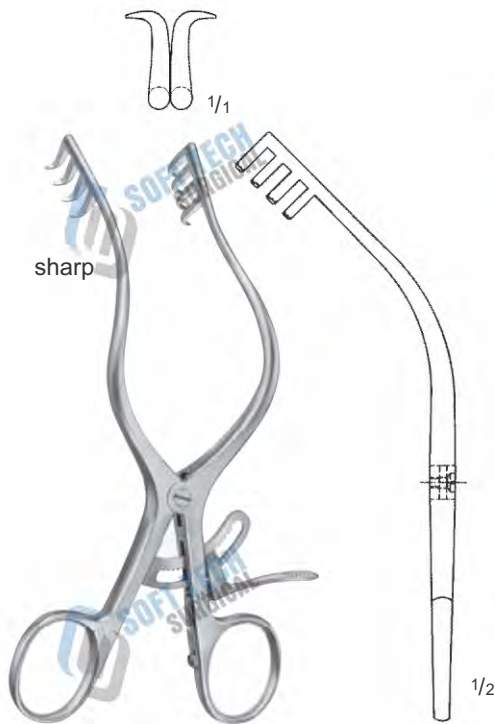
BABY ADSON SELF RETAINING
RETRACTOR WITH JOINT
12-0300 140 mm
12-0301 165 mm



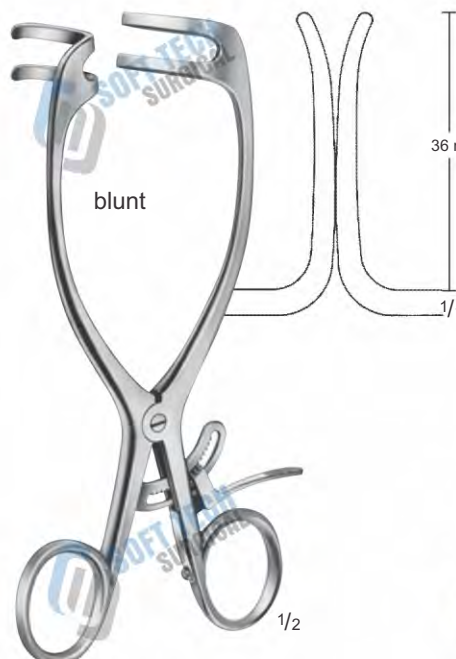
JEFFERSON SELF RETAINING
RETRACTOR CURVED
12-0305
140 mm



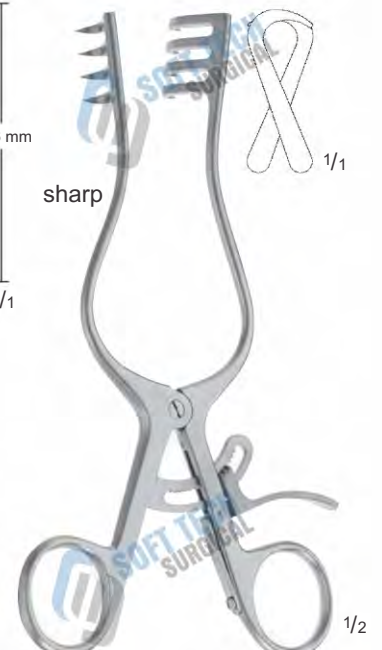
MOLLISON SELF RETAINING
RETRACTOR
12-0310
140 mm



MOLLISON SELF
RETAINING RETRACTOR
12-0315
155 mm



MAYO-ADAMS SELF
RETAINING RETRACTOR
12-0320
165 mm



HENDERSON SELF
RETAINING RETRACTOR
12-0325
180 mm

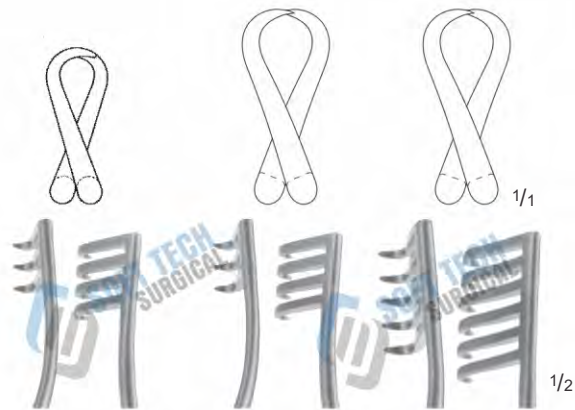
SOFT TECH Surgical, Manufacturer & Exporter of Quality Instruments



12-0330
sharp
195 mm

12-0331
sharp
240 mm

12-0332
sharp
255 mm



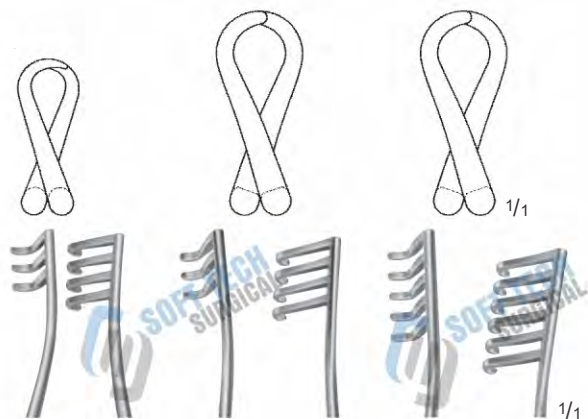
12-0340
semi-sharp
195 mm

12-0341
semi-sharp
240 mm

12-0342
semi-sharp
255 mm



WEITLANER SELF-RETAINING RETRACTOR



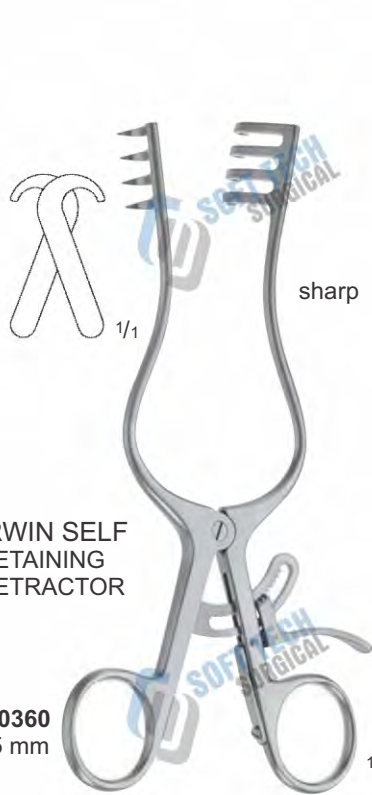
12-0350
blunt
195 mm

12-0351
blunt
240 mm

12-0352
blunt
255 mm

General Surgery
Instruments
Self-Retaining
Laminectomy Retractors

SOFT TECH Surgical, Manufacturer & Exporter of Quality Instruments



IRWIN SELF
RETAINING
RETRACTOR

12-0360
175 mm



TRAVES SELF
RETAINING
RETRACTOR

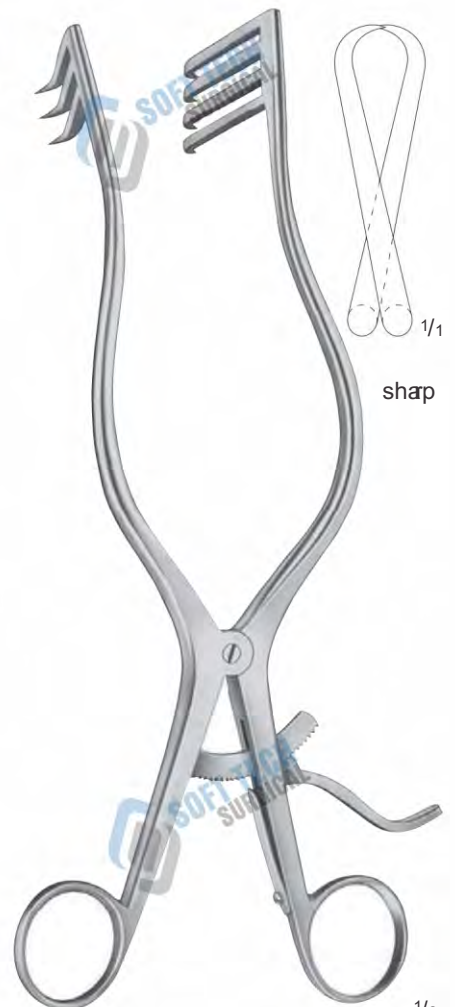
12-0361
215 mm
1/2



ANDERSON-ADSON SELF
RETAINING RETRACTOR
12-0365
190 mm



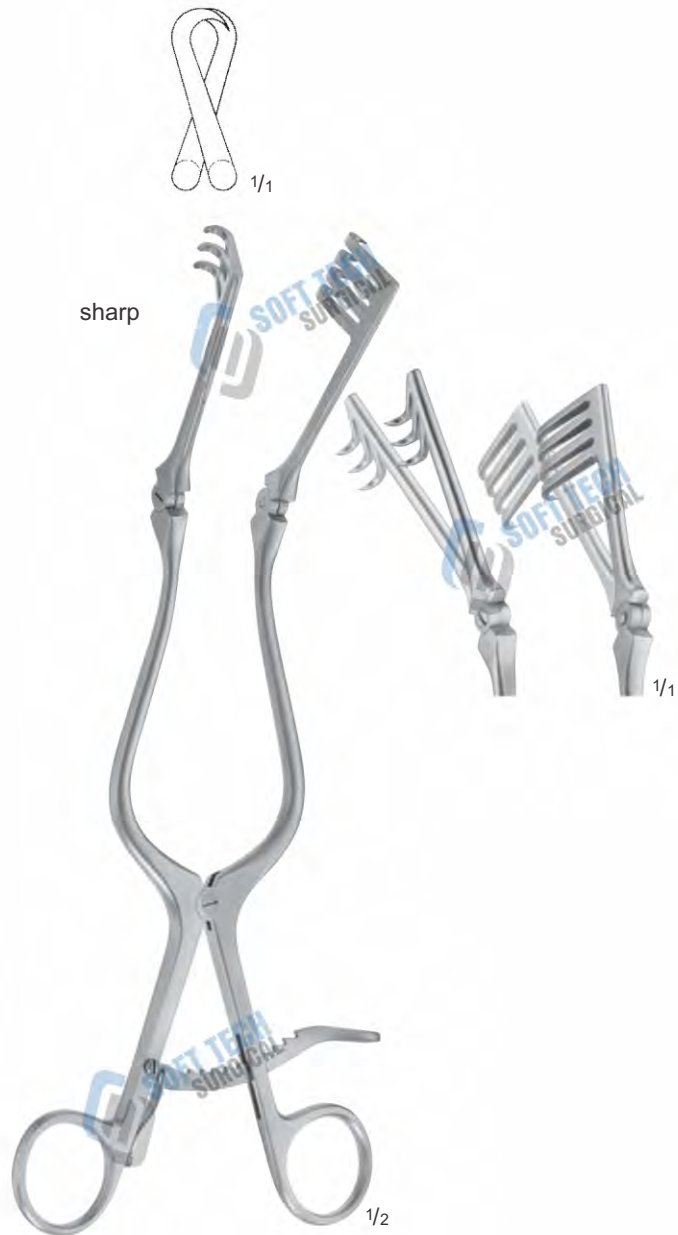
NORFOLK-NORWICH
SELF RETAINING
RETRACTOR
12-0370
220 mm



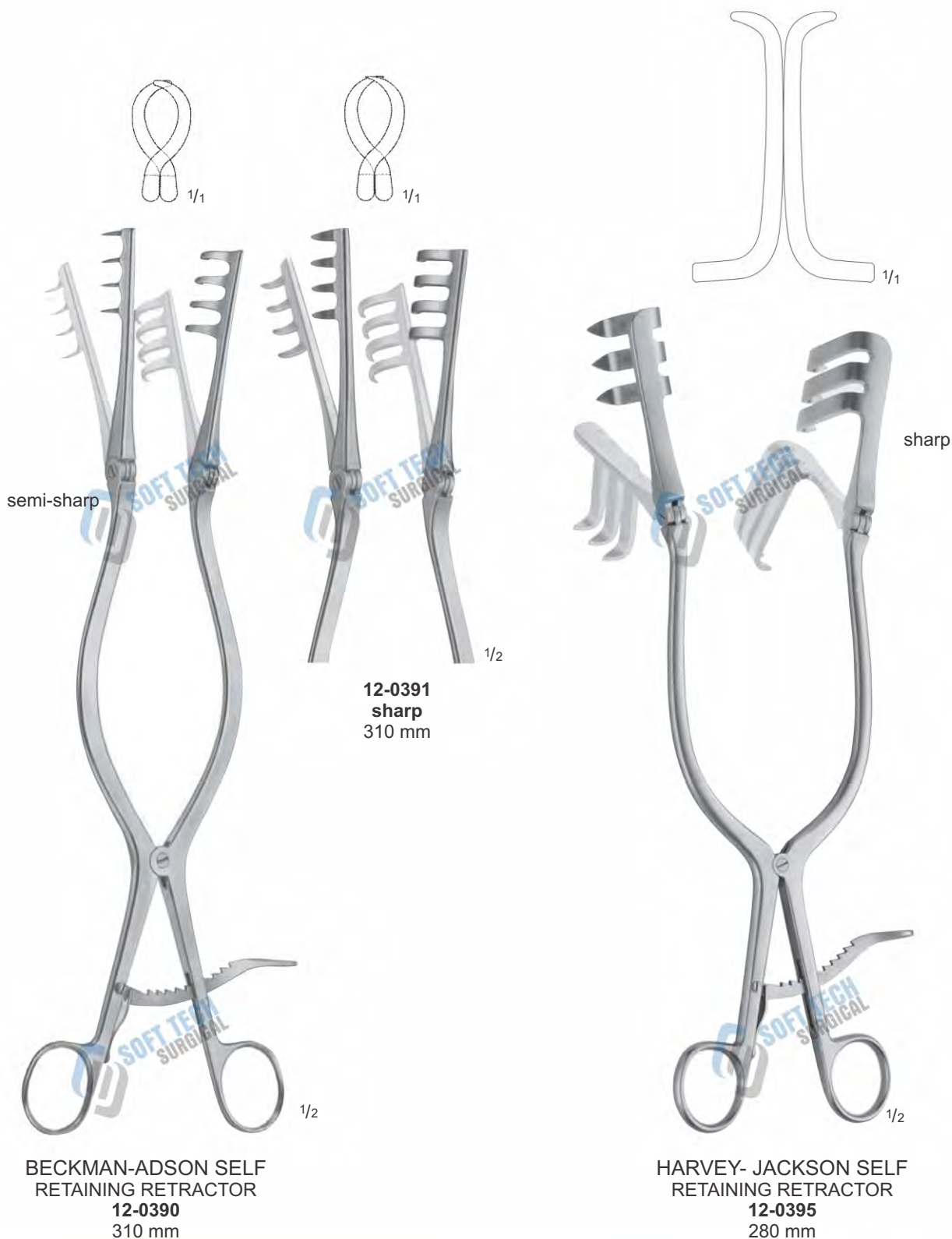
ADSON LAMINECTOMY RETRACTOR
12-0375
265 mm



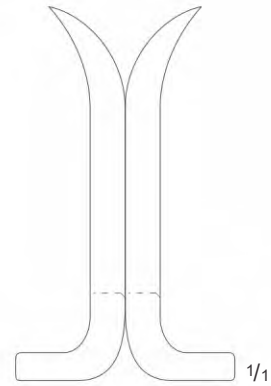
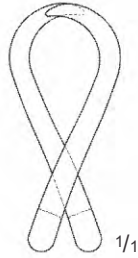
12-0380
HEMI-LAMINECTOMY
RETRACTOR
280 mm



12-0385
CONE LAMINECTOMY
RETRACTOR
265 mm



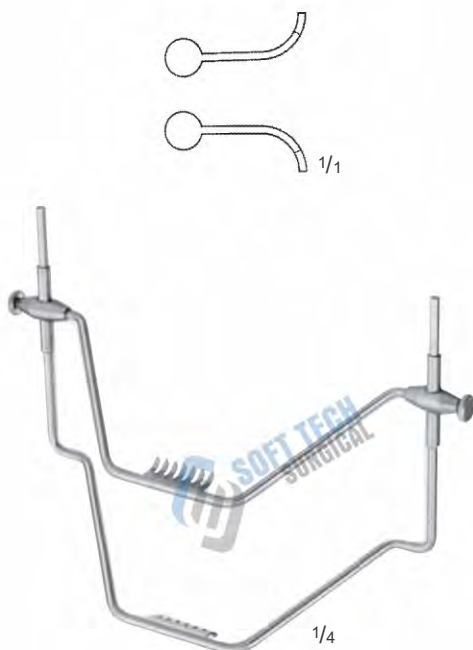
SOFT TECH Surgical, Manufacturer & Exporter of Quality Instruments



ADSON LAMINECTOMY RETRACTOR
12-0400
320 mm



**BECKMAN- EATON LAMINECTOMY
RETRACTOR**
12-0405
320 mm



12-0410
THYROID RETRACTOR
Tip 7 Prong,
Length 267 mm



JOLL THYROID RETRACTOR AND
VAGINAL RETRACTOR
12-0415
155 mm



JACKSON-BURROWS
RETRACTOR BLUNT
12-0420
185 mm

SOFT TECH Surgical, Manufacturer & Exporter of Quality Instruments



**GELPI VAGINAL
RETRACTOR**
12-0425
135 mm



**GELPI VAGINAL
RETRACTOR**
12-0430
175 mm



**DE BAKEY FEMUR
RETRACTOR FOR
CHILDREN**
12-0435
100 mm



**DE BAKEY FEMUR
RETRACTOR**
12-0440
145 mm



TROUSSEAU TRACHEAL
DILATOR
12-0445
120 mm



LABORDE TRACHEAL DILATOR
WITH THREE BLADES
12-0450
125 mm



LABORDE TRACHEAL DILATOR
TRONG PATTERN
WITH THREE BLADES
12-0455
135 mm

SOFT TECH Surgical, Manufacturer & Exporter of Quality Instruments



**ALLENBERG ILIAC RETRACTOR
12-0460 WITH 2 BLADES SET**

- 12-0461** Retractor only
- 12-0462** Retractor blade lateral
- 12-0463** Retractor blade medial



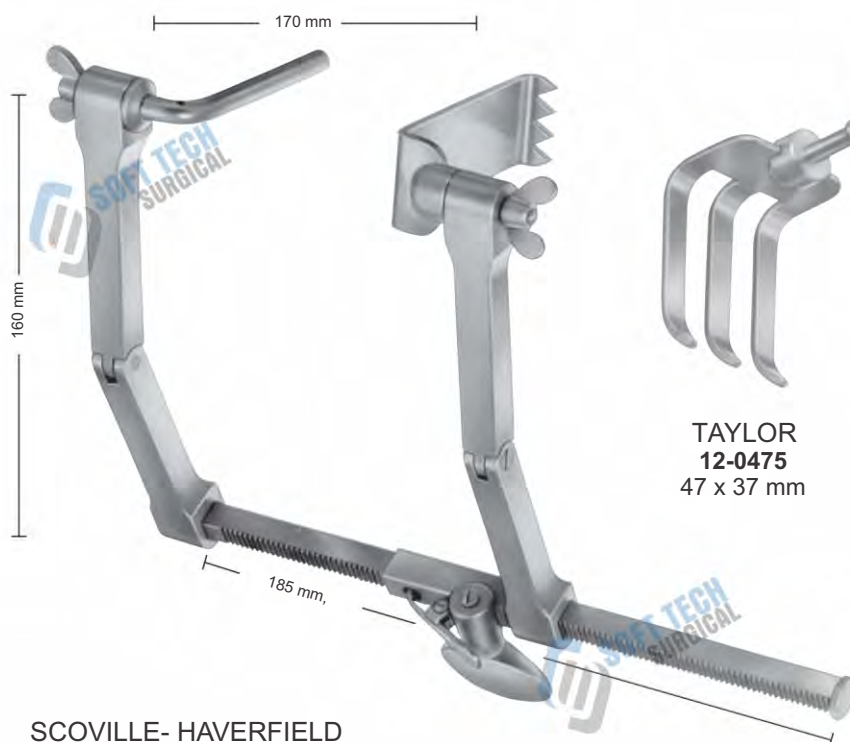
**ALLENBERG, FORCEPS
FOR CHANGING THE
BLADES
12-0465
130 mm**



SCOVILLE
12-0472
55 mm



SCOVILLE
12-0473 63 x 25 mm
12-0474 63 x 51 mm



SCOVILLE- HAVERFIELD
HEMILAMINECTOMY RETRACTOR

12-0470

Retractor complete,
consisting of:

- 12-0471 Frame only
- 12-0472 Hook
- 12-0473 Blade

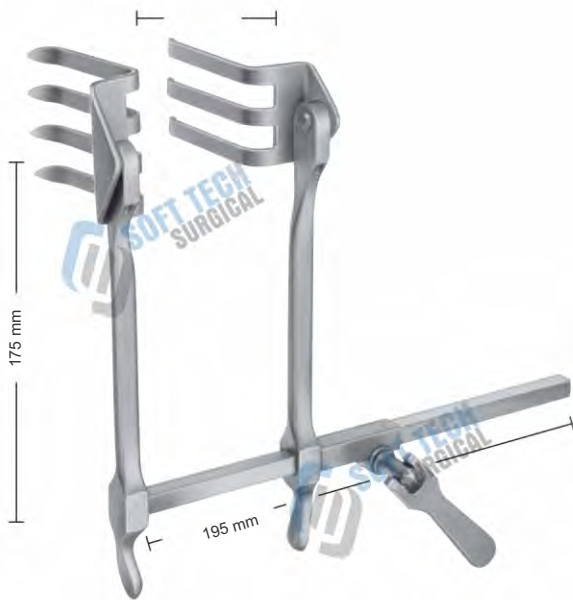


TAYLOR
12-0475
47 x 37 mm



TAYLOR
12-0476
62 x 52 mm

SOFT TECH Surgical, Manufacturer & Exporter of Quality Instruments



12-0480 (Complete with 5 blades)
**SCOVILLE- RICHTER SELF
RETAINING RETRACTOR**
12-0481 Retractor only



12-0482
4 Prongs
62 x 52 mm



12-0483
3 Prongs
62 x 37 mm



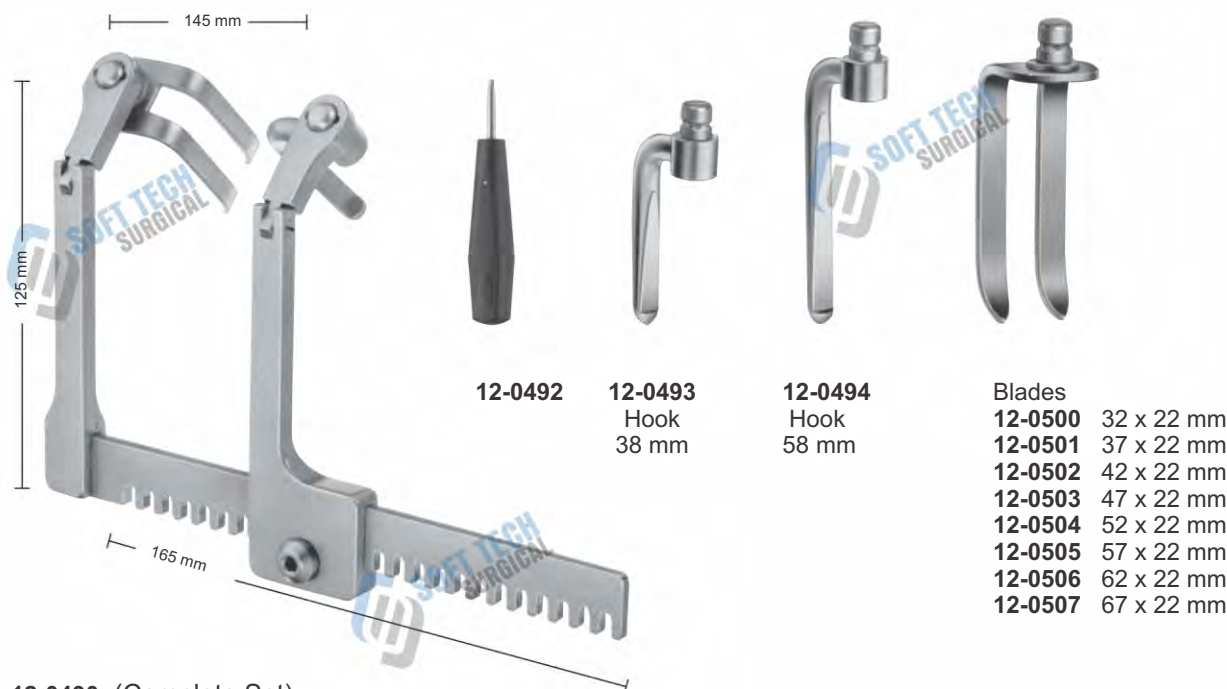
12-0484
47 x 51 mm



12-0485
30 x 40 mm



12-0486
37 x 62 mm



12-0490 (Complete Set)

CASPAR RETRACTOR

12-0491 Retractor only, with key **12-0492**



Blades		Blades	
12-0510	32 x 37 mm	12-0520	32 x 52 mm
12-0511	37 x 37 mm	12-0521	37 x 52 mm
12-0512	42 x 37 mm	12-0522	42 x 52 mm
12-0513	47 x 37 mm	12-0523	47 x 52 mm
12-0514	52 x 37 mm	12-0524	52 x 52 mm
12-0515	57 x 37 mm	12-0525	57 x 52 mm
12-0516	62 x 37 mm	12-0526	62 x 52 mm
12-0517	67 x 37 mm	12-0527	67 x 52 mm

SOFT TECH Surgical, Manufacturer & Exporter of Quality Instruments



CLOWARD MODIF. RETRACTOR

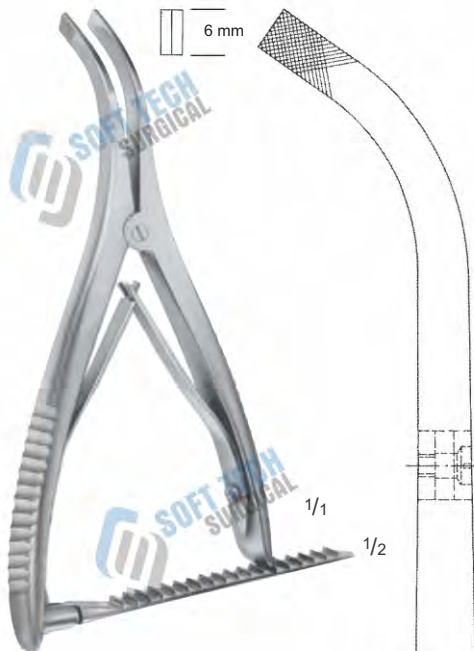
- 12-0530** complete set (Containing with 10 Blades)
- 12-0531** Spreader only



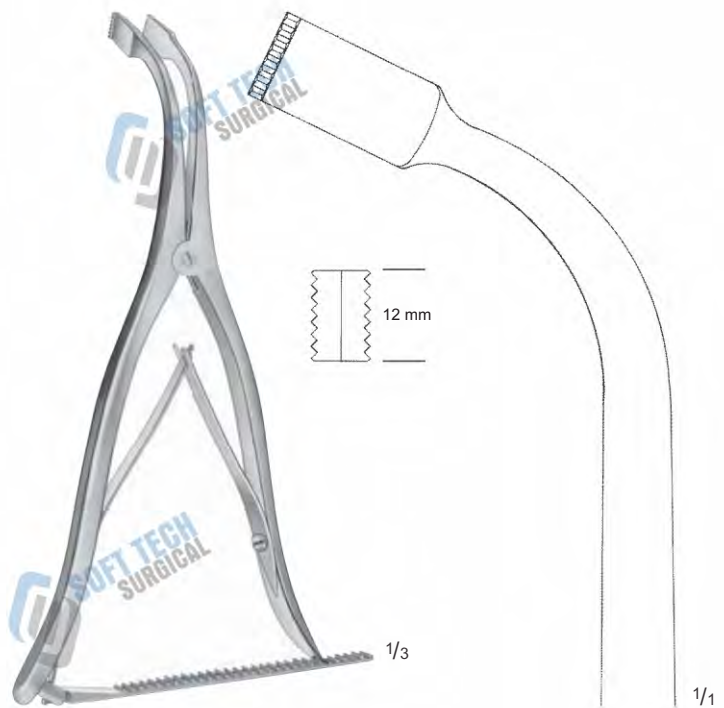
CLOWARD LAMINA SPREADER
12-0560
155 mm



CLOWARD LAMINA SPREADER
12-0565
135 mm



INGE LAMINA SPREADER
12-0570
170 mm



INGE LAMINA SPREADER
12-0575
275 mm

SOFT TECH Surgical, Manufacturer & Exporter of Quality Instruments



12-0580
BABY-COLLIN
ABDOMINAL
RETRACTOR
COMPLETE

- 12-0581** Spreader only
12-0582 Blades (pair)
18 x 42 mm

12-0583 Blades (pair)
28 x 42 mm



12-0590
COLLIN
ABDOMINAL
RETRACTOR
COMPLETE

- 12-0591** Spreader only
12-0592 Blades (pair)

12-0601 135mm
12-0611 160mm



COLLIN ABDOMINAL
RETRACTOR



COLLIN ABDOMINAL
RETRACTOR

complete	12-0600	12-0610	12-0620
Spreader only	12-0601	12-0611	12-0621
Lateral blades (pair)	12-0602	12-0612	12-0622
	37 x 62 mm	37 x 80 mm	37 x 98 mm
Center blade	12-0605	12-0615	12-0625
	54 x 55 mm	54 x 67 mm	52 x 76 mm

complete	12-0630	12-0640
Spreader only	12-0631	12-0641
Lateral blades (pair)	12-0632	12-0642
	48 x 59 mm	61 x 80 mm
Center blade	12-0635	12-0645
	63 x 74 mm	63 x 74 mm



RICARD ABDOMINAL
RETRACTOR

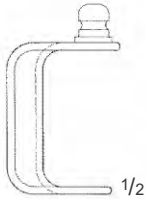
complete	12-0650	12-0660
Spreader only	12-0651	12-0661
Lateral blades (pair)	12-0652	12-0662
	58 x 80 mm	72 x 84 mm
Center blade	12-0655	12-0665
	54 x 70 mm	72 x 90 mm



HOLZBACH ABDOMINAL
RETRACTOR

complete	12-0670
Lateral blades (pair)	12-0672
	59 x 80 mm
Center blade	12-0675
	74 x 82 mm

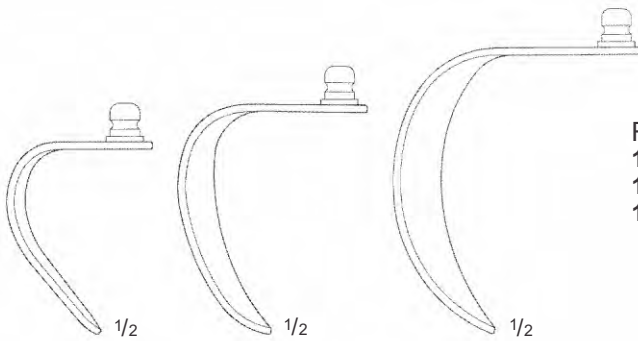
SOFT TECH Surgical, Manufacturer & Exporter of Quality Instruments



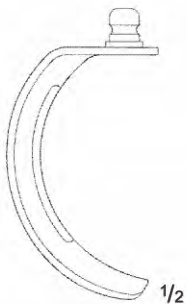
RETRACTOR BLADE
12-0602 37 x 62 mm
12-0612 37 x 80 mm
12-0622 37 x 98 mm



RETRACTOR BLADE
12-0642 61 x 80 mm



RETRACTOR BLADE
12-0632 48 x 59 mm
12-0652 58 x 80 mm
12-0662 72 x 84 mm

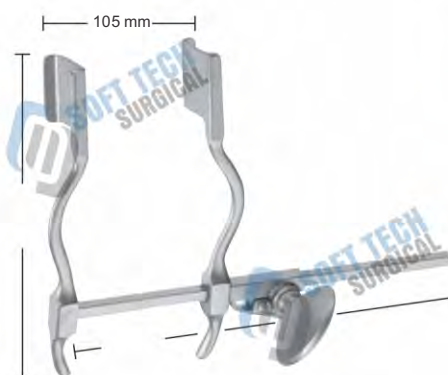


RETRACTOR BLADE
12-0672 59 x 80 mm

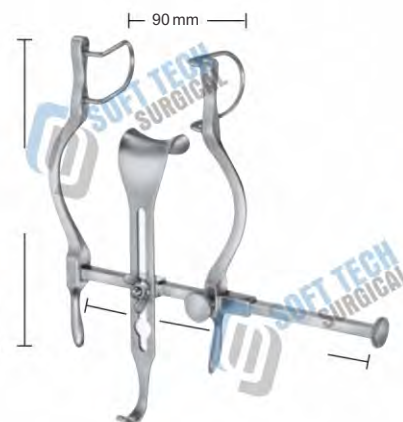




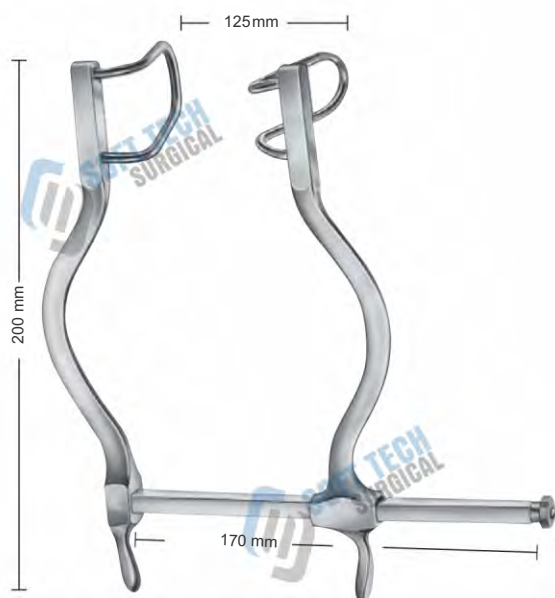
12-0680
GOSSET ABDOMINAL
RETRACTOR SMALL,
38 mm DEEP



12-0685
HERTZLER SELF RETAINING
RETRACTOR RIB SPREADER
Blades 20 x 25 mm



12-0690
BALFOUR- BABY
ABDOMINAL RETRACTOR
Lateral blades 27 mm deep
Center blade 21 x 24 mm



12-0695
GOSSET ABDOMINAL
RETRACTOR MEDIUM
Blades: 55 mm deep



12-0700
GOSSET ABDOMINAL
RETRACTOR LARGE
Lateral blades 58 mm deep
Center blade 59 x 57 mm

SOFT TECH Surgical, Manufacturer & Exporter of Quality Instruments

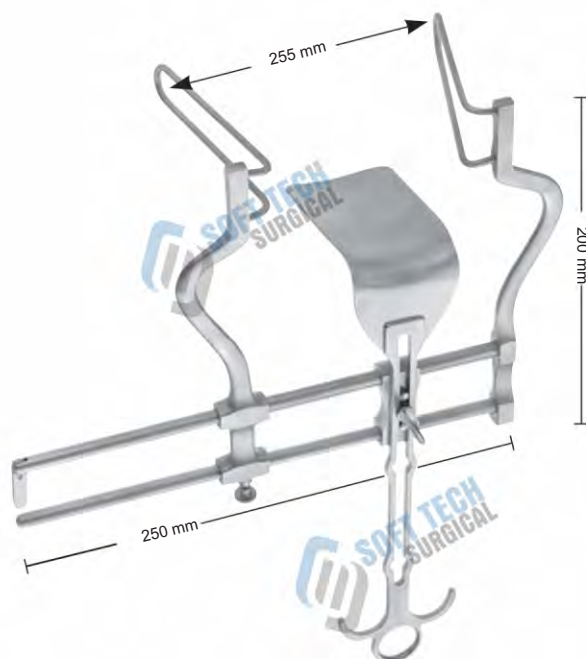


12-0705
BALFOUR ABDOMINAL
RETRACTOR
Lateral blade 60 mm deep
Center blade 47 x 80 mm



12-0710
BALFOUR ABDOMINAL
RETRACTOR
LATERAL BLADES 60 mm DEEP
CENTER BLADE 62 x 76 mm
200 mm x 250 mm

12-0715
BALFOUR ABDOMINAL
RETRACTOR
LATERAL BLADES 90 mm DEEP
CENTER BLADE 80 x 80 mm
200 mm x 270 mm



12-0720
BALFOUR ABDOMINAL
RETRACTOR
LATERAL BLADES 105 mm DEEP
CENTER BLADE 107 x 59 mm
200 mm x 250 mm

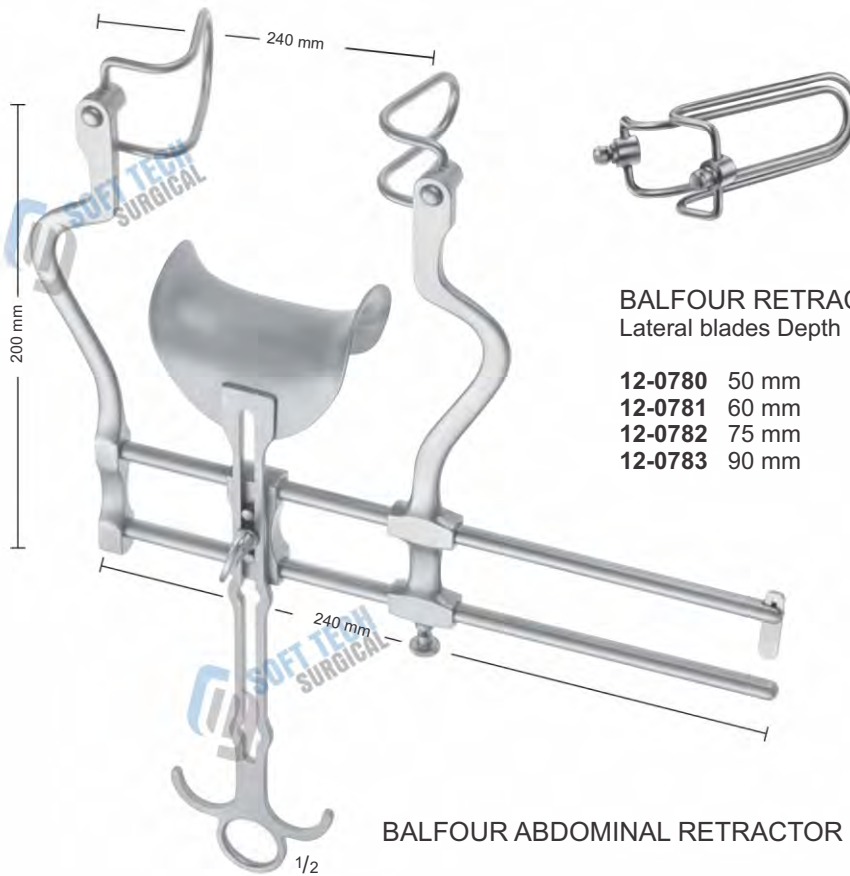


12-0725
BALFOUR RETRACTOR
CENTER BLADE
54 x 80 mm



12-0730
BALFOUR RETRACTOR
CENTER BLADE SLOTTED
75 x 80 mm

SOFT TECH Surgical, Manufacturer & Exporter of Quality Instruments



BALFOUR RETRACTOR BLADES PAIR
Lateral blades Depth

12-0780	50 mm
12-0781	60 mm
12-0782	75 mm
12-0783	90 mm

BALFOUR ABDOMINAL RETRACTOR

complete	12-0740	12-0750	12-0760	12-0770
Spreader only	12-0741	12-0751	12-0761	12-0771
Center blade	12-0742	12-0752	12-0762	12-0772
	47 x 80 mm	62 x 76 mm	80 x 80 mm	80 x 80 mm



12-0790
GOLIGHER ABDOMINAL
RETRACTOR

Center blade 51 mm deep
Center blade 102 mm deep
Lateral blades (pair) 51 mm deep
Lateral blades (pair) 102 mm deep



12-0800
O'SULLIVAN-O'CONNOR
ABDOMINAL RETRACTOR FRAME

- 12-0801** 1 Retractor Frame
- 12-0805** 2 Blades
- 12-0806** 1 Blade

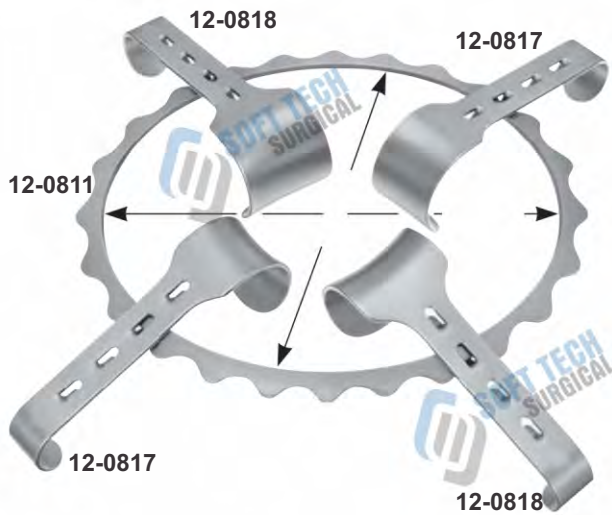


O'SULLIVAN-O'CONNOR
RETRACTOR
12-0805
small blade



O'SULLIVAN-O'CONNOR
RETRACTOR
12-0806
large blade

SOFT TECH Surgical, Manufacturer & Exporter of Quality Instruments



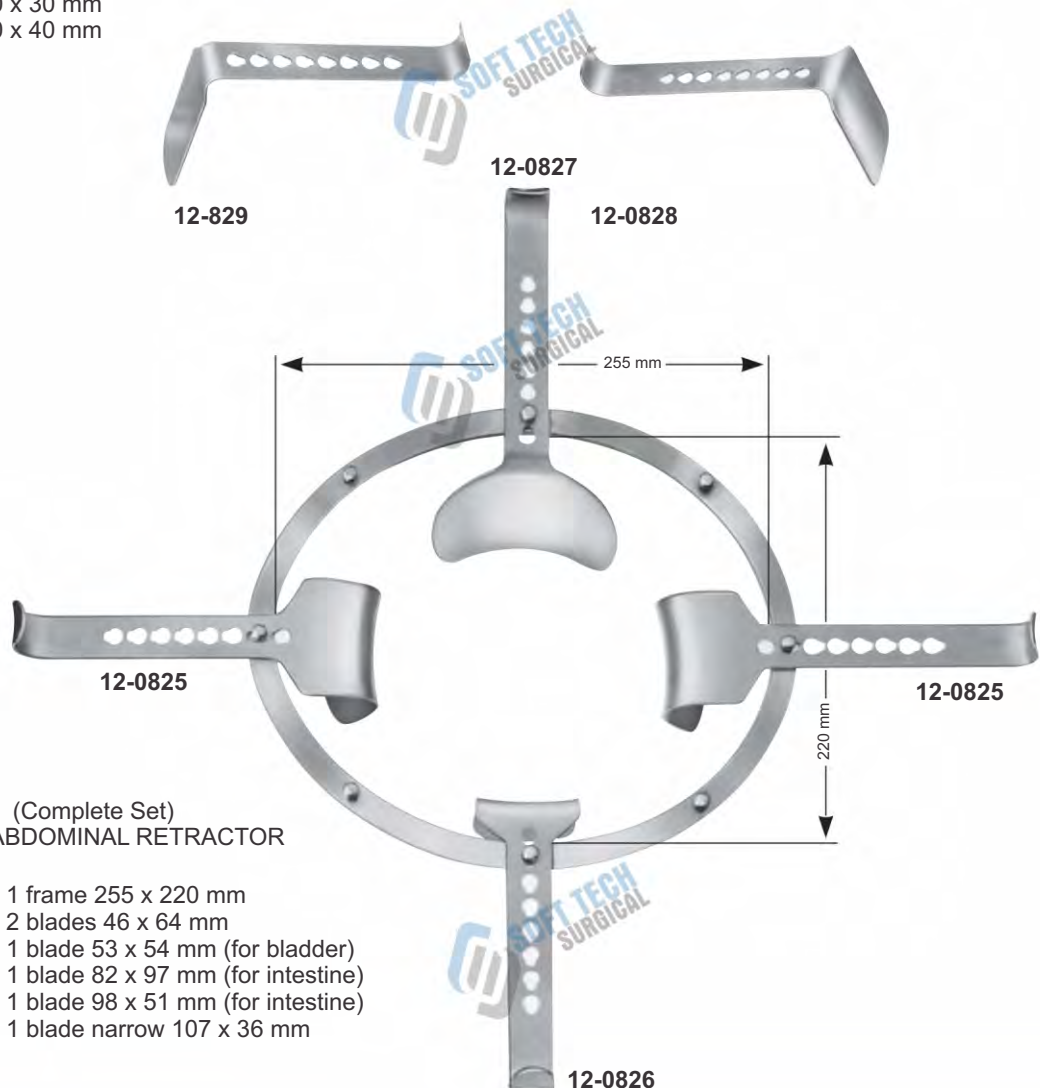
12-0815
DENNIS- BROWNE
RETRACTOR BLADE
20 x 30 mm



12-0816
DENNIS- BROWNE
RETRACTOR BLADE
20 x 40 mm

12-0810
DENNIS- BROWNE
ABDOMINAL RETRACTOR

- 12-0811** 1 frame 175 x 150 mm
- 12-0817** 2 blades only 40 x 30 mm
- 12-0818** 2 blades only 40 x 40 mm



12-0820 (Complete Set)
SEMM ABDOMINAL RETRACTOR

- 12-0821** 1 frame 255 x 220 mm
- 12-0825** 2 blades 46 x 64 mm
- 12-0826** 1 blade 53 x 54 mm (for bladder)
- 12-0827** 1 blade 82 x 97 mm (for intestine)
- 12-0828** 1 blade 98 x 51 mm (for intestine)
- 12-0829** 1 blade narrow 107 x 36 mm



12-0831

diam 7"

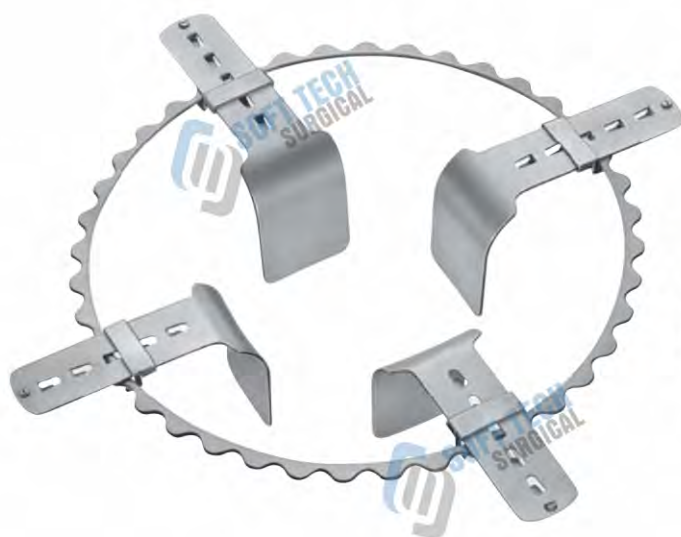
12-0832

diam. 9"

12-0833

diam. 12"

TURNER-WARWICK RETRACTOR FRAME



12-0830 (Complete Set)
TURNER- WARWICK ABDOMINAL
RETRACTOR



12-0834
TURNER- WARWIK
FRAME
457 x 330 mm,

12-0831 - 12-0833 1 Frame of each
12-0840 - 12-0843 2 Retractor blades of each
12-0844 - 12-0845 2 Abdominal retractors of each
12-0846 - 12-0847 2 Abdominal retractors of each
12-0848 2 Retractor blade single hooks

SOFT TECH Surgical, Manufacturer & Exporter of Quality Instruments

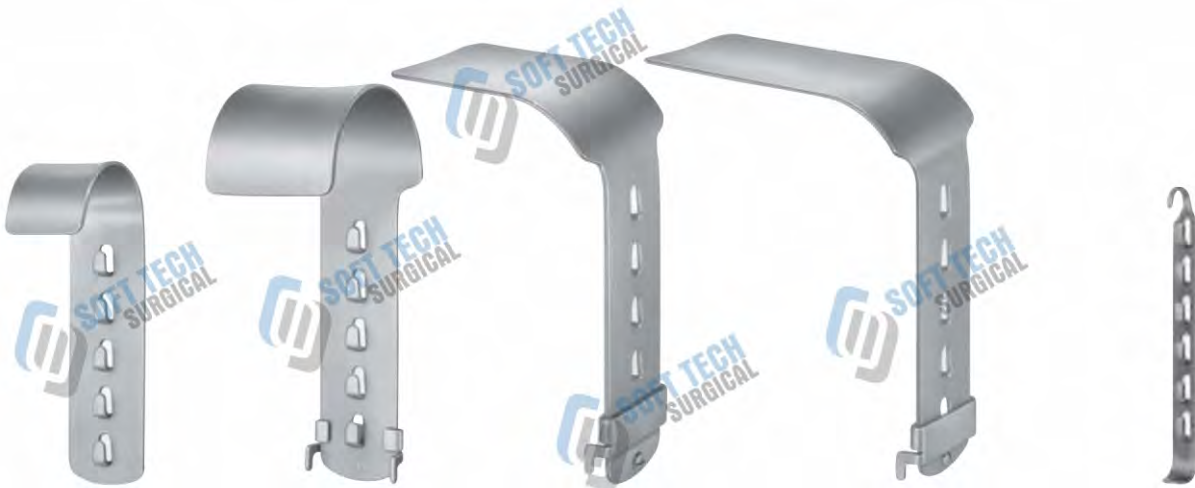


12-0840
TURNER-WARWICK
ABDOMINAL SPATULA
76 x 19 MM, MALLEABLE

12-0841
TURNER-WARWICK
ABDOMINAL SPATULA
102 x 38 MM, MALLEABLE

12-0842
TURNER-WARWICK
ABDOMINAL SPATULA
89 x 57 MM, MALLEABLE

12-0843
TURNER-WARWICK
ABDOMINAL SPATULA
114 x 57 MM, MALLEABLE



12-0844
TURNER- WARWIK
RETRACTOR BLADE
51 x 38 mm

12-0845
TURNER- WARWIK
RETRACTOR BLADE
76 x 60 mm

12-0846
TURNER- WARWIK
RETRACTOR BLADE
89 x 60 mm

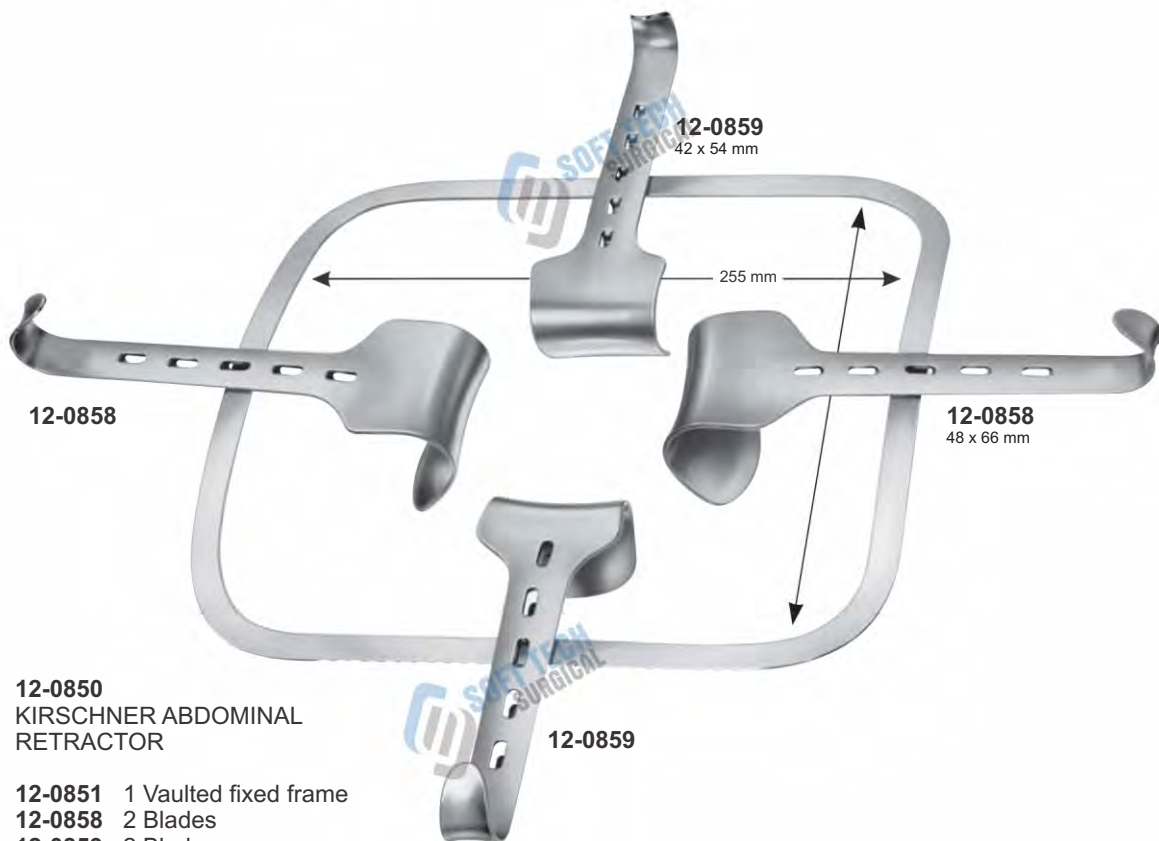
12-0847
TURNER- WARWIK
RETRACTOR BLADE
114 x 60 mm

12-0848
TURNER- WARWIK
RETRACTOR BLADE
HOOK
13 mm deep



12-0852
KIRSCHNER FOLDING
FRAME only

- 12-0853** 1 Holding frame
- 12-0858** 2 Blades
- 12-0859** 2 Blades



12-0850
KIRSCHNER ABDOMINAL
RETRACTOR

- 12-0851** 1 Vaulted fixed frame
- 12-0858** 2 Blades
- 12-0859** 2 Blades

12-0854
KIRSCHNER
FRAME only
275 x 355 mm

12-0855
KIRSCHNER
FRAME only
295 x 275 mm

SOFT TECH Surgical, Manufacturer & Exporter of Quality Instruments



12-0860
KIRSCHNER
RETRACTOR BLADE
64 x 80 mm



12-0862
KIRSCHNER- BALFOUR
RETRACTOR BLADE
80 x 82 mm



KIRSCHNER RETRACTOR BLADE

- 12-0864** 90 x 69 mm
- 12-0865** 95 x 95 mm
- 12-0866** 78 x 58 mm



KIRSCHNER RETRACTOR BLADE

- 12-0870** 108 x 42 mm
- 12-0872** 91 x 55 mm
- 12-0874** 120 x 55 mm



12-0880 (COMPLETE)
MILLIN BLADDER RETRACTOR

- 12-0885** Spreader only
- 12-0886** Blades 57 x 25 mm
- 12-0887** Blades 82 x 25 mm
- 12-0888** Center blade 105 x 45 mm

LEGUEU BLADDER
SPATULA
12-0890
260 mm



12-0905
RETRACTOR BLADE
(pair)
Blade, blunt, 60 x 50 mm
Blade, semi-sharp, 40 x 35 mm



12-0900 (COMPLETE)
POPLITEA RETRACTOR

12-0901 Retractor only
12-0905 Blades (pair)



**SOFT TECH
SURGICAL**


General Surgery Instruments Catalogue

SOFT TECH Surgical

Muslim Town, Airport Road
Kotli Behram, Sialkot 51310
Pakistan.

Email : info@softtechsurgical.com
Website : www.softtechsurgical.com

Phone : +92 52 3573488
+92 52 3242929
+92 52 4264934
Fax : +92 52 3242929

 +92 336 4770459